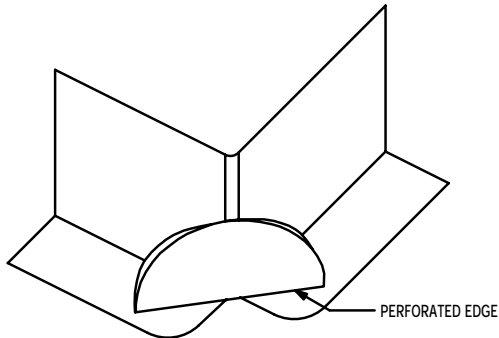


# EVERGUARD® EPDM TABLE OF CONTENTS

## SYSTEM DETAILS

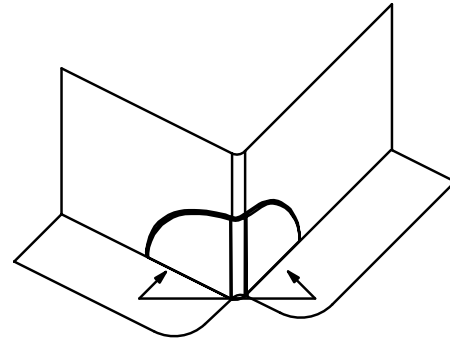
<b>Details No.</b>	<b>EverGuard EPDM</b>	<b>Systems</b>
	<b>Inside And Outside</b>	
EC-1	Outside Corner Using EverGuard EPDM Corner Flashing	All
EC-2	One Piece Wrap-Around Outside Corner	All
EC-3	Outside Corner	All
EC-4	Inside Corner Using EverGuard EPDM Corner Flashing	All
EC-5	Butt Joint Inside Corner For Parapet EPDM Wall Flashing	All
EC-6	Inside Corner For Parapet EPDM Wall Flashing	All
EC-7	Inside Corner With EPDM Wall Flashing	All
EC-8	EverGuard EPDM Curb Flashing	All

Step #1



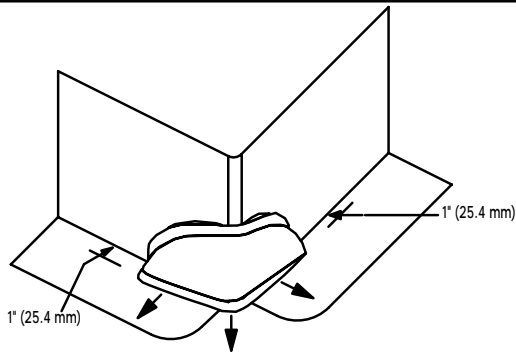
1. APPLY EVERGUARD EPDM PRIMER TO THE FLASHING AREA.
2. FOLD THE EVERGUARD EPDM CORNER FLASHING IN HALF SO THAT THE PERFORATED EDGE IS ON THE BOTTOM.
3. REMOVE THE SMALLER HALF OF THE RELEASE PAPER FROM THE OUTSIDE CORNER AND PLACE AGAINST VERTICAL FLASHING AS SHOWN.
4. PLACE THE RELEASE PAPER BETWEEN THE FOLDED FLASHING TO KEEP FLASHING FROM STICKING. THIS WILL AID IN STEPS 3 AND 4.

Step #2



1. STARTING FROM THE VERTICAL CENTER, MOLD EACH SIDE OF THE EVERGUARD EPDM CORNER FLASHING AROUND THE CORNER.

Step #3

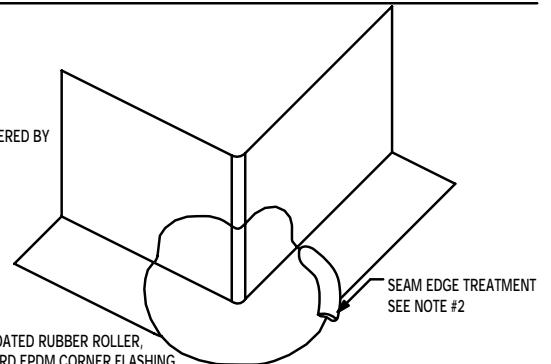


1. REMOVE THE RELEASE PAPER FROM THE EVERGUARD EPDM CORNER FLASHING.
2. PLACE YOUR HANDS ON THE FLASHING, PUSHING DOWN UNTIL THE FLASHING EXTENDS 1" (25.4 mm) ONTO ROOF SURFACE, AND TIGHTLY INTO THE 90° BREAK

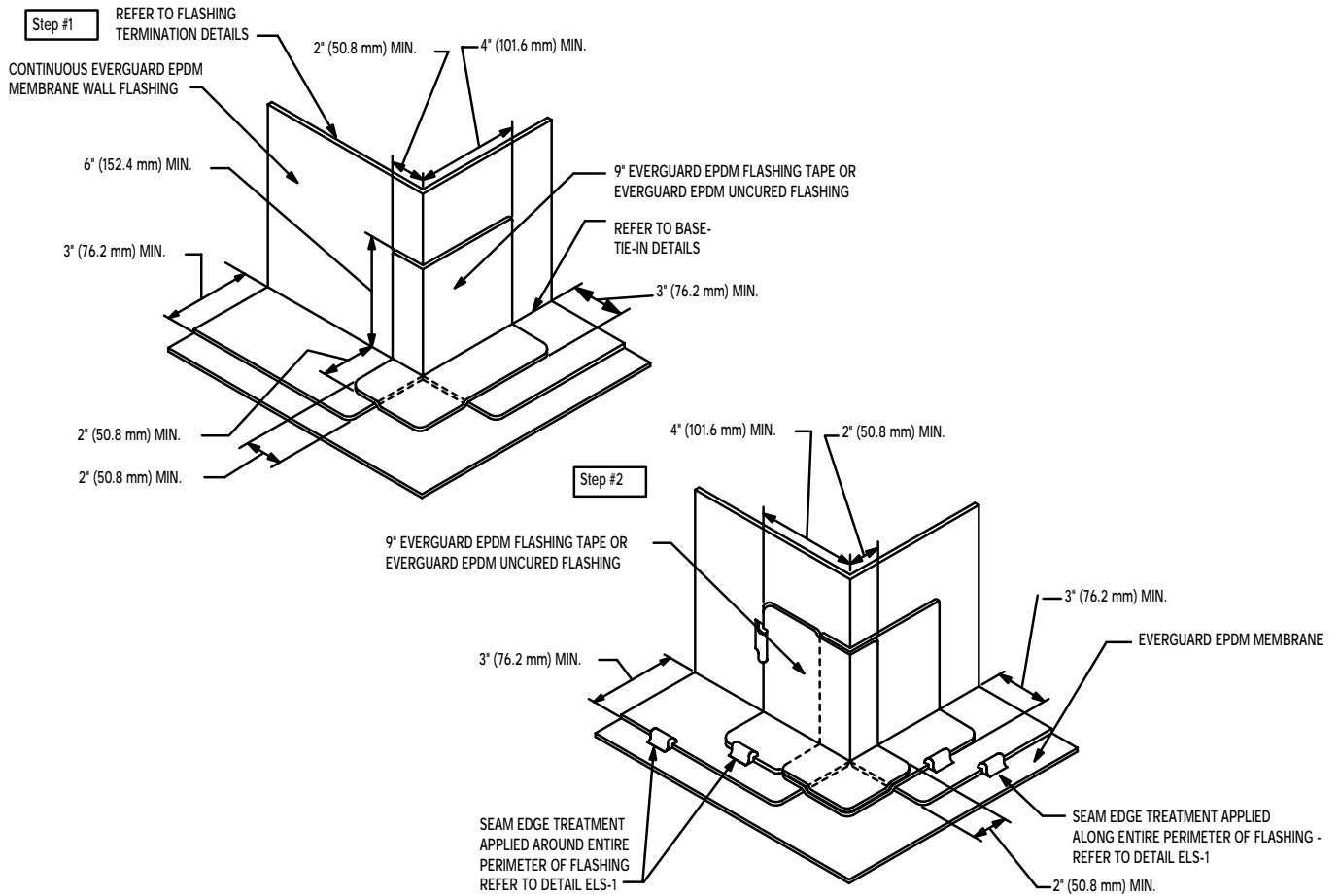
DURING COOL WEATHER CONDITIONS ( 60° F (16° C) OR BELOW ) USE A HEAT GUN TO ASSIST FORMING OF THE EVERGUARD EPDM CORNER FLASHING.

Step #4

"THIS PROCESS IS COVERED BY U.S. PATENT 5,520,761"



1. WITH A SILICONE COATED RUBBER ROLLER, ROLL THE EVERGUARD EPDM CORNER FLASHING.
2. APPLY CONTINUOUS SEAM EDGE TREATMENT AROUND THE EVERGUARD EPDM CORNER FLASHING AND EXTEND IT 3" (76.2 mm) BEYOND THE EDGE OF THE FLASHING. REFER TO DETAIL ELS-1 .



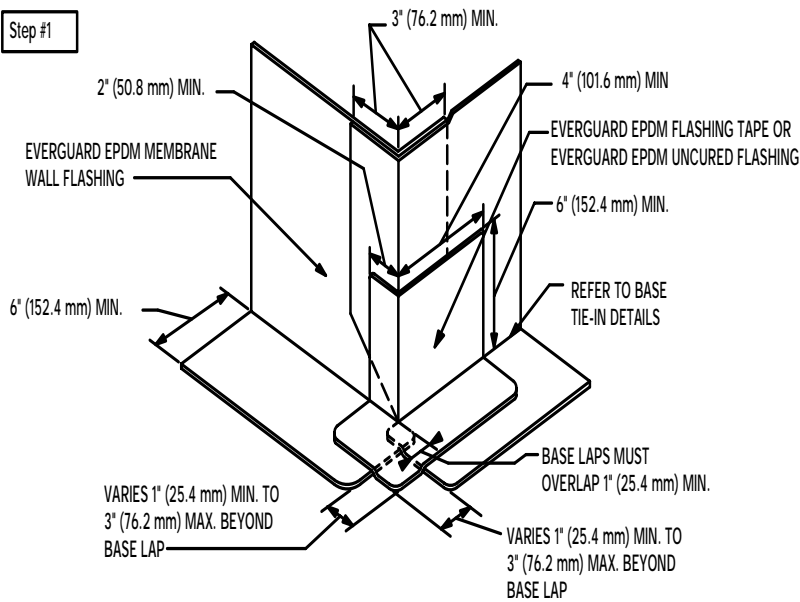
SYSTEMS: ALL  
 FOR USE IN GUARANTEED SYSTEMS: Up to 15 Years

EVERGUARD® EPDM  
 One Piece Wrap-Around Outside Corner

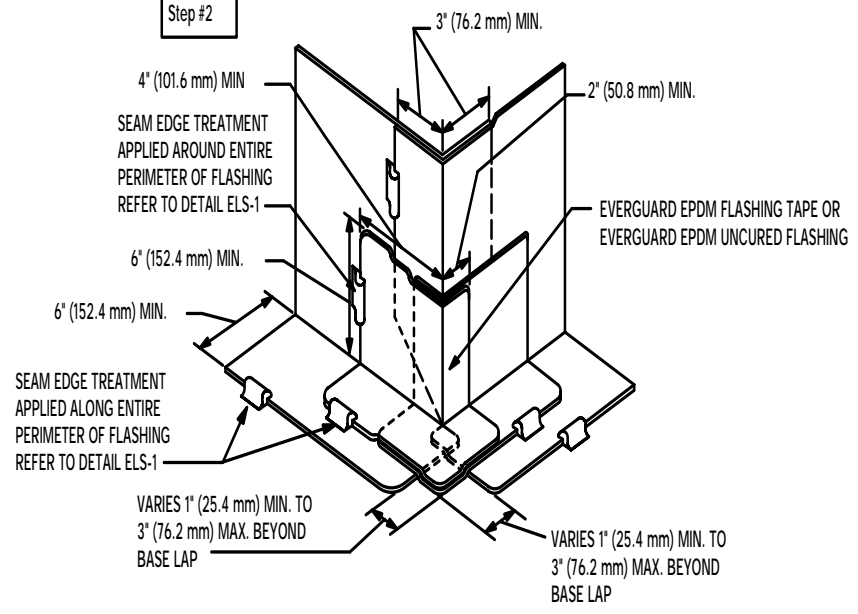
September 2002  
 Interim Updates at [www.gaf.com](http://www.gaf.com)

**EC-2**

Step #1



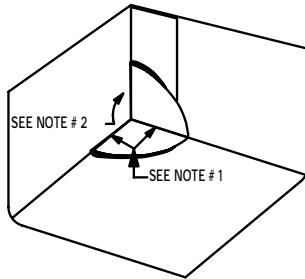
Step #2



SYSTEMS: ALL  
FOR USE IN GUARANTEED SYSTEMS: Up to 15 Years

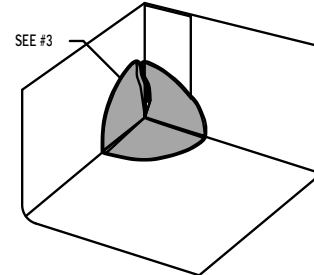
**EC-3**

Step #1



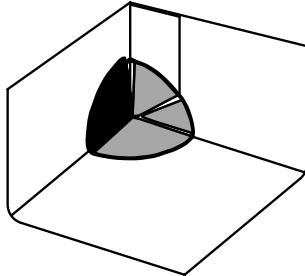
1. APPLY EVERGUARD EPDM PRIMER TO AN AREA THAT WILL BE FLASHED WITH EVERGUARD EPDM FLASHING, USING EVERGUARD EPDM SCRUB PAD AND HANDLE.
2. FOLD CORNER FLASHING TIGHTLY INTO THE CORNER.

Step #2



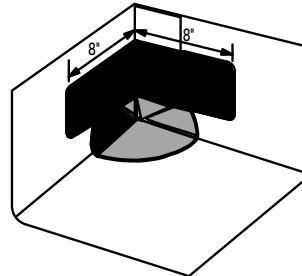
1. REMOVE THE RELEASE PAPER FROM THE OTHER HALF OF THE EVERGUARD EPDM CORNER FLASHING.
2. MOLD THE CORNER FLASHING TIGHTLY INTO THE VERTICAL, FORMING A PIG-EAR AS SHOWN ABOVE
3. APPLY EVERGUARD EPDM PRIMER TO THE AREA THAT WILL BE COVERED BY THE PIG-EAR, USING THE EVERGUARD EPDM STAND-UP TOOL. KEEP PIG EAR OPPOSITE THE VERTICAL SEAM.

Step #3



1. ALLOW THE EVERGUARD EPDM PRIMER TO DRY BEFORE PROCEEDING.
2. MOLD THE PIG-EAR TIGHT INTO CORNER AND TO THE WALL AS SHOWN ABOVE.

Step #4

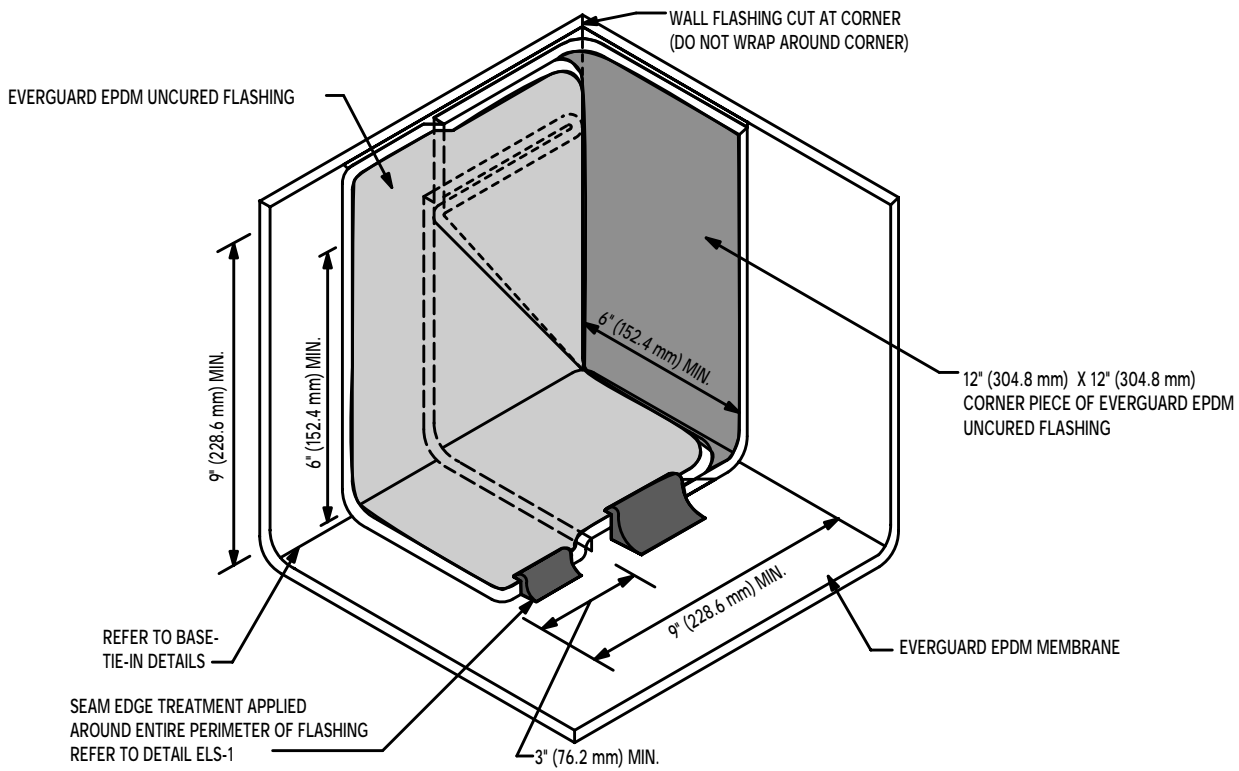


1. APPLY EVERGUARD EPDM PRIMER TO AN AREA THAT WILL BE FLASHED WITH EVERGUARD EPDM FLASHING, USING EVERGUARD EPDM SCRUB PAD AND HANDLE.
2. CUT A SECTION OF EVERGUARD EPDM FLASHING TAPE 16' LONG.
3. REMOVE THE RELEASE PAPER, AND CENTER THE FLASHING OVER THE TOP EDGE OF THE EVERGUARD EPDM FLASHING CORNER. THE EVERGUARD EPDM FLASHING TAPE WILL EXTEND 2-1/2' (69 mm) BEYOND THE EVERGUARD EPDM FLASHING CORNER.

NOTE:

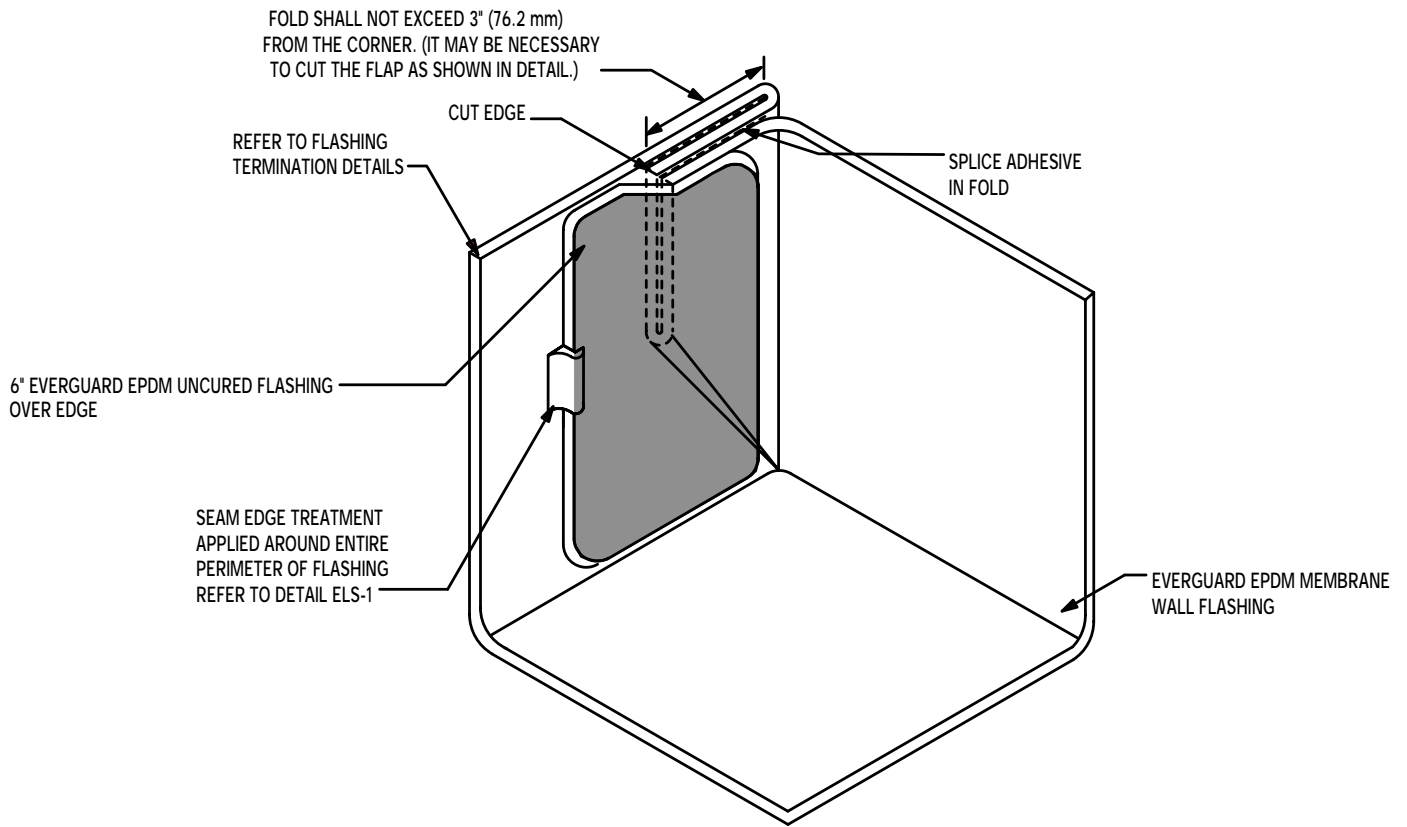
1. APPLY CONTINUOUS SEAM EDGE TREATMENT AROUND THE EVERGUARD EPDM CORNER, EVERGUARD EPDM FLASHING TAPE, AND TO THE SEAM EDGE OF THE MEMBRANE. REFER TO DETAIL ELS-1.
2. DURING COOL WEATHER CONDITIONS ( 60° F (16° C) OR BELOW) USE A HEAT GUN TO ASSIST FORMING OF THE EVERGUARD EPDM CORNER FLASHING.

"THIS PROCESS IS COVERED BY U.S. PATENT 5,520,761"



NOTES:

1. BATTEN BAR OR RTS STRIP MAY BE HELD BACK 7" (177.8 mm) MAX. FROM CORNER. (NOT SHOWN).
2. IF WALL FLASHING EXTENDS ABOVE 9" (228.6 mm), EVERGUARD EPDM FLASHING TAPE SHALL BE INSTALLED TO COVER THE MEMBRANE CUT.



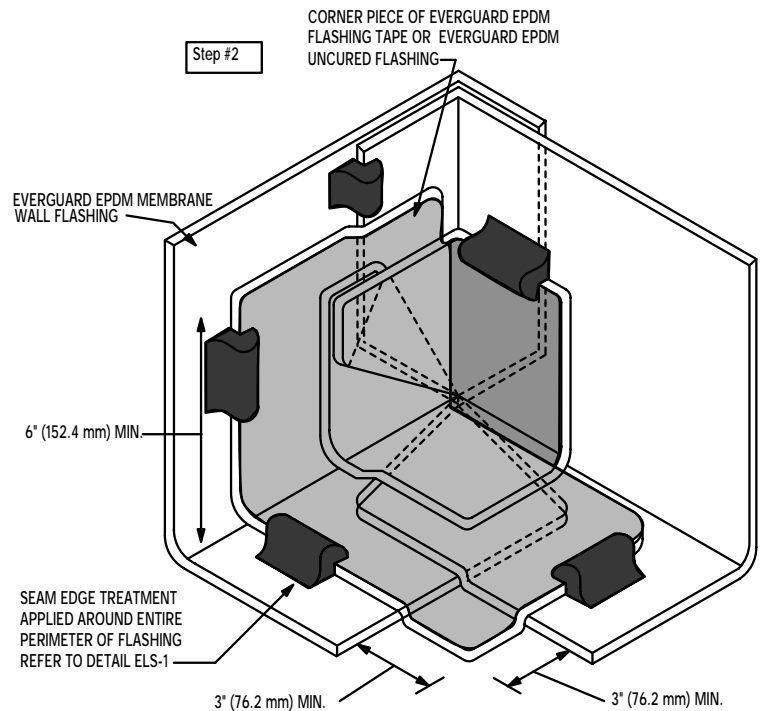
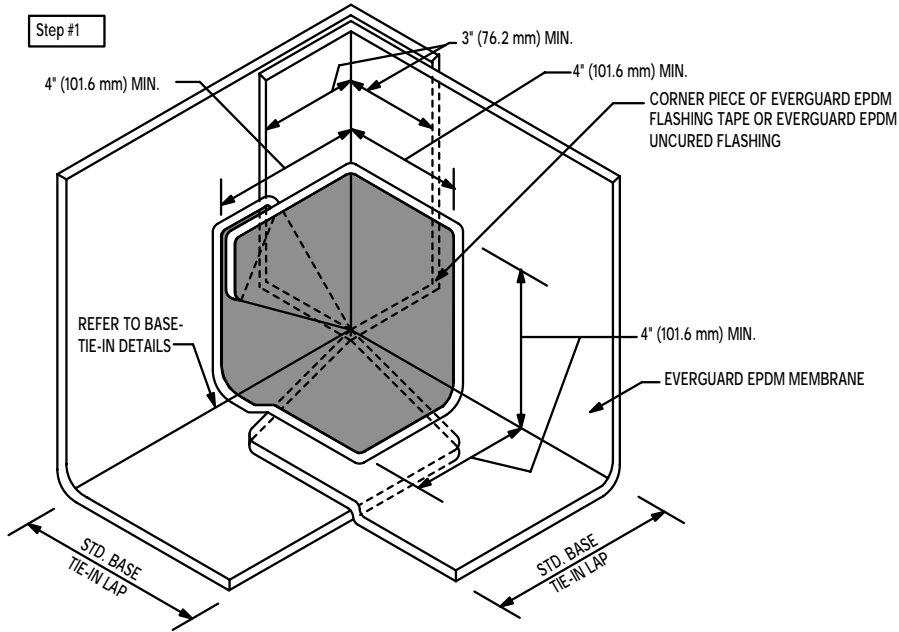
SYSTEMS: ALL  
FOR USE IN GUARANTEED SYSTEMS: Up to 15 Years

EVERGUARD® EPDM  
Inside Corner for Parapet EPDM Wall Flashing

September 2002  
Interim Updates at [www.gaf.com](http://www.gaf.com)

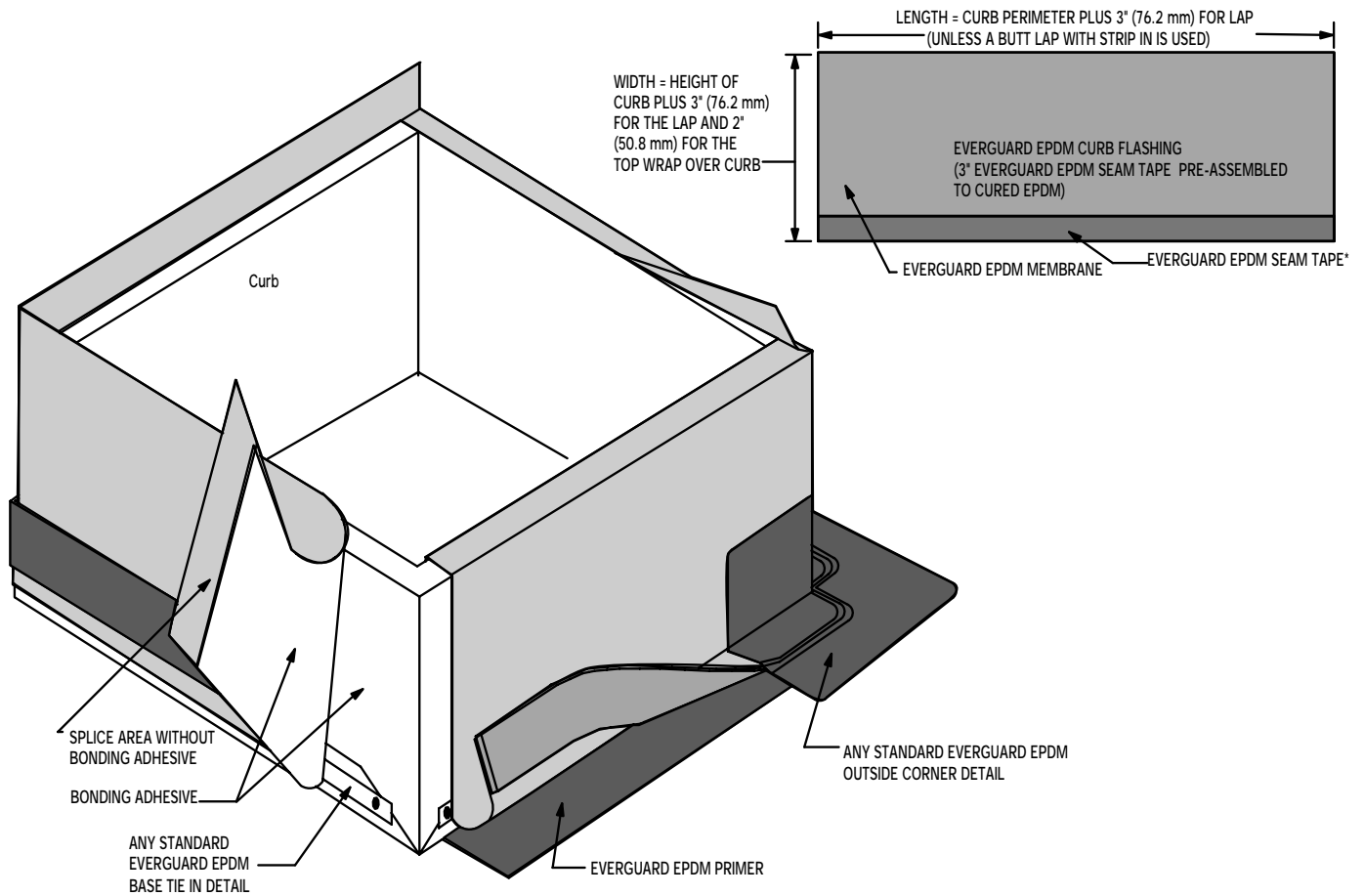
**EC-6**

45



SYSTEMS: ALL  
FOR USE IN GUARANTEED SYSTEMS: Up to 15 Years





\*REFER TO INSTALLATION INSTRUCTIONS CONTAINED WITHIN PRODUCT PACKAGE FOR COMPLETE DESCRIPTION OF INSTALLATION PROCEDURE.

SYSTEMS: ALL  
FOR USE IN GUARANTEED SYSTEMS: Up to 15 Years

EVERGUARD® EPDM  
EverGuard EPDM Tape Curb Flashing

September 2002  
Interim Updates at [www.gaf.com](http://www.gaf.com)

**EC-8**