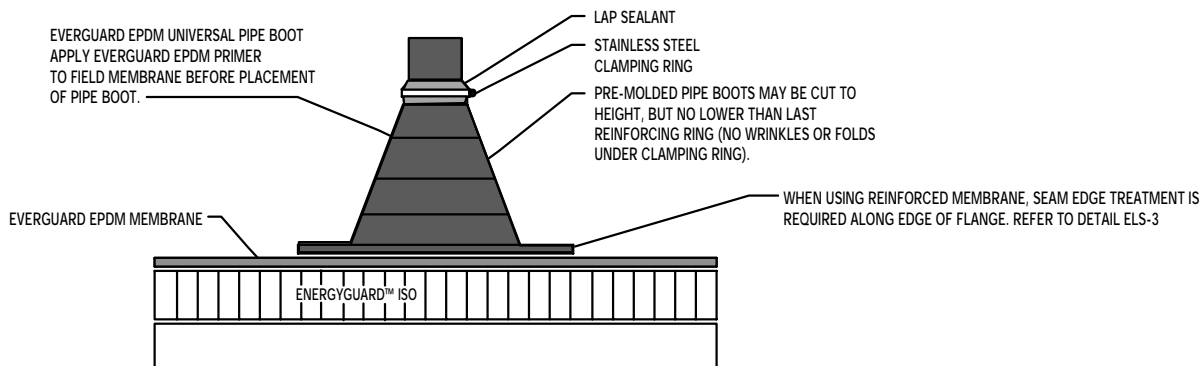
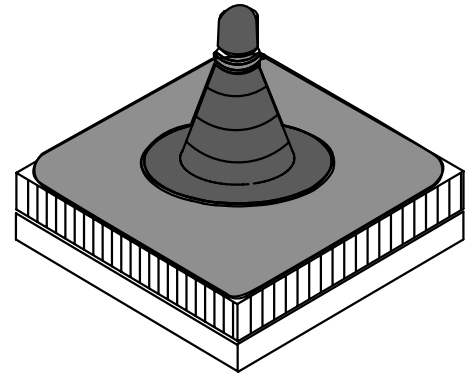
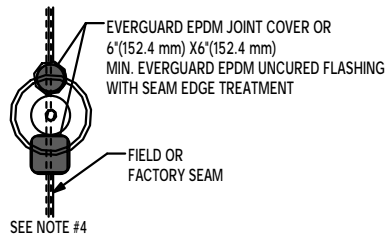


EverGuard® EPDM Table of Contents System Details

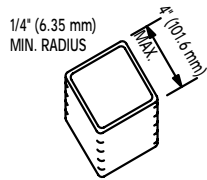
Details No.	EverGuard EPDM	Systems
	Penetrations	
EP-1	EverGuard EPDM Universal Pipe Boots	All
EP-2	Field Fabricated Pipe/Tube Flashing	All
EP-3	Braided Cable Detail	All
EP-4	Hot Stack Flashing	All
EP-5	New Penetration Pocket With Wood Nailer	All
EP-6	New Penetration Pocket To Deck	All
EP-7	New Penetration Pocket With Wood Nailer	All
EP-8	New Penetration Pocket To Deck	Mechanically Attached
EP-9	Pipe Batten Layout With Pipe Batten Ring	Mechanically Attached
EP-10	Pipe Batten Layout w/EverGuard EPDM Batten Cover	Mechanically Attached
EP-11	Pipe Penetration Attachment Layout	Reinforced EPDM



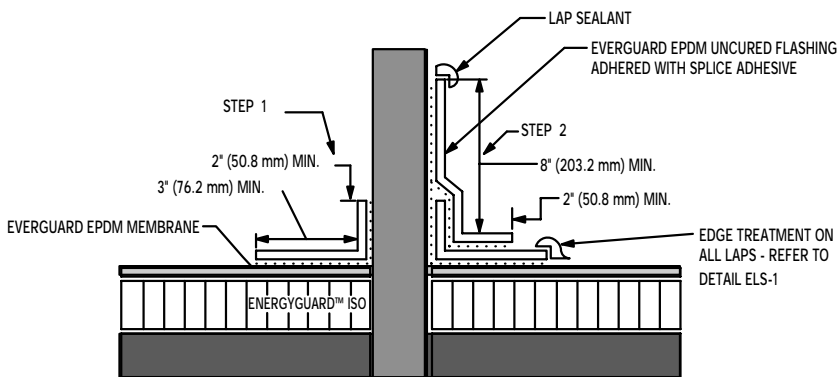
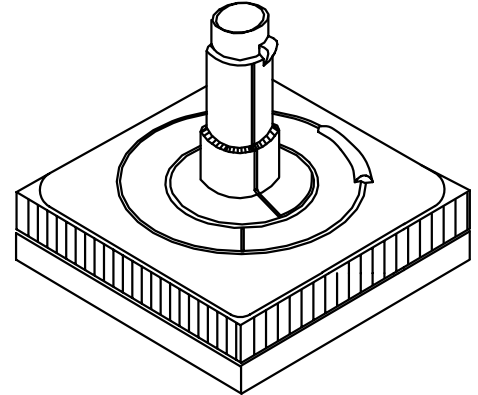
NOTES:

1. REMOVE ALL EXISTING FLASHINGS, LEAD, ETC. PIPE SURFACE MUST BE FREE OF ALL RUST, GREASE, ETC.
2. PIPE MUST BE AN ANCHORED TO BOTTOM SIDE OF DECK TO ASSURE STABILITY.
3. PIPE BATTEN LAYOUT REQUIRED WHEN THIS DETAIL IS USED ON MECHANICALLY ATTACHED SYSTEMS. REFER TO DETAILS EP-10, EP-11, OR EP-12.
4. IF THE FLANGE OF THE PIPE BOOT OVERLAPS A FIELD OR FACTORY SEAM, A "T" JOINT PATCH OR 6" (152.4 mm) X 6" (152.4 mm) MIN. PIECE OF EVERGUARD EPDM UNCURED FLASHING CENTERED OVER THE INTERSECTION, IS REQUIRED.

SYSTEMS: ALL
FOR USE IN GUARANTEED SYSTEMS: Up to 15 Years



SEE NOTE #7



NOTES:

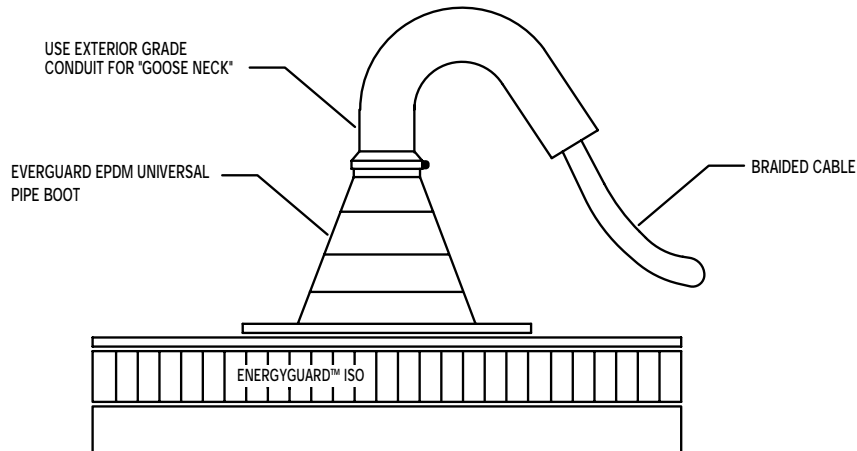
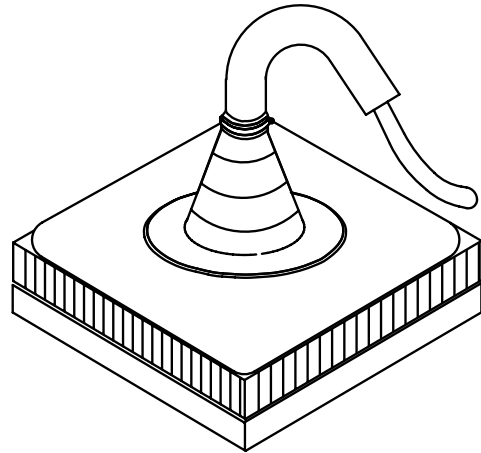
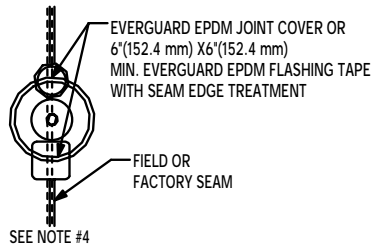
1. REMOVE ALL EXISTING FLASHINGS, LEAD, ETC. PIPE SURFACE MUST BE FREE OF ALL RUST, GREASE, ETC.
2. PIPE MUST BE ANCHORED TO BOTTOM SIDE OF DECK TO ASSURE STABILITY.
3. DO NOT INSTALL CLAMPING RING AROUND TOP OF EVERGUARD EPDM UNCURED FLASHING.
4. WOOD NAILER REQUIRED WHEN OUTSIDE DIAMETER OF THE PIPE EXCEEDS 18" (457.2 mm) - REFER TO BASE TIE-IN DETAILS.
5. USE THIS DETAIL WHEN THE IN-SERVICE TEMPERATURE OF THE PIPE DOES NOT EXCEED 180° F (82 C).
6. SEAM EDGE TREATMENT APPLIED AROUND ENTIRE PERIMETER OF FLASHING - REFER TO DETAIL ELS-1
7. THIS DETAIL MAY BE USED ON STRUCTURAL STEEL TUBING UP TO 4" (101.6 mm) PROVIDED THE CORNERS ARE 1/4" (6.35 mm) MINIMUM RADIUS.

SYSTEMS: ALL
FOR USE IN GUARANTEED SYSTEMS: Up to 15 Years

EVERGUARD® EPDM
Field Fabricated Pipe/Tube Flashing

September 2002
Interim Updates at www.gaf.com

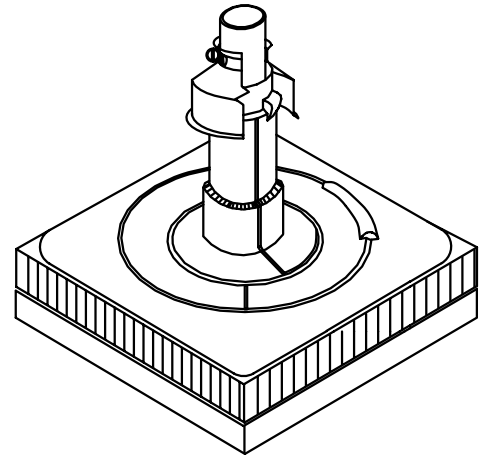
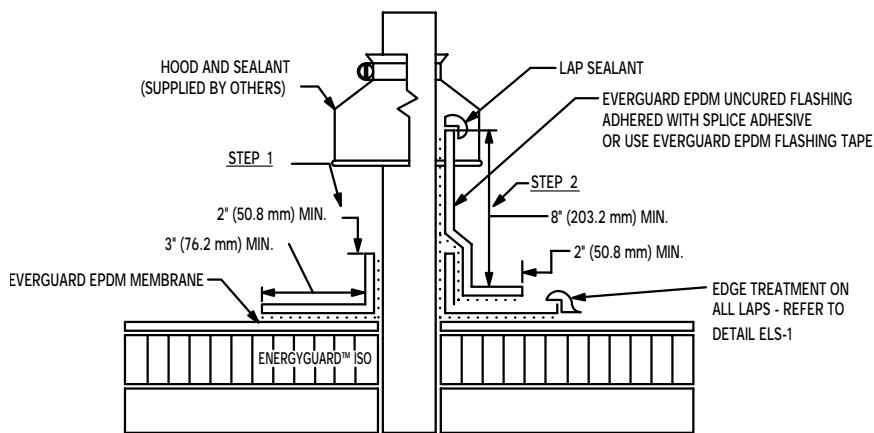
EP-2



NOTES:

1. REMOVE ALL EXISTING FLASHINGS, LEAD, ETC. PIPE SURFACE MUST BE FREE OF ALL RUST, GREASE, ETC.
2. PIPE MUST BE ANCHORED TO BOTTOM SIDE OF DECK TO ASSURE STABILITY.
3. PIPE BATTEN LAYOUT REQUIRED WHEN THIS DETAIL IS USED ON MECHANICALLY ATTACHED SYSTEMS - REFER TO DETAILS EP-10, EP-11 OR EP-12.
4. IF THE FLANGE OF THE PIPE BOOT OVERLAPS A FIELD OR FACTORY SEAM, A "T" JOINT COVER OR 6" (152.4 mm) X 6" (152.4 mm) MIN. PIECE OF EVERGUARD EPDM UNCURED FLASHING, CENTERED OVER THE INTERSECTION, IS REQUIRED.
5. PRE-MOLDED PIPE BOOTS MAY BE CUT TO HEIGHT, BUT NO LOWER THAN LAST REINFORCING RING (NO WRINKLES OR FOLDS UNDER CLAMPING RING).
6. U.L. REQUIRES THE ANGLE OF THE "GOOSE NECK" TO BE 45° TO ROOF DECK.

SYSTEMS: ALL
FOR USE IN GUARANTEED SYSTEMS: Up to 15 Years



NOTES:

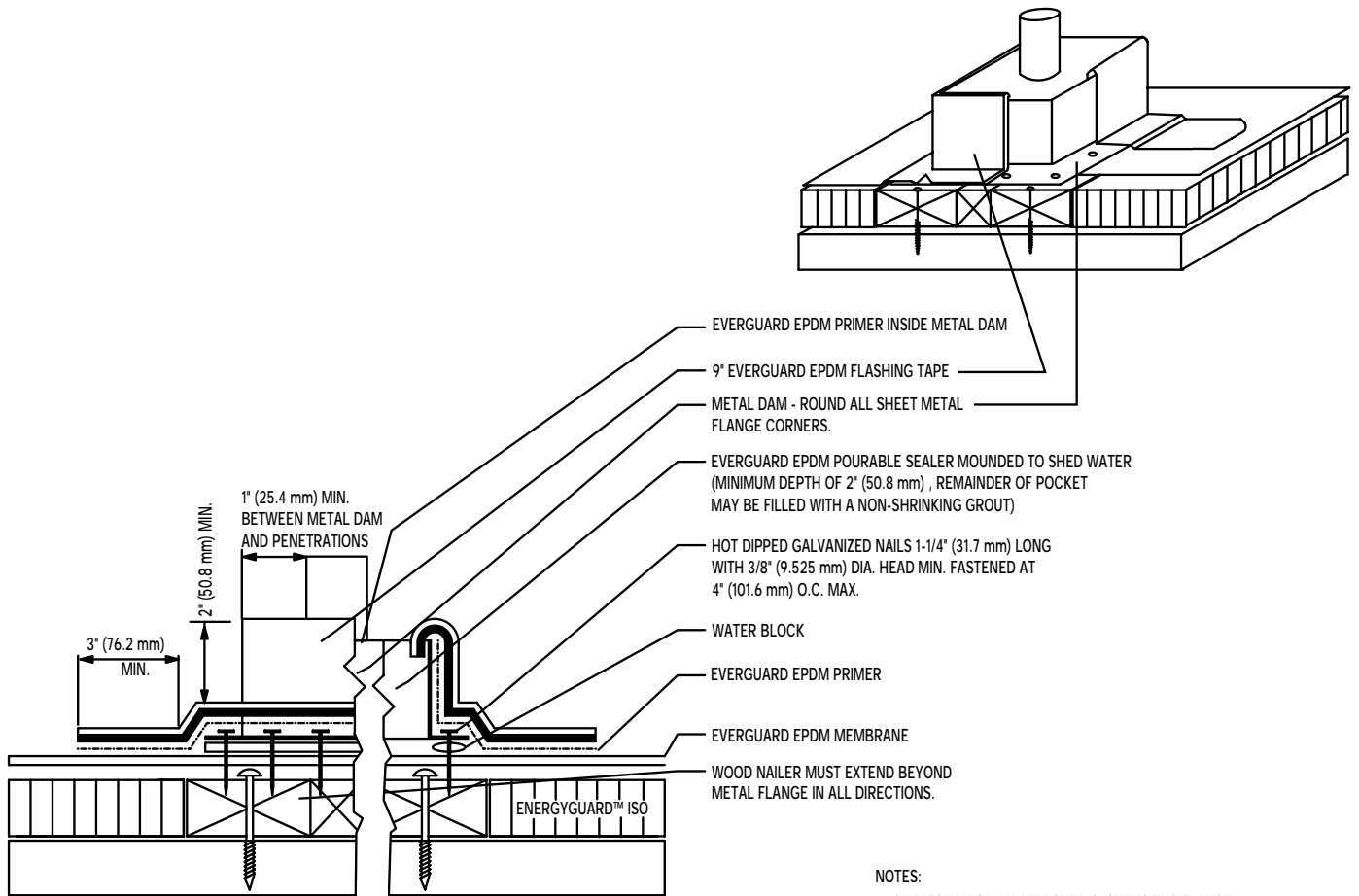
1. REMOVE ALL EXISTING FLASHINGS, LEAD, ETC. PIPE SURFACE MUST BE FREE OF ALL RUST, GREASE, ETC.
2. PIPE MUST BE ANCHORED TO BOTTOM SIDE OF DECK TO ASSURE STABILITY.
3. DO NOT INSTALL CLAMPING RING AROUND TOP OF EVERGUARD EPDM UNCURED FLASHING.
4. WOOD NAILER REQUIRED WHEN OUTSIDE DIAMETER OF THE PIPE EXCEEDS 18" (457.2 mm) - REFER TO BASE TIE-IN DETAILS.
5. USE THIS DETAIL WHEN THE IN-SERVICE TEMPERATURE OF THE PIPE DOES NOT EXCEED 180° F (82°C).
6. SEAM EDGE TREATMENT APPLIED AROUND ENTIRE PERIMETER OF FLASHING - REFER TO DETAIL ELS-1
7. THIS DETAIL MAY BE USED ON STRUCTURAL STEEL TUBING UP TO 4" (101.6 mm) PROVIDED THE CORNERS ARE 1/4" (6.35 mm) MINIMUM RADIUS.

SYSTEMS: ALL
FOR USE IN GUARANTEED SYSTEMS: Up to 15 Years

EVERGUARD® EPDM
Hot Stack Flashing

September 2002
Interim Updates at www.gaf.com

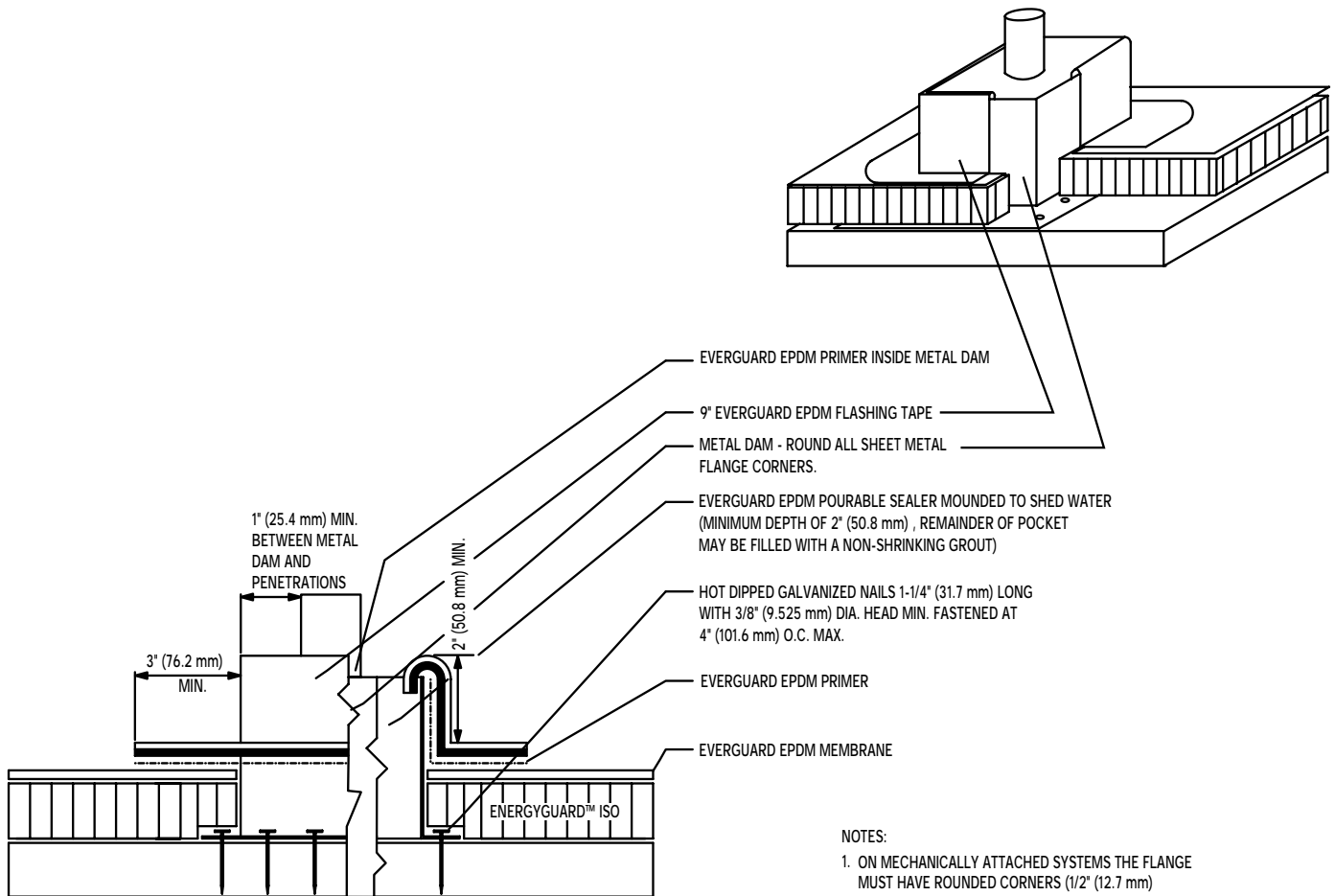
EP-4



NOTES:

1. ON MECHANICALLY ATTACHED SYSTEMS THE FLANGE MUST HAVE ROUNDED CORNERS (1/2" (12.7 mm) RADIUS MIN.) FASTENED WITH EVERGUARD FASTENERS AND GENERAL PURPOSE SEALANT OVER FASTENER HEADS.
2. REFER TO DETAILS EC-1 & EC-2 FOR CORNER DETAIL.
3. IF MULTIPLE PENETRATIONS EXIST, THERE MUST BE 1" (25.4 mm) BETWEEN PENETRATIONS.

SYSTEMS: ALL
FOR USE IN GUARANTEED SYSTEMS: Up to 15 Years



NOTES:

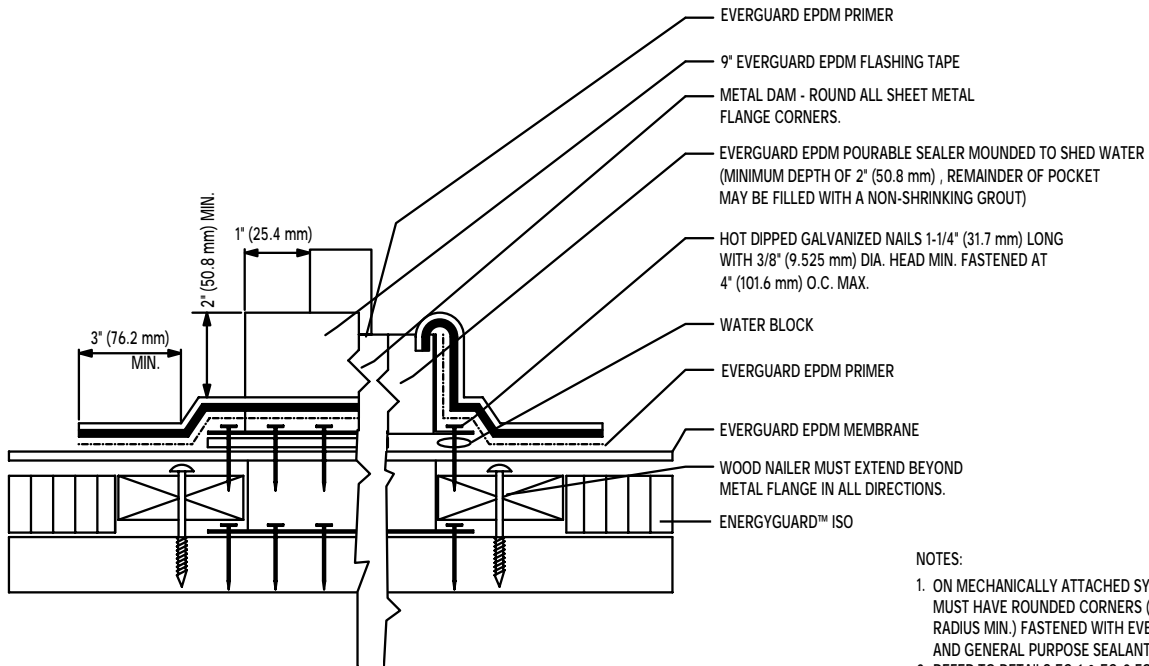
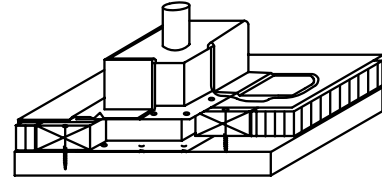
1. ON MECHANICALLY ATTACHED SYSTEMS THE FLANGE MUST HAVE ROUNDED CORNERS (1/2" (12.7 mm) RADIUS MIN.) FASTENED WITH EVERGUARD FASTENERS AND GENERAL PURPOSE SEALANT OVER FASTENER HEADS. INSTALL BATTENS PICTURE FRAMED SIMILAR TO DETAIL EP-10 OR EP-11
2. REFER TO DETAILS EC-1 & EC-2 FOR CORNER DETAIL.
3. IF MULTIPLE PENETRATIONS EXIST, THERE MUST BE 1" (25.4 mm) BETWEEN PENETRATIONS.

SYSTEMS: ALL
FOR USE IN GUARANTEED SYSTEMS: Up to 15 Years

EVERGUARD® EPDM
New Penetration Pocket to Deck

September 2002
Interim Updates at www.gaf.com

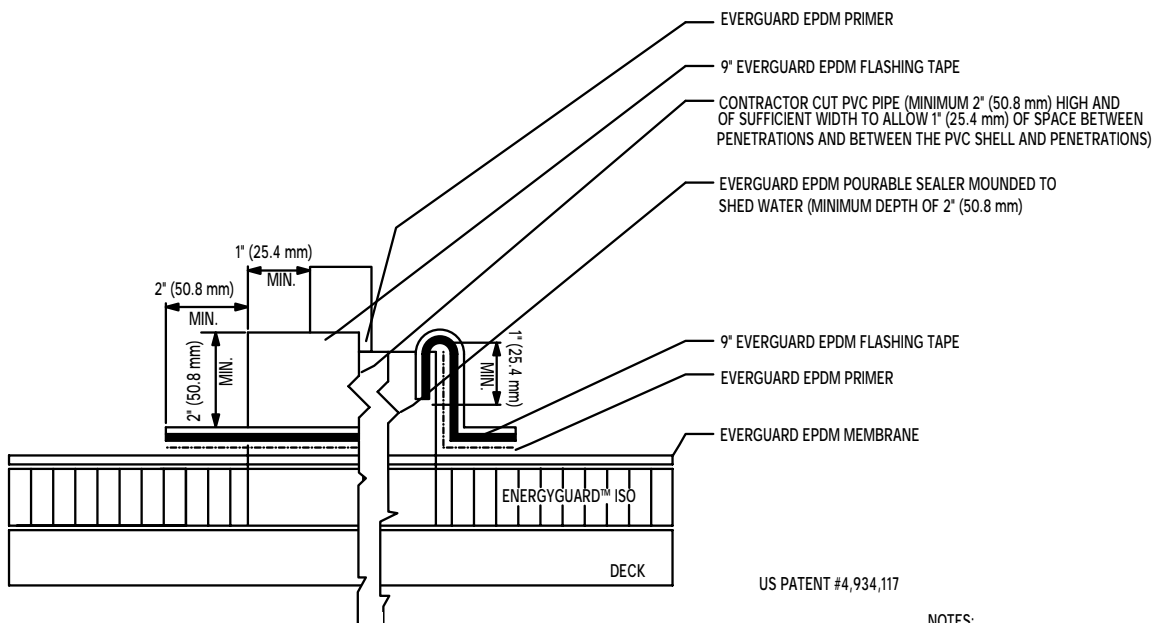
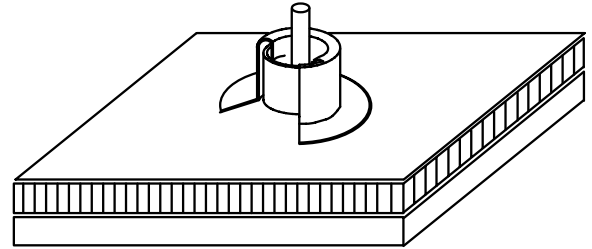
EP-6



NOTES:

1. ON MECHANICALLY ATTACHED SYSTEMS THE FLANGE MUST HAVE ROUNDED CORNERS (1/2" (12.7 mm) RADIUS MIN.) FASTENED WITH EVERGUARD FASTENERS AND GENERAL PURPOSE SEALANT OVER FASTENER HEADS.
2. REFER TO DETAILS EC-1 & EC-2 FOR CORNER DETAIL.
3. IF MULTIPLE PENETRATIONS EXIST, THERE MUST BE 1" (25.4 mm) BETWEEN PENETRATIONS.

SYSTEMS: ALL
FOR USE IN GUARANTEED SYSTEMS: Up to 15 Years



NOTES:

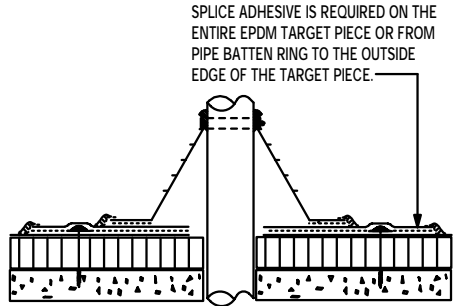
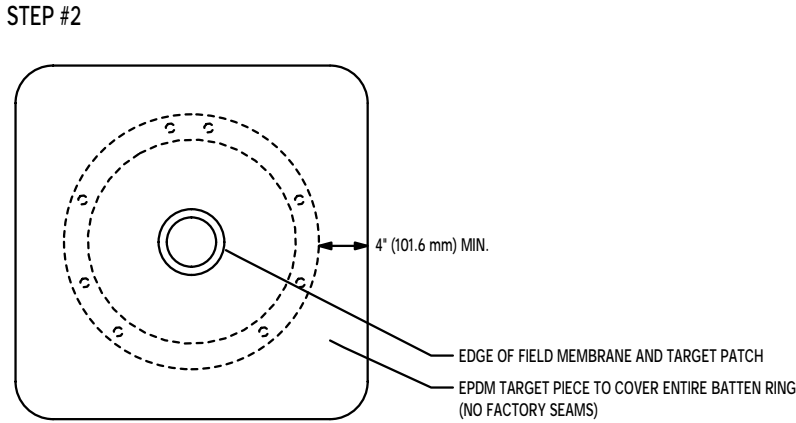
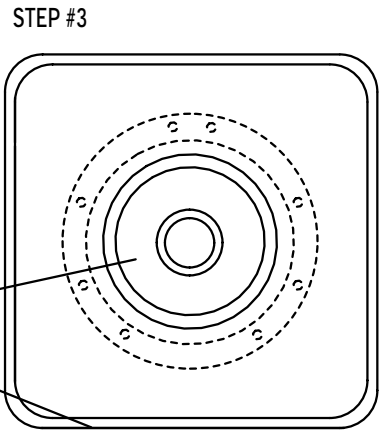
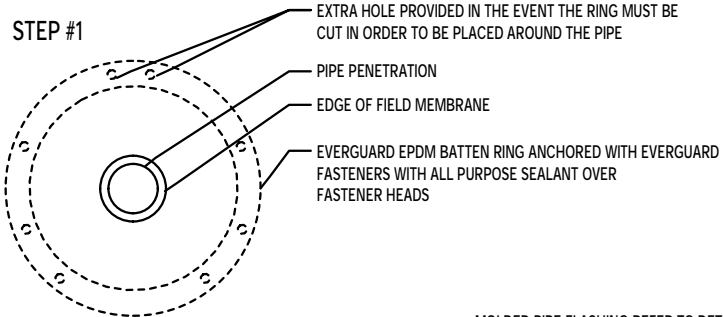
1. DO NOT USE OVER EXISTING PENETRATION POCKETS.
2. DO NOT USE FILLERS UNDER POURABLE SEALER.
3. IF MULTIPLE PENETRATIONS EXIST, THERE MUST BE 1" (25.4 mm) BETWEEN PENETRATIONS.
4. IF FIELD MEMBRANE IS CUT FOR INSTALLATION, THE MEMBRANE MUST BE REPAIRED WITH CURED EPDM PRIOR TO INSTALLATION OF THE PENETRATION POCKET.
5. MEMBRANE MUST BE INSTALLED WITHIN 1/2" (12.7 mm) OF PENETRATION.
6. PVC COLLAR MAY BE CUT TO MATCH ROOF SLOPE.

SYSTEMS: ALL
FOR USE IN GUARANTEED SYSTEMS: Up to 15 Years

EVERGUARD® EPDM
New Penetration Pocket to Deck

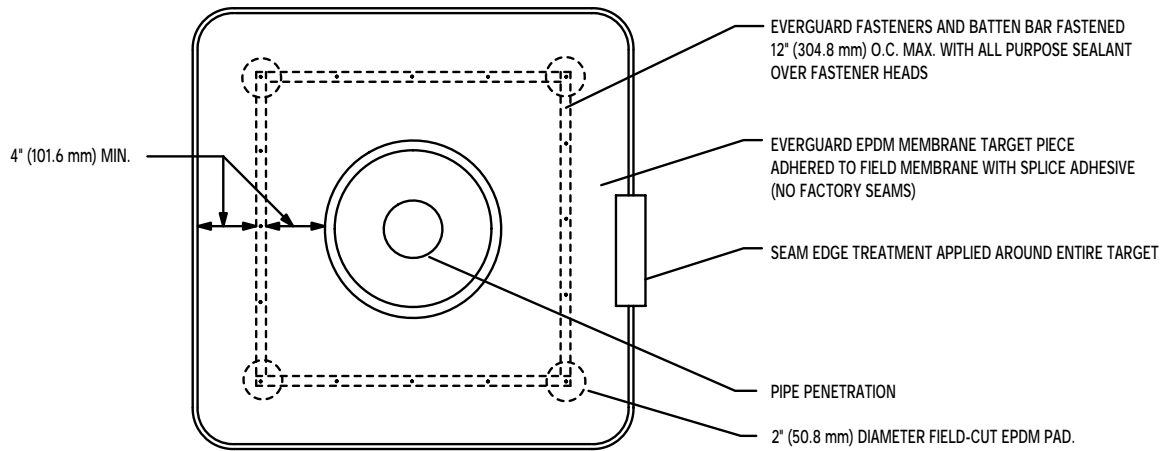
September 2002
Interim Updates at www.gaf.com

EP-8



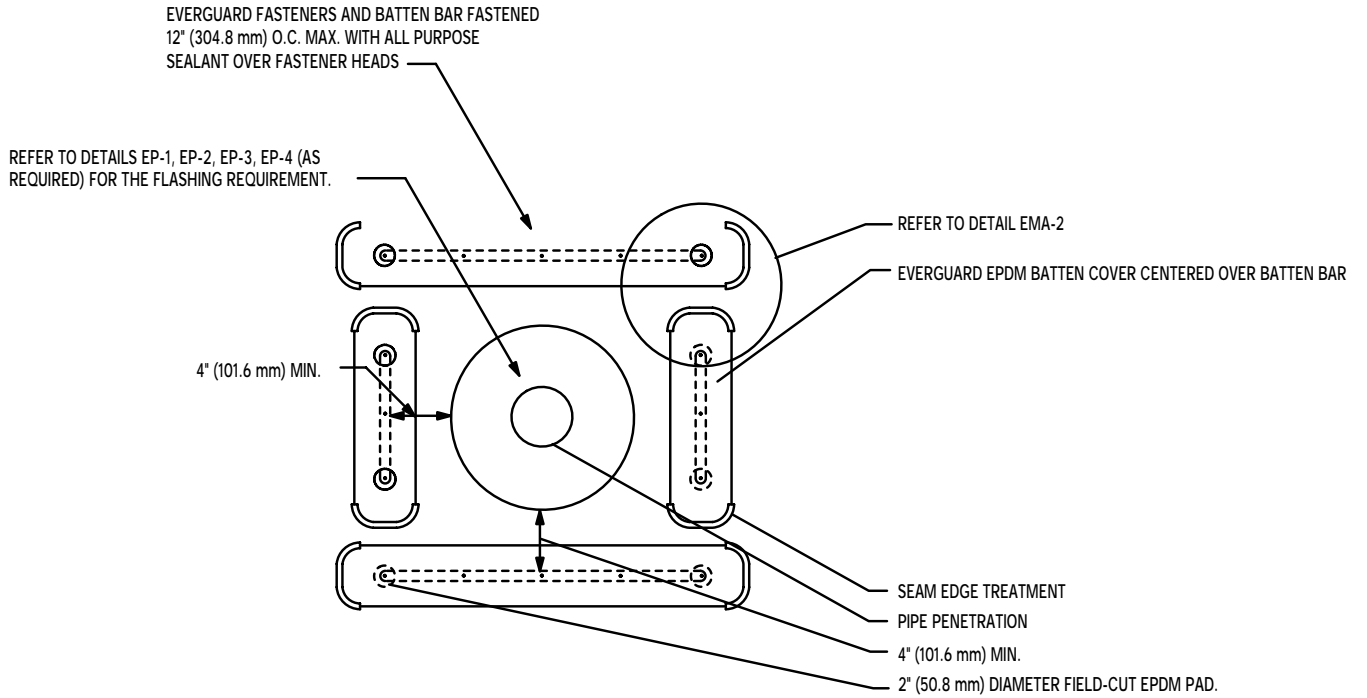
REQUIRED WITH BATTEN-IN-THE-SEAM, MECHANICALLY ANCHORED, AND REINFORCED MAS SYSTEMS ONLY

- NOTES:
1. BATTEN RINGS ARE NOT REQUIRED FOR PENETRATIONS WHICH ARE WITHIN AN ADHERED PERIMETER AREA.



NOTES:

1. REFER TO DETAILS EP-1, EP-2, EP-3, EP-4 (AS REQUIRED) FOR THE FLASHING REQUIREMENT.
2. REMOVE BURRS AND SHARP EDGES FROM BATTEN BAR BEFORE INSTALLATION.
3. MEMBRANE SHALL BE INSTALLED WITHIN 1/2" (12.7 mm) OF THE PIPE.



SYSTEMS: Mechanically Attached
FOR USE IN GUARANTEED SYSTEMS: Up to 15 Years

EP-11