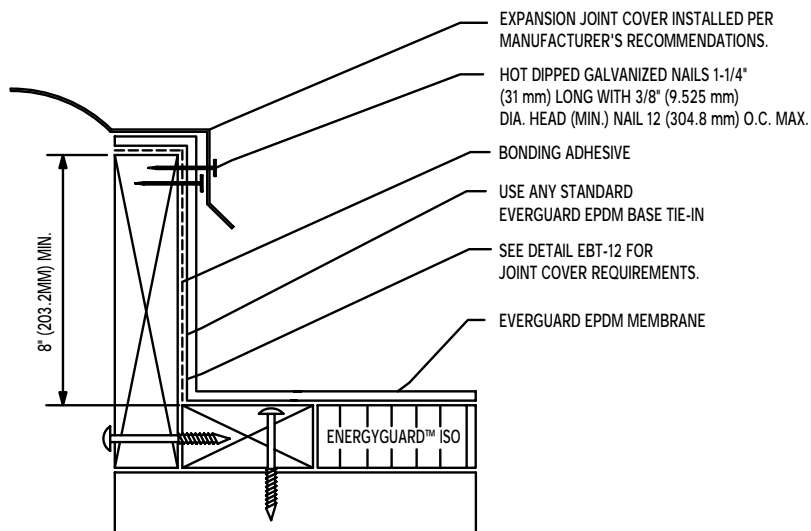
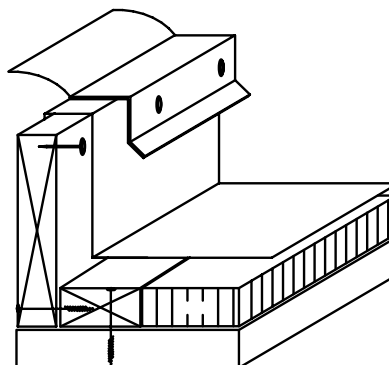


# EverGuard® EPDM Table of Contents

## System Details

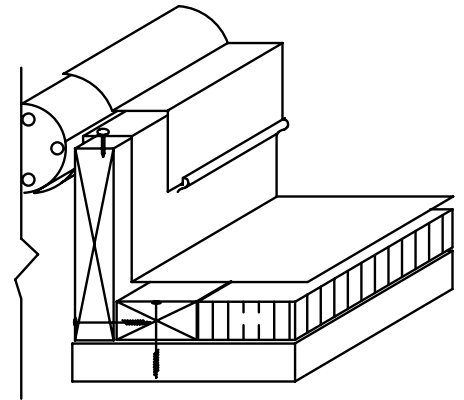
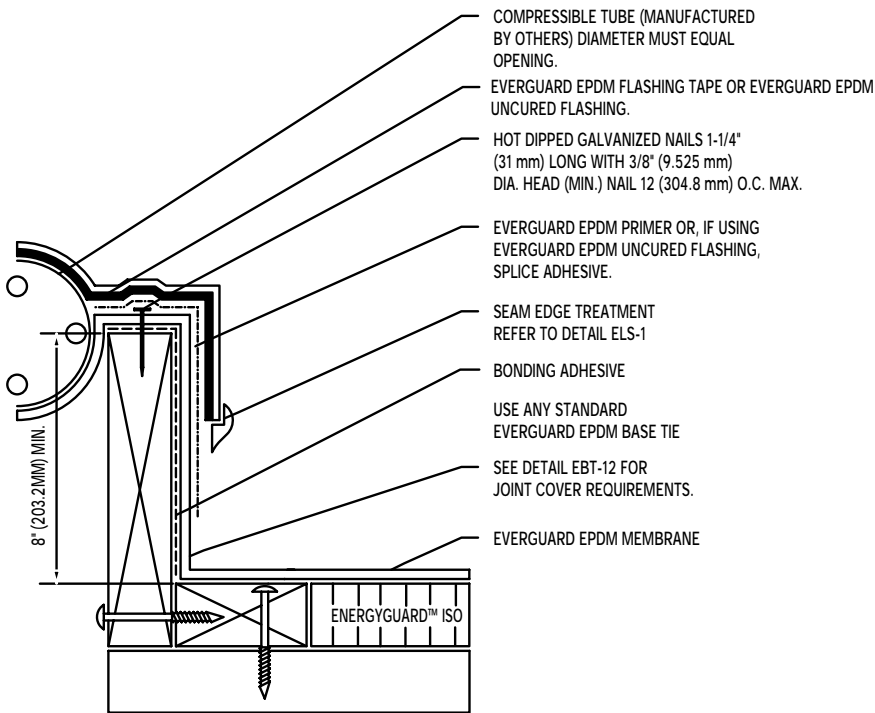
<b>Details No.</b>	<b>EverGuard EPDM</b>	<b>Systems</b>
	<b>Expansion Joints</b>	
EE-1	Manufactured Expansion Joint Cover	All
EE-2	Field Fabricated Expansion Joint Cover	All
EE-3	Wall Exp Joint w/ EverGuard EPDM RTS Strip	All
EE-4	Wall Exp Joint w/ EverGuard EPDM Batten Bar	Adhered M.A.S.
EE-5	Expansion Joint With Batten Bar	Adhered M.A.S.
EE-6	Expansion Joint With RTS Strip	All
EE-7	Existing Control/Expansion Joint	All
EE-8	Expansion Joint	Ballasted



NOTES:

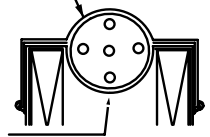
1. IF ANCHORS MUST PENETRATE SHEET METAL, EPDM WASHERS MUST BE USED AND SUBSEQUENTLY CAULKED WITH ALL PURPOSE SEALANT.

SYSTEMS: ALL  
FOR USE IN GUARANTEED SYSTEMS: Up to 15 Years



EVERGUARD EPDM MEMBRANE OR 9" EVERGUARD EPDM FLASHING TAPE

FIELD MEMBRANE FORMED INTO RETAINER FOR EXPANDABLE FOAM ROD



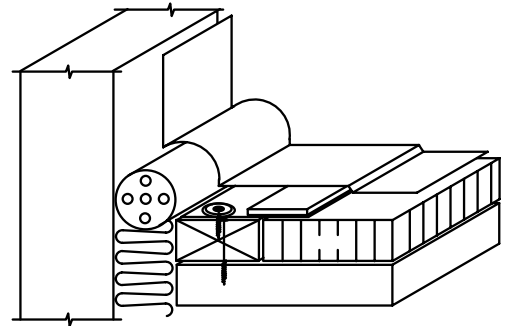
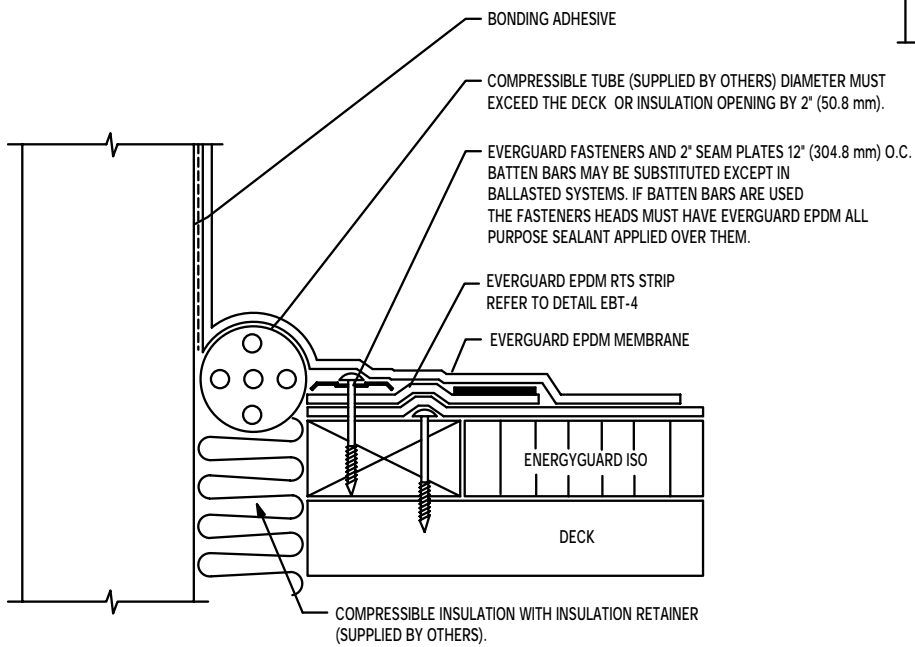
SYSTEMS: ALL  
FOR USE IN GUARANTEED SYSTEMS: Up to 15 Years

EVERGUARD® EPDM  
Field Fabricated Expansion Joint

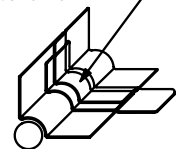
September 2002  
Interim Updates at [www.gaf.com](http://www.gaf.com)

**EE-2**

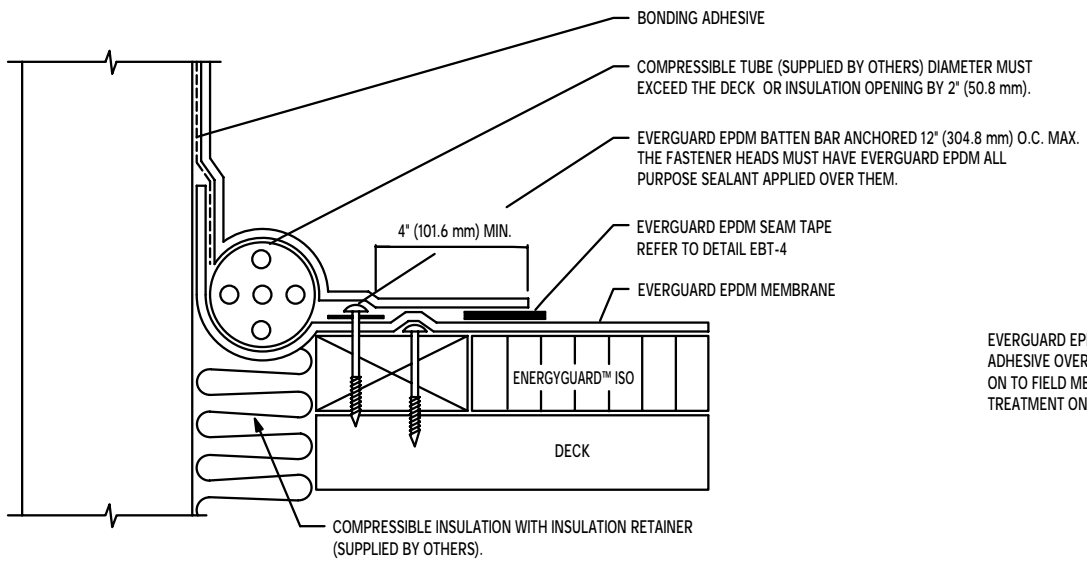
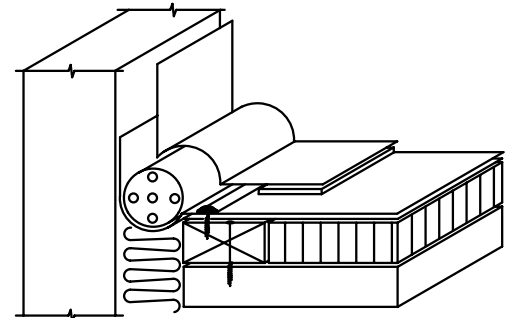
65



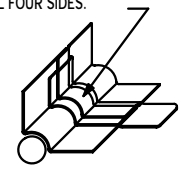
EVERGUARD EPDM UNCURED FLASHING SET IN SPLICE ADHESIVE OVER FIELD SEAM EXTENDING 3" (76.2 mm) ON TO FIELD MEMBRANE WITH CONTINUOUS SEAM EDGE TREATMENT ON ALL FOUR SIDES.



SYSTEMS: ALL  
 FOR USE IN GUARANTEED SYSTEMS: Up to 15 Years



EVERGUARD EPDM FLASHING TAPE SET IN SPLICE ADHESIVE OVER FIELD SEAM EXTENDING 3" (76.2 mm) ON TO FIELD MEMBRANE WITH CONTINUOUS SEAM EDGE TREATMENT ON ALL FOUR SIDES.

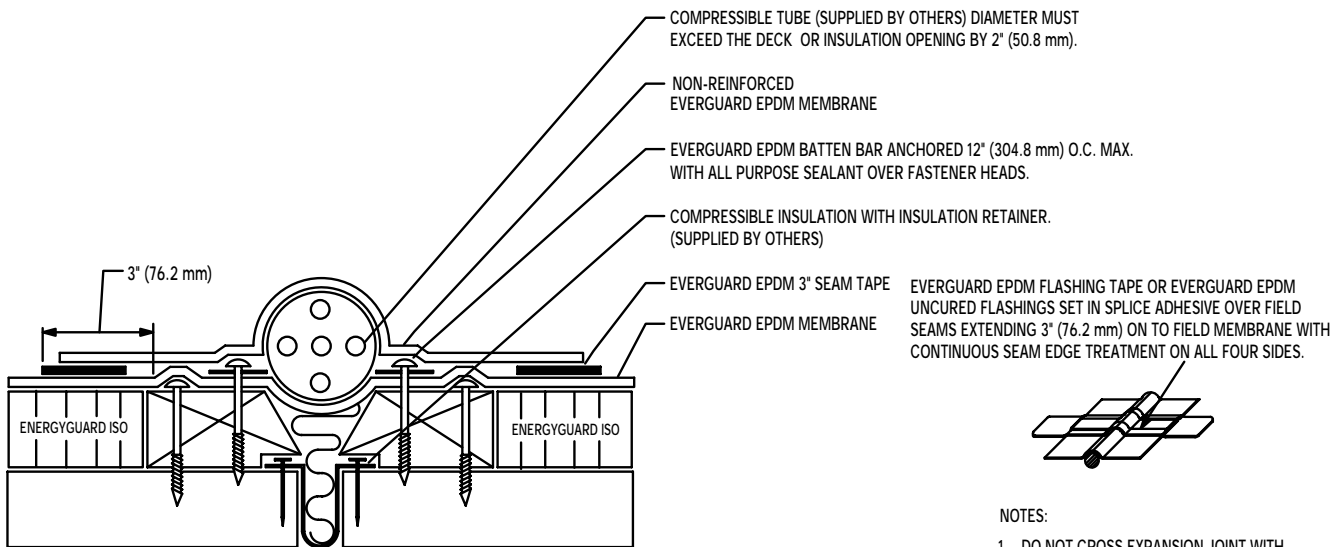
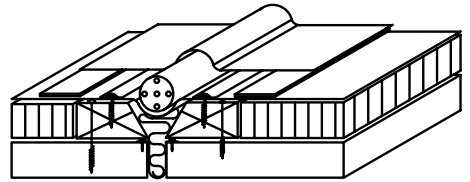


SYSTEMS: Adhered, Mechanically Attached  
 FOR USE IN GUARANTEED SYSTEMS: Up to 15 Years

EVERGUARD® EPDM  
 Wall Expansion Joint with EverGuard EPDM Batten Bar

September 2002  
 Interim Updates at [www.gaf.com](http://www.gaf.com)

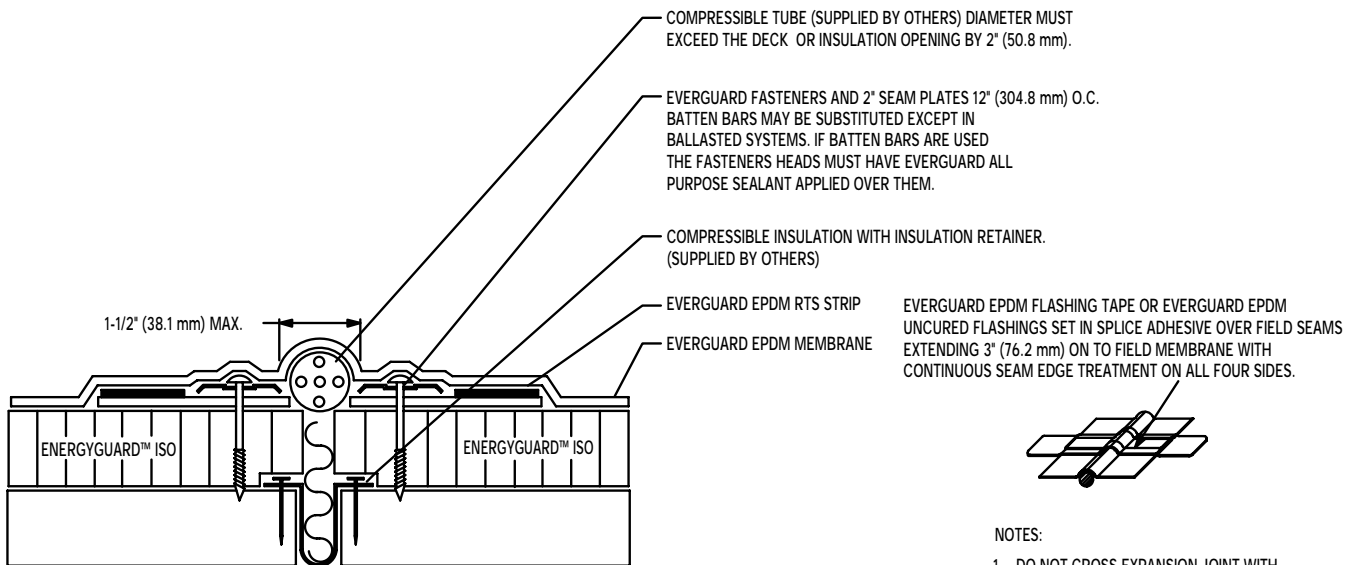
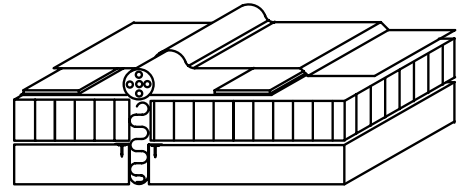
**EE-4**



NOTES:

1. DO NOT CROSS EXPANSION JOINT WITH BATTEN BAR.

SYSTEMS: Adhered, Mechanically Attached  
 FOR USE IN GUARANTEED SYSTEMS: Up to 15 Years



NOTES:

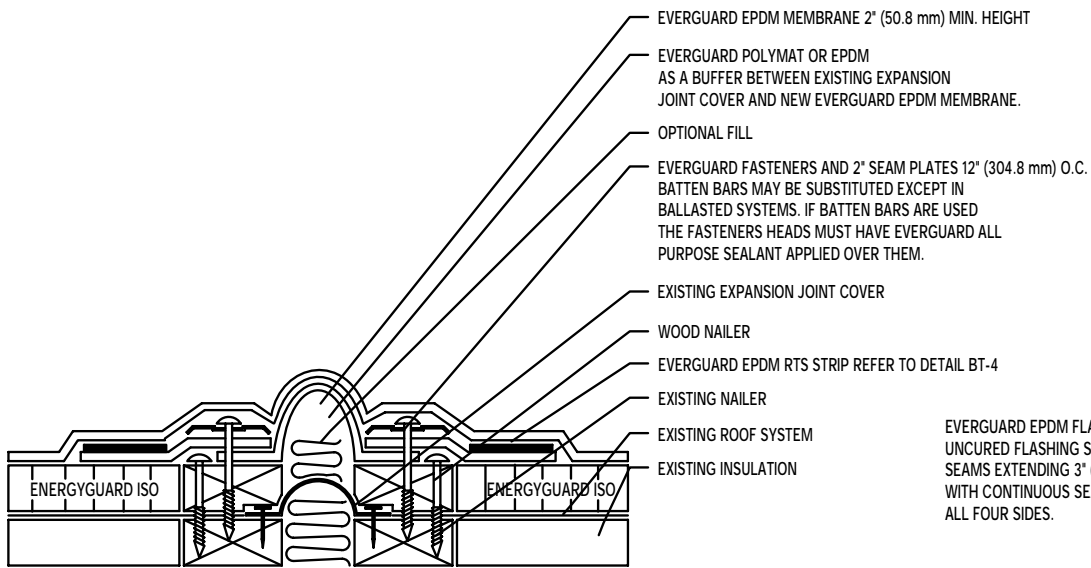
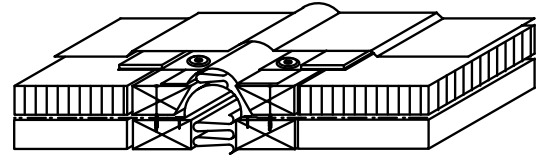
1. DO NOT CROSS EXPANSION JOINT WITH BATTEN BAR.

SYSTEMS: ALL  
FOR USE IN GUARANTEED SYSTEMS: Up to 15 Years

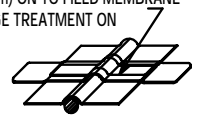
EVERGUARD® EPDM  
Expansion Joint with RTS Strip

September 2002  
Interim Updates at [www.gaf.com](http://www.gaf.com)

**EE-6**



EVERGUARD EPDM FLASHING TAPE OR EVERGUARD EPDM UNCURED FLASHING SET IN SPLICE ADHESIVE OVER FIELD SEAMS EXTENDING 3" (76.2 mm) ON TO FIELD MEMBRANE WITH CONTINUOUS SEAM EDGE TREATMENT ON ALL FOUR SIDES.



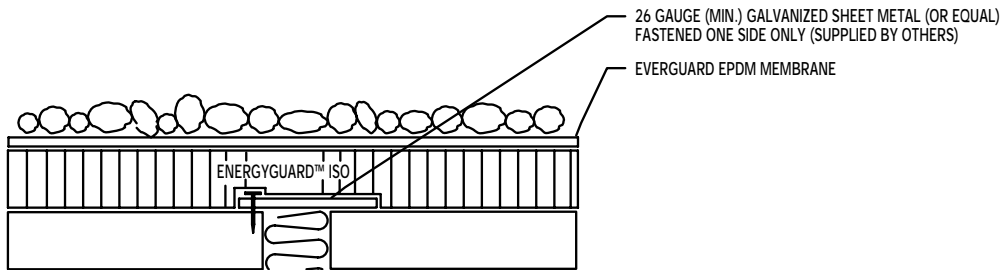
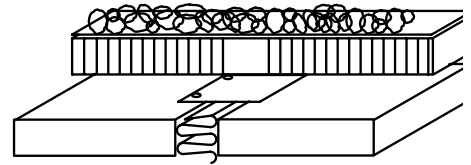
NOTES:

- DO NOT CROSS EXPANSION JOINT WITH BATTEN BAR.

SYSTEMS: ALL  
 FOR USE IN GUARANTEED SYSTEMS: Up to 15 Years

**EE-7**





SYSTEMS: Ballasted  
FOR USE IN GUARANTEED SYSTEMS: Up to 15 Years

EVERGUARD® EPDM  
Expansion Joint

September 2002  
Interim Updates at [www.gaf.com](http://www.gaf.com)

**EE-8**

7i