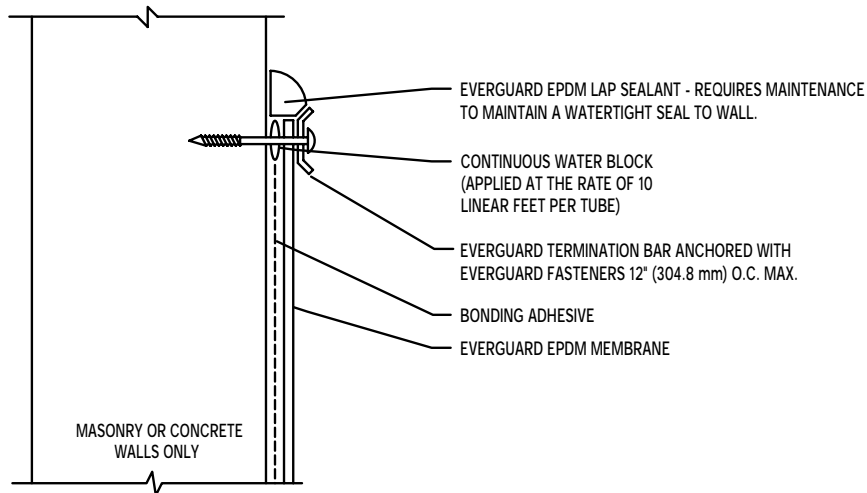
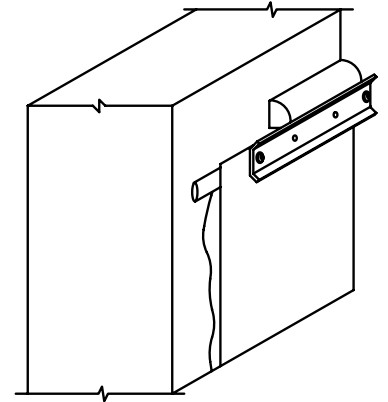


EVERGUARD® EPDM TABLE OF CONTENTS SYSTEM DETAILS

Details No.	EverGuard EPDM	Systems
	Terminations	
ET-1	Termination Bar Flashing Termination	All
ET-2	Termination Bar Flashing Termination	All
ET-3	Termination Bar Step Down & Outside Corner	All
ET-4	Termination Bar At Joint Precast Concrete Panel	All
ET-5	Termination Bar At Wall Expansion Joint	All
ET-6	Intermediate Attachment At Wall Flashing	All
ET-7	Saw Cut Reglet Counterflashing Termination	All
ET-8	Surface Mounted Counterflashing Termination	All
ET-9	Coping Stone Flashing Termination	All
ET-10	EverGuard Coping Cap	All
ET-11	New H.V.A.C. Unit Flashing	All
ET-12	Shingle Base Tie-In With RTS	All

MASONRY AND CONCRETE WALLS MUST BE WATERPROOFED AND MAINTAINED IN ORDER FOR ANY SURFACE MOUNTED TERMINATION TO BE EFFECTIVE.



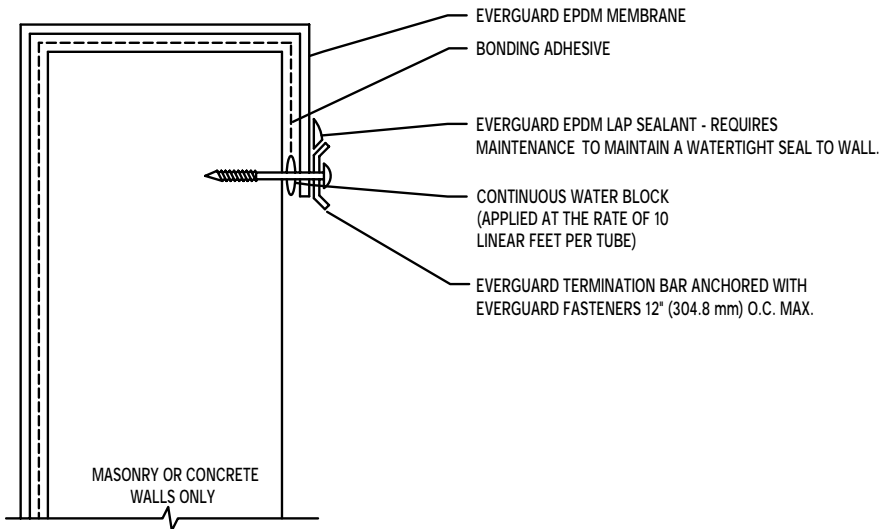
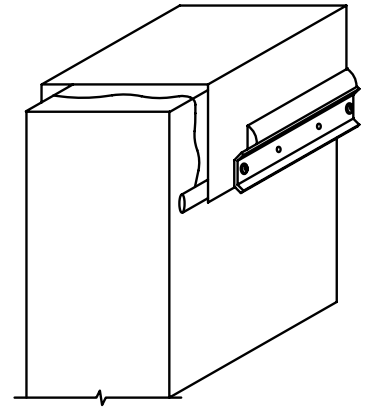
NOTES

1. KEEP EACH LENGTH OF TERMINATION BAR SEPARATED FROM ADJOINING BAR BY 1/4" (6.35 mm).
2. TERMINATION BAR MUST BE INSTALLED DIRECTLY TO WALL SURFACE, NOT TO EXISTING SHEET METAL, FLASHING ETC.
3. INSTALL TERMINATION BAR VERTICALLY WHERE BASE FLASHING ENDS AND APPLY LAP SEALANT TO ALL SIDES OF THE BAR.
4. DO NOT INSTALL TERMINATION BAR TO WOOD SUBSTRATES.
5. AT INSIDE AND OUTSIDE CORNERS, TERMINATION BAR MUST BE CUT. DO NOT BEND AROUND CORNERS.
6. TERMINATION BAR MUST BE FASTENED 1" (25.4 mm) MAX. IN FROM END OF ALL SECTIONS.
7. REFER TO DETAIL ET-6 FOR HIGH WALL FLASHINGS.
8. REFER TO DETAIL ET-4 OR ET-5 FOR EXPANSION JOINTS.

SYSTEMS: ALL
FOR USE IN GUARANTEED SYSTEMS: Up to 15 Years

ET-1

MASONRY AND CONCRETE WALLS MUST BE WATERPROOFED AND MAINTAINED IN ORDER FOR ANY SURFACE MOUNTED TERMINATION TO BE EFFECTIVE.



NOTES

1. KEEP EACH LENGTH OF TERMINATION BAR SEPARATED FROM ADJOINING BAR BY 1/4" (6.35 mm).
2. TERMINATION BAR MUST BE INSTALLED DIRECTLY TO WALL SURFACE, NOT TO EXISTING SHEET METAL, FLASHING ETC.
3. INSTALL TERMINATION BAR VERTICALLY WHERE BASE FLASHING ENDS AND APPLY LAP SEALANT TO ALL SIDES OF THE BAR.
4. DO NOT INSTALL TERMINATION BAR TO WOOD SUBSTRATES.
5. AT INSIDE AND OUTSIDE CORNERS, TERMINATION BAR MUST BE CUT. DO NOT BEND AROUND CORNERS.
6. TERMINATION BAR MUST BE FASTENED 1" (25.4 mm) MAX. IN FROM END OF ALL SECTIONS.
7. REFER TO DETAIL ET-6 FOR HIGH WALL FLASHINGS.

SYSTEMS: ALL
FOR USE IN GUARANTEED SYSTEMS: Up to 15 Years

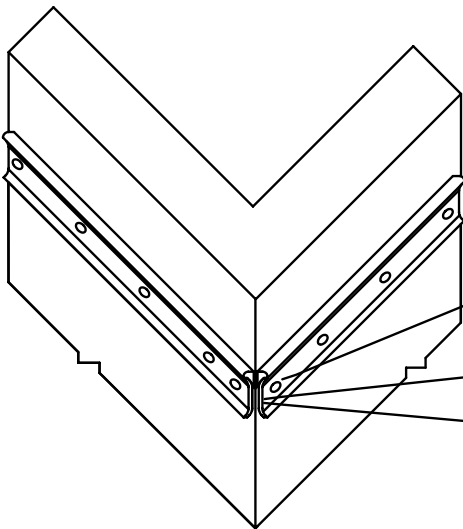
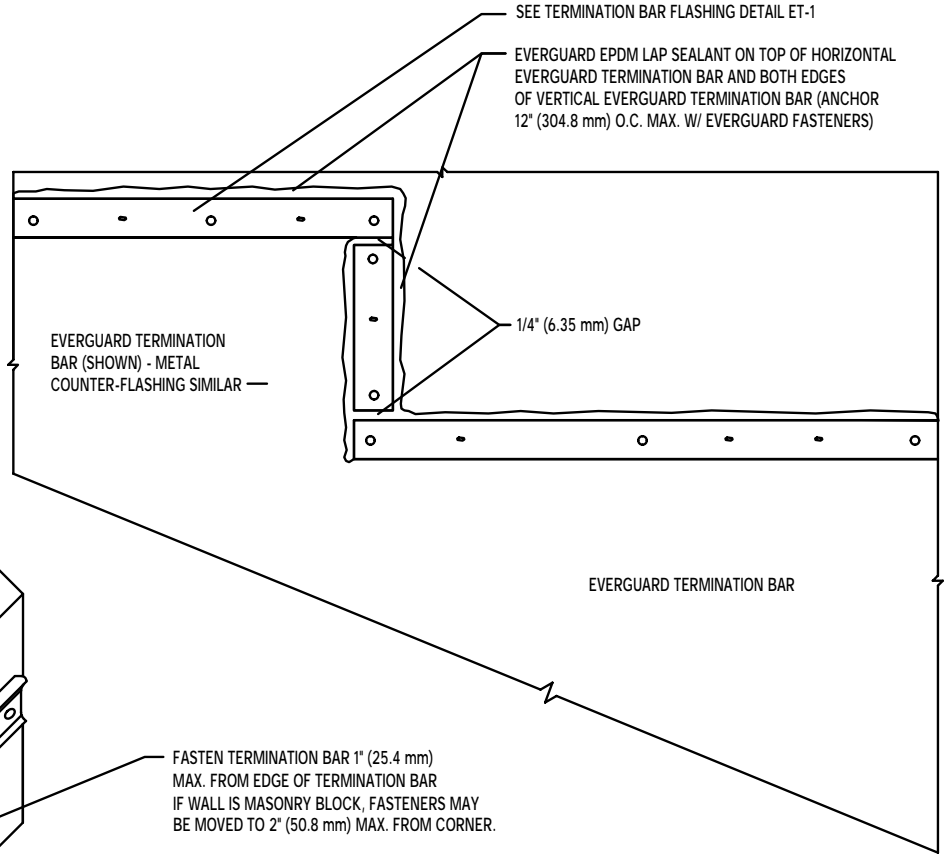
EVERGUARD® EPDM
Termination Bar Flashing Termination

September 2002
Interim Updates at www.gaf.com

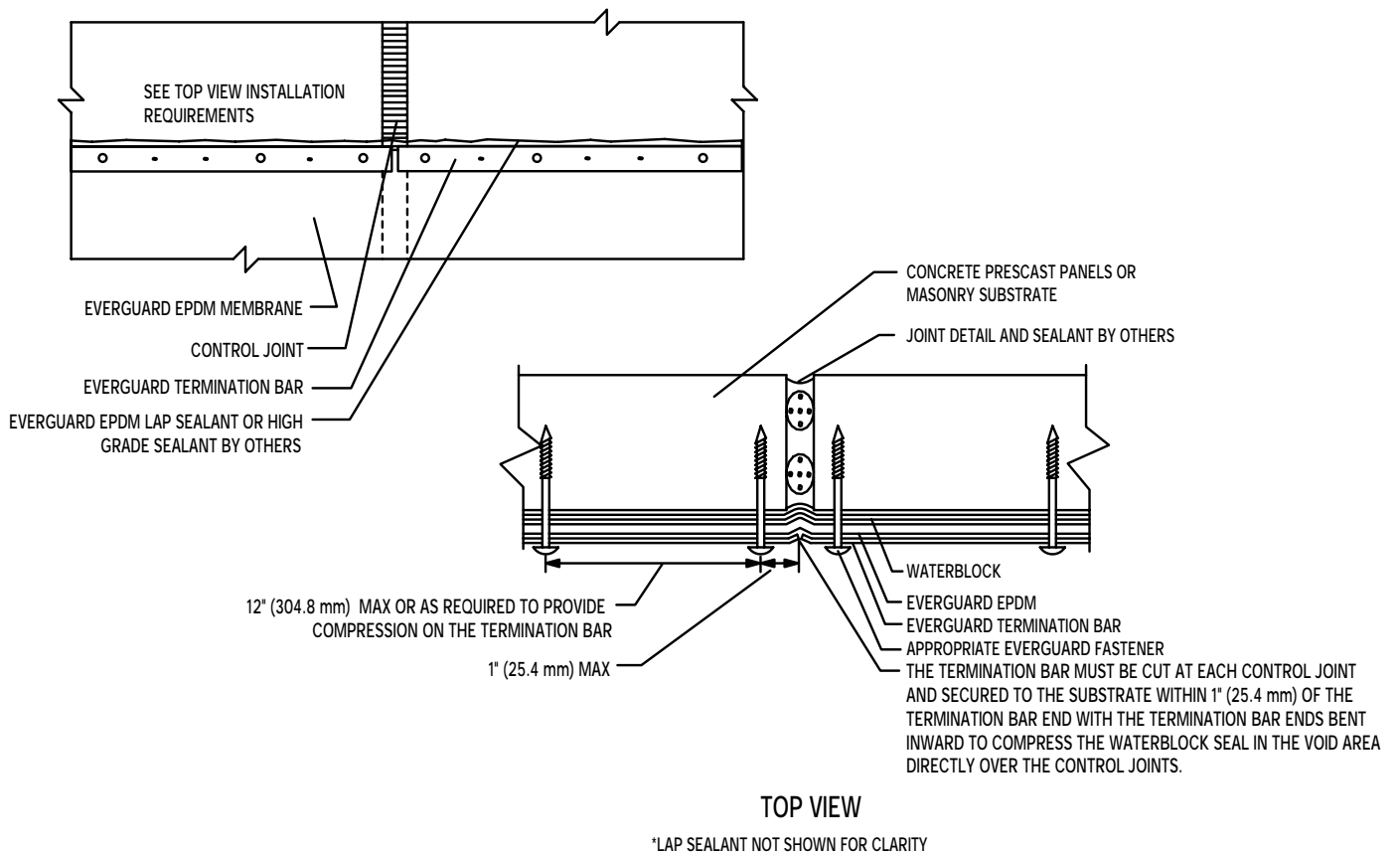
ET-2

NOTES:

1. A MINIMUM OF 2 FASTENERS ARE REQUIRED IN EACH PIECE OF TERMINATION BAR OR 12" (304.8 mm) O.C..
2. SURFACE MOUNTED COUNTERFLASHING IS INSTALLED IN A SIMILAR FASHION.



- FASTEN TERMINATION BAR 1" (25.4 mm) MAX. FROM EDGE OF TERMINATION BAR IF WALL IS MASONRY BLOCK, FASTENERS MAY BE MOVED TO 2" (50.8 mm) MAX. FROM CORNER.
- EVERGUARD TERMINATION BAR MUST BE CUT AT ALL OUTSIDE AND INSIDE CORNERS
- TERMINATION BAR 1/4" (6.35 mm) MAX. FROM CORNER



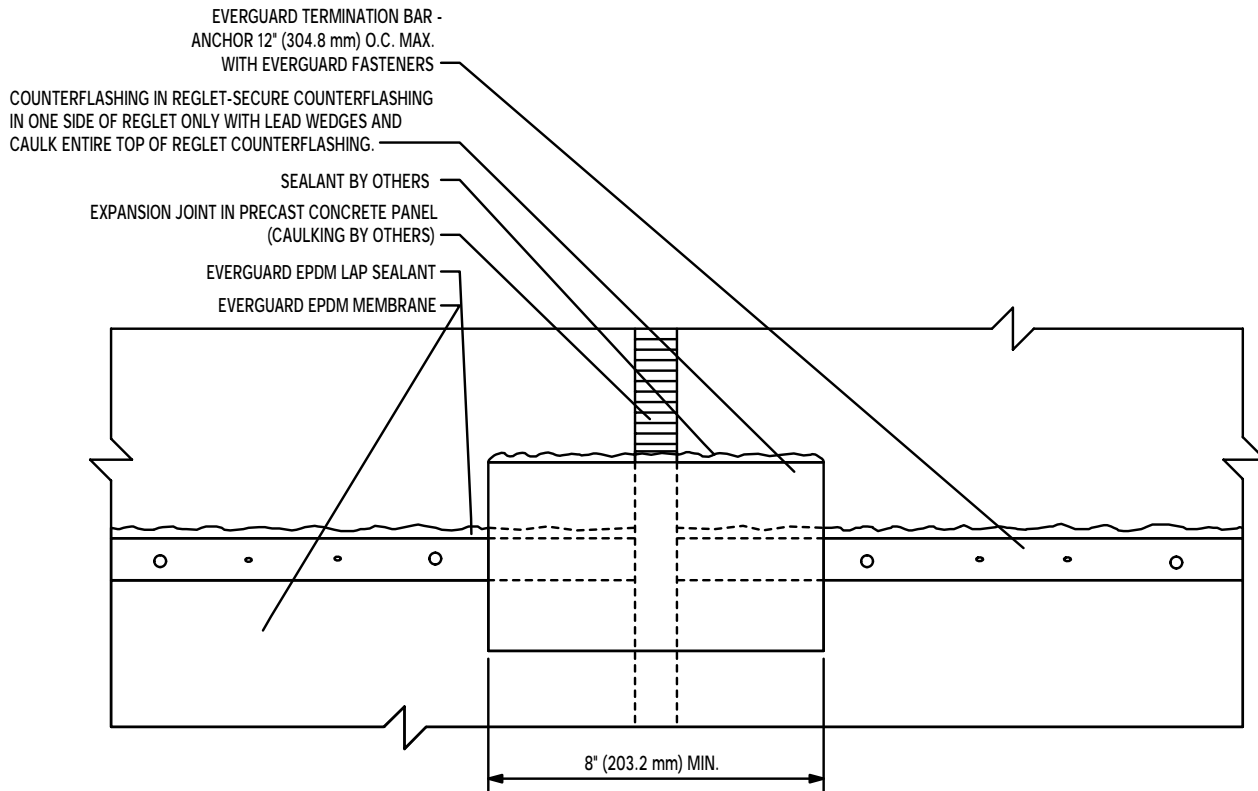
SYSTEMS: ALL
 FOR USE IN GUARANTEED SYSTEMS: Up to 15 Years

EVERGUARD® EPDM
 Termination Bar at Joint in Precast Concrete Panel

September 2002
 Interim Updates at www.gaf.com

ET-4

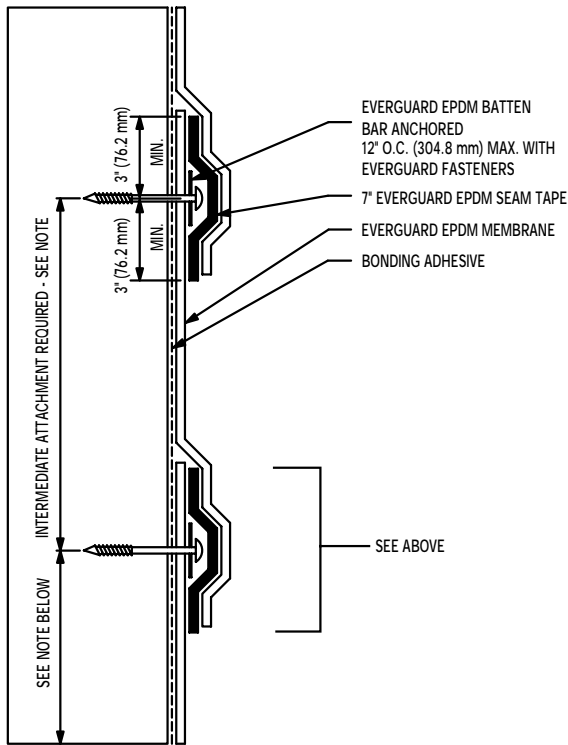
75



NOTES:

1. DO NOT CROSS EXPANSION JOINT WITH TERMINATION BAR OR BASE TIE-IN.
2. CUT REGLET LONG ENOUGH TO ALLOW FOR MOVEMENT OF COUNTERFLASHING.
3. CONSULT PROJECT ARCHITECT / ENGINEER FOR ACCEPTABILITY OF DETAIL.

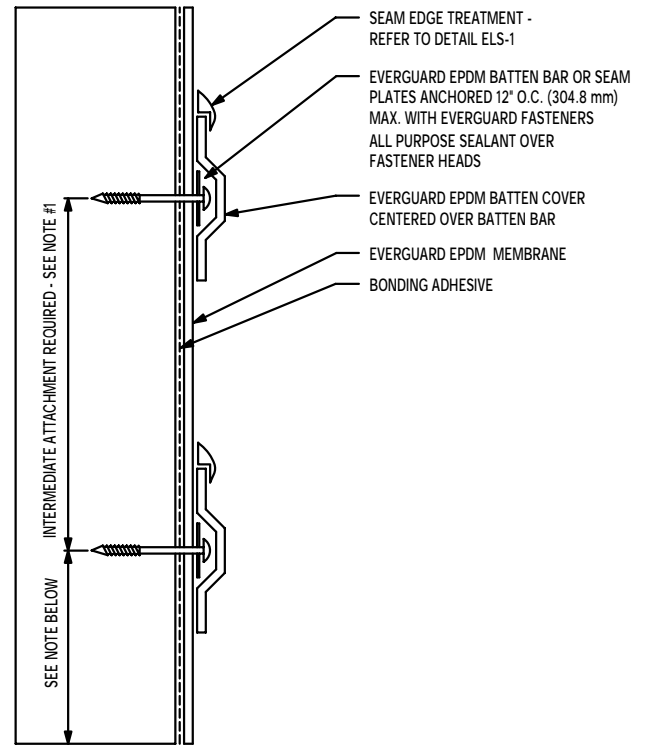
A.



*SPLICE ADHESIVE MAY BE SUBSTITUTED IN DETAIL A ONLY.

- INTERMEDIATE ATTACHMENT IS REQUIRED AS FOLLOWS:
- UP TO 5' (1.5M) WALL HEIGHT - NONE REQUIRED
 - 5' (1.5M) - 10' (3M) WALL HEIGHT - ONE ATTACHMENT AT 1/2 THE WALL HEIGHT
 - ABOVE 10' (3M) - ONE ATTACHMENT EVERY 3' (1M)

B.



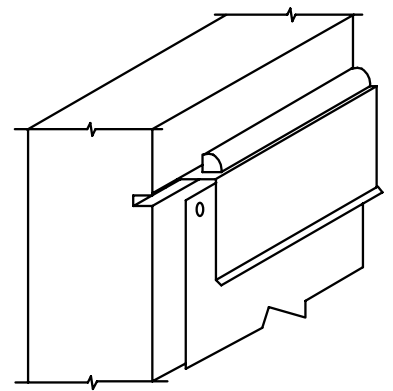
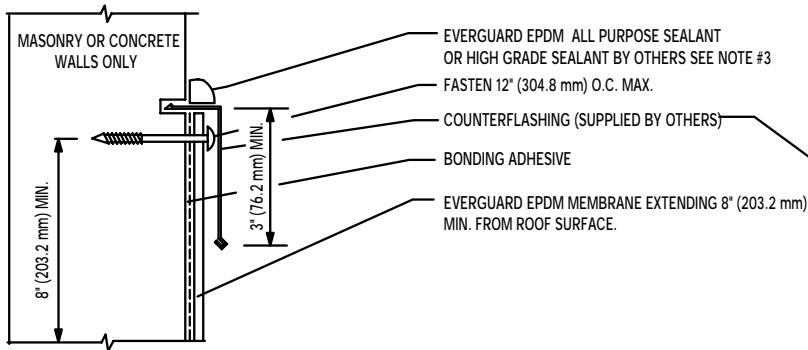
THERE ARE SOME CONDITIONS WHICH DO NOT REQUIRE INTERMEDIATE ATTACHMENT. REFER TO EVERGUARD EPDM'S APPLICATION SPECIFICATIONS FOR MORE INFORMATION

SYSTEMS: ALL
FOR USE IN GUARANTEED SYSTEMS: Up to 20 Years

EVERGUARD® EPDM
Intermediate Attachment at Wall Flashing

September 2002
Interim Updates at www.gaf.com

ET-6



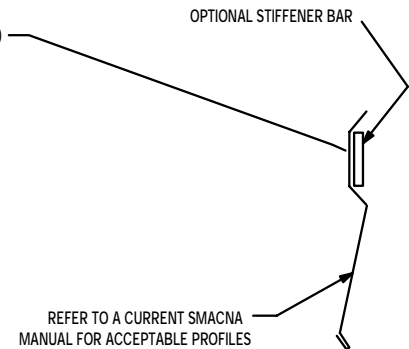
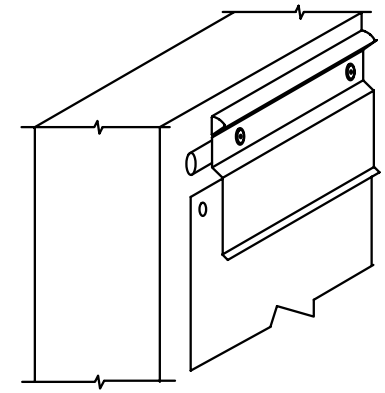
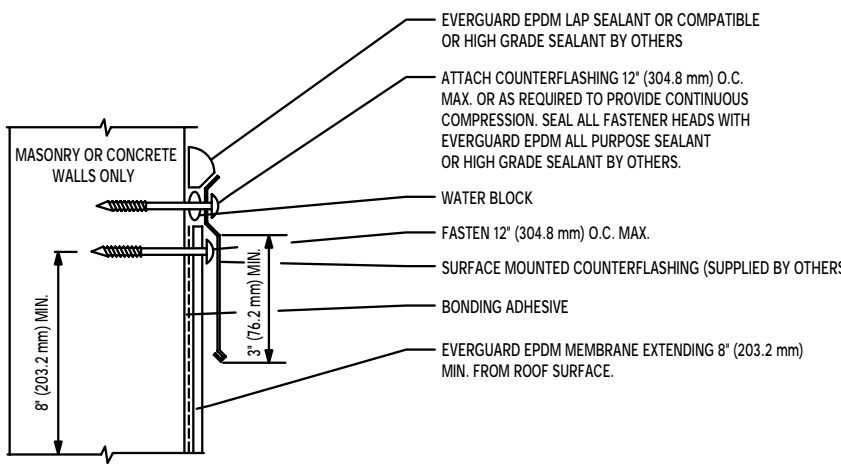
REFER TO A CURRENT SMACNA
MANUAL FOR ACCEPTABLE PROFILES

- NOTES:
1. REFER TO DETAIL ET-6 FOR HIGH WALL FLASHINGS.
 2. ATTACHMENT OF THE COUNTERFLASHING IS THE RESPONSIBILITY OF THE SPECIFIER.
 3. REGULAR MAINTENANCE OF COUNTERFLASHING AND SEALANTS REQUIRED. NOT INCLUDED AS PART OF THE GAFMC WARRANTY.

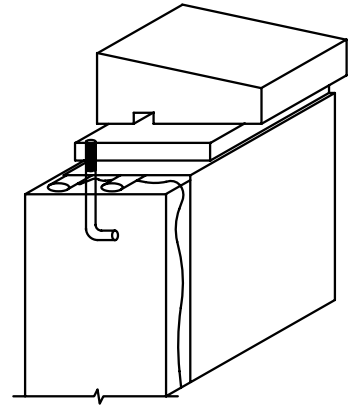
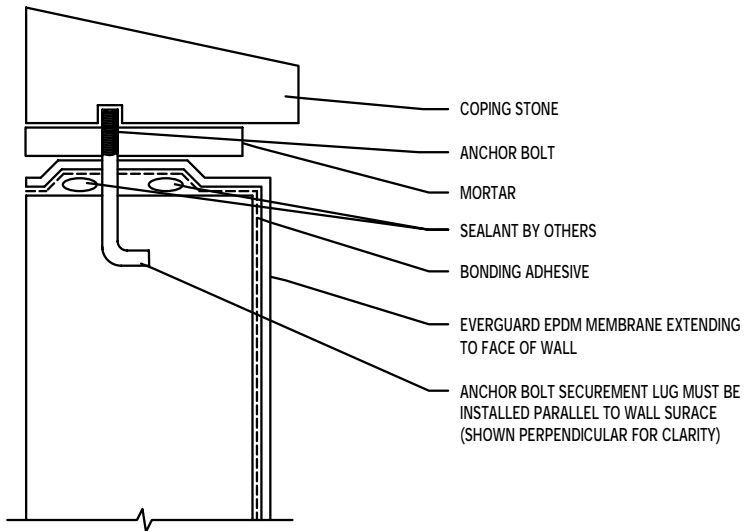
SYSTEMS: ALL
FOR USE IN GUARANTEED SYSTEMS: Up to 15 Years

ET-7

MASONRY AND CONCRETE WALLS MUST BE WATERPROOFED AND MAINTAINED IN ORDER FOR ANY SURFACE MOUNTED TERMINATION TO BE EFFECTIVE.



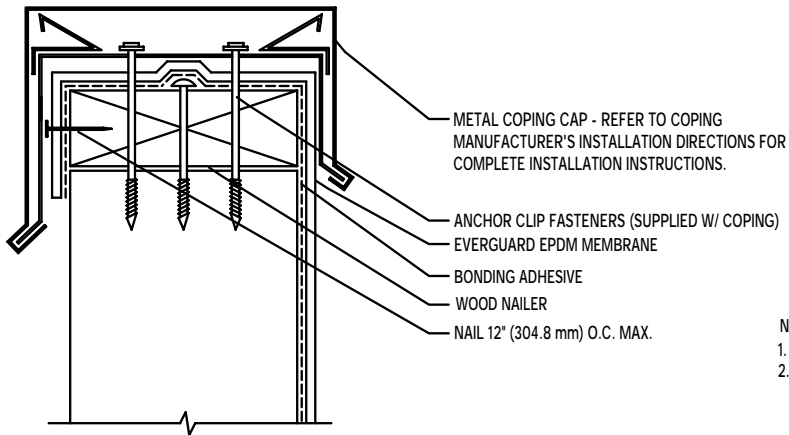
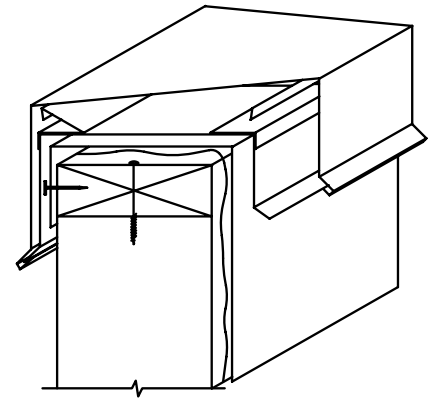
- NOTES:
1. REFER TO DETAIL ET-6 FOR HIGH WALL FLASHINGS.
 2. ATTACHMENT OF THE COUNTERFLASHING IS THE RESPONSIBILITY OF THE SPECIFIER.
 3. REGULAR MAINTENANCE OF COUNTERFLASHING AND SEALANTS REQUIRED. NOT INCLUDED AS PART OF THE GAFMC WARRANTY.



NOTES:

1. REFER TO DETAIL ET-6 FOR HIGH WALL FLASHINGS.
2. WATERTIGHT INTEGRITY OF THE WALL AND COPING MUST BE MAINTAINED BY OTHERS.
3. COPING STONE ATTACHMENT IS THE RESPONSIBILITY OF THE SPECIFIER.

SYSTEMS: ALL
FOR USE IN GUARANTEED SYSTEMS: Up to 20 Years



NOTES:

1. REFER TO DETAIL ET-6 FOR HIGH WALL FLASHINGS.
2. METAL COPING (MANUFACTURED BY OTHERS) IS ACCEPTABLE FOR USE IN THIS DETAIL PROVIDED FABRICATION AND INSTALLATION IS IN ACCORDANCE WITH CURRENT SMACNA RECOMMENDATIONS. HOWEVER, WATERTIGHT INTEGRITY OF WALL AND METAL COPING SHALL BE ENSURED BY OTHERS AND BE EXCLUDED FROM WARRANTY COVERAGE.

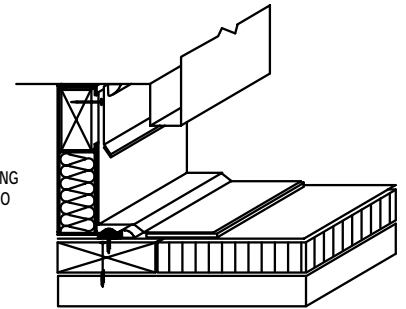
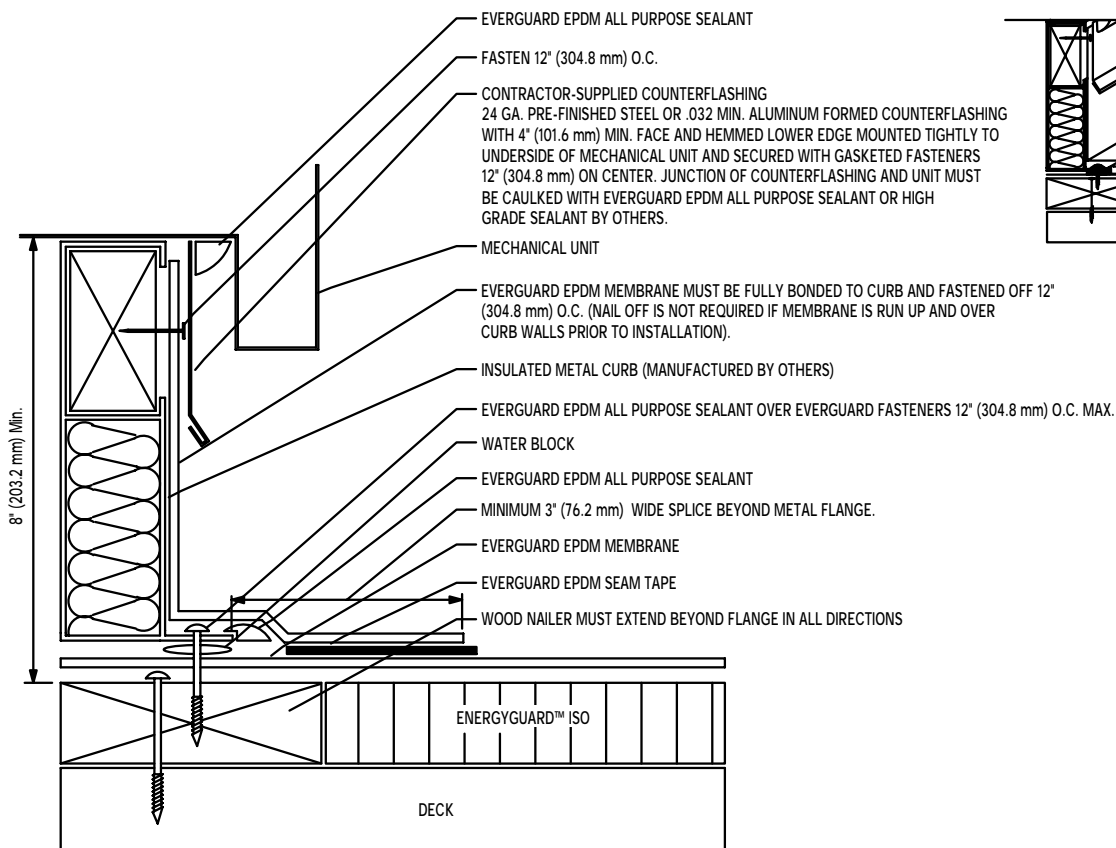
SYSTEMS: ALL
FOR USE IN GUARANTEED SYSTEMS: Up to 20 Years

EVERGUARD® EPDM
Metal Coping Cap

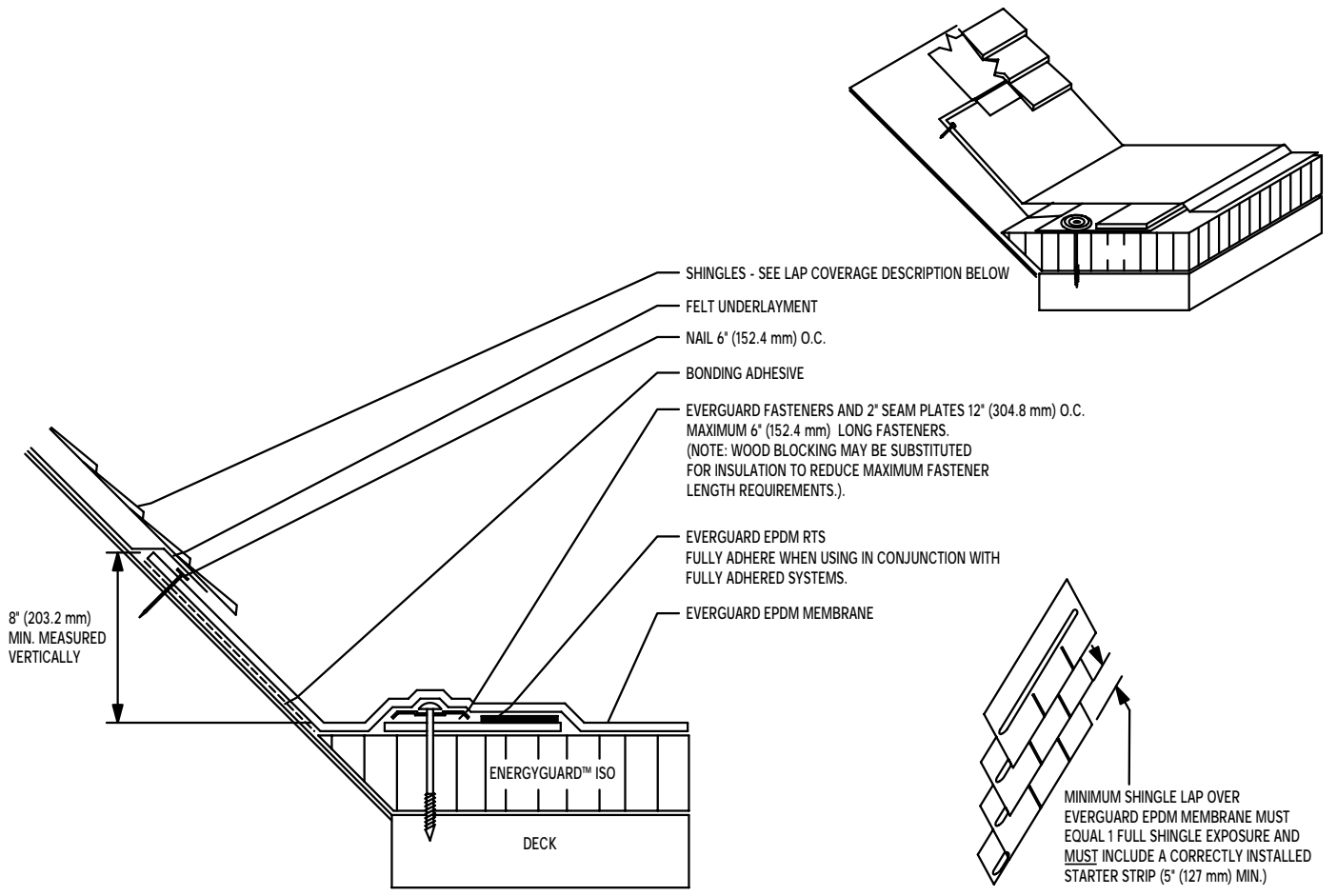
September 2002
Interim Updates at www.gaf.com

ET-10

81



SYSTEMS: ALL
FOR USE IN GUARANTEED SYSTEMS: Up to 15 Years



SYSTEMS: ALL
 FOR USE IN GUARANTEED SYSTEMS: Up to 15 Years

EVERGUARD® EPDM
 Shingle Base Tie-In With RTS

September 2002
 Interim Updates at www.gaf.com

ET-12