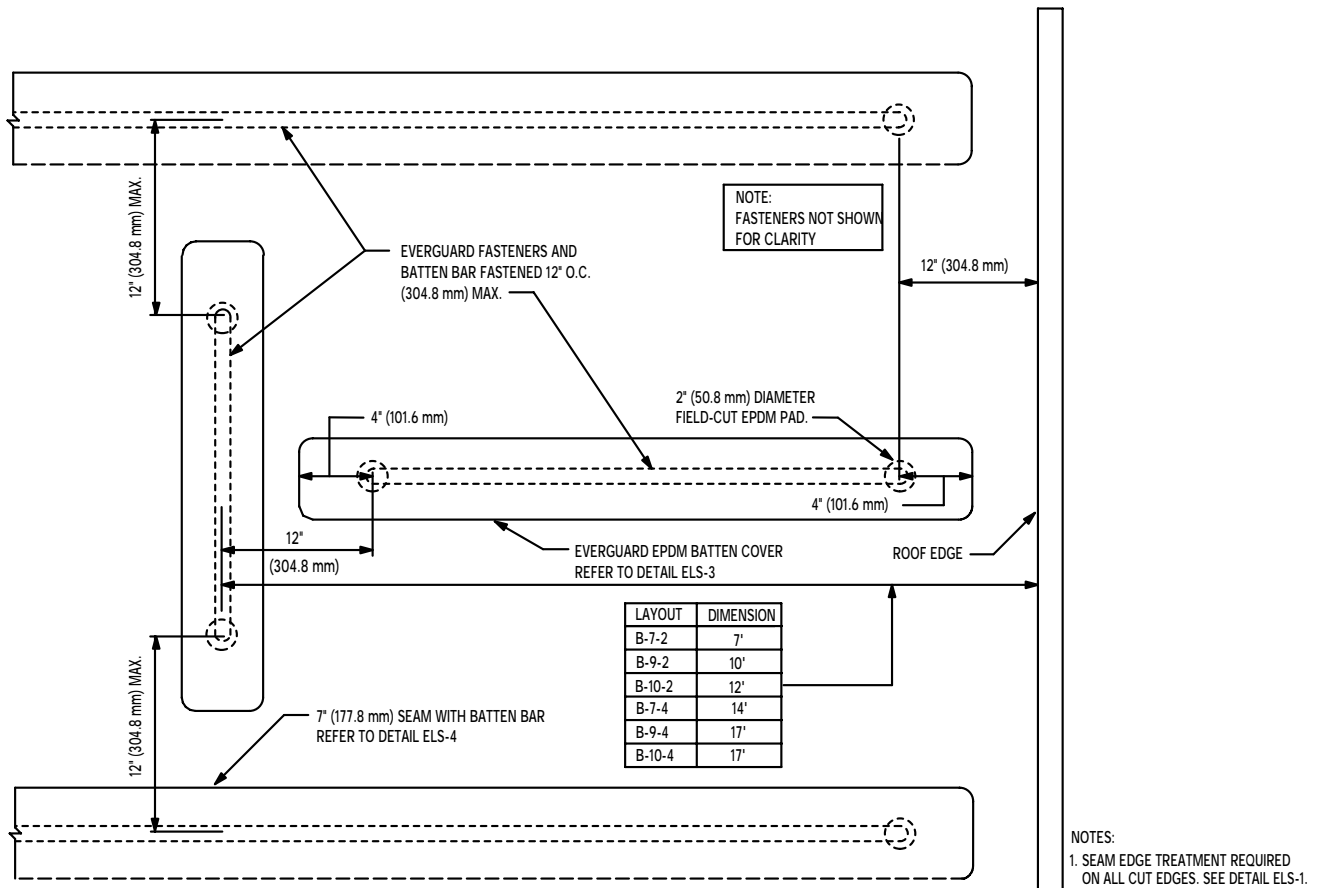


EverGuard® EPDM Table of Contents System Details

Details No.	EverGuard EPDM	Systems
	Systems Specific	
EB-1	EverGuard EPDM Batten Cover Layout At "T" Perimeter	Batten-In-The-Seam
EB-2	EverGuard EPDM Batten Cover Strip End Lap	Batten-In-The-Seam
EB-3	EverGuard EPDM Batten Cover Strip End Over Field Seams	Batten-In-The-Seam
EB-4	Fully Adhered Perimeter	Batten-In-The-Seam
EB-5	Mechanically Attached Perimeter	Batten-In-The-Seam
EB-6	Fully Adhered Perimeter Using RTS	Batten-In-The-Seam
EB-7	Mechanically Attached Perimeter Using RTS	Batten-In-The-Seam
EB-8	Mechanically Attached Batten Bar Layout With RTS	Mechanically Attached
EMA-1	EverGuard EPDM Batten Cover At "T" Intersection	Mechanically Attached
EMA-2	EverGuard EPDM Batten Cover At Corners	Mechanically Attached
EMA-3	EverGuard EPDM Batten Cover Strip End Lap	Mechanically Attached
EMA-4	EverGuard EPDM Batten Cover Strip Over Field Seams	Mechanically Attached
EMA-5	Fully Adhered Perimeter	Mechanically Attached
EMA-6	Fully Adhered Perimeter With Continuous Membrane	Mechanically Attached
EMA-7	Batten Cover With RTS	Mechanically Attached
EMA-8	Batten Cover At Corners With RTS	Mechanically Attached
ER-2	EverGuard EPDM Batten Cover Strip End Lap	Reinforced
ER-3	EverGuard EPDM Batten Cover Strip Over Field Seams	Reinforced
ER-4	Fully Adhered Perimeter	Reinforced
ER-5	Mechanically Attached Perimeter	Reinforced
ER-6	Fully Adhered Perimeter Using RTS	Reinforced
ER-7	Mechanically Attached Perimeter Using RTS	

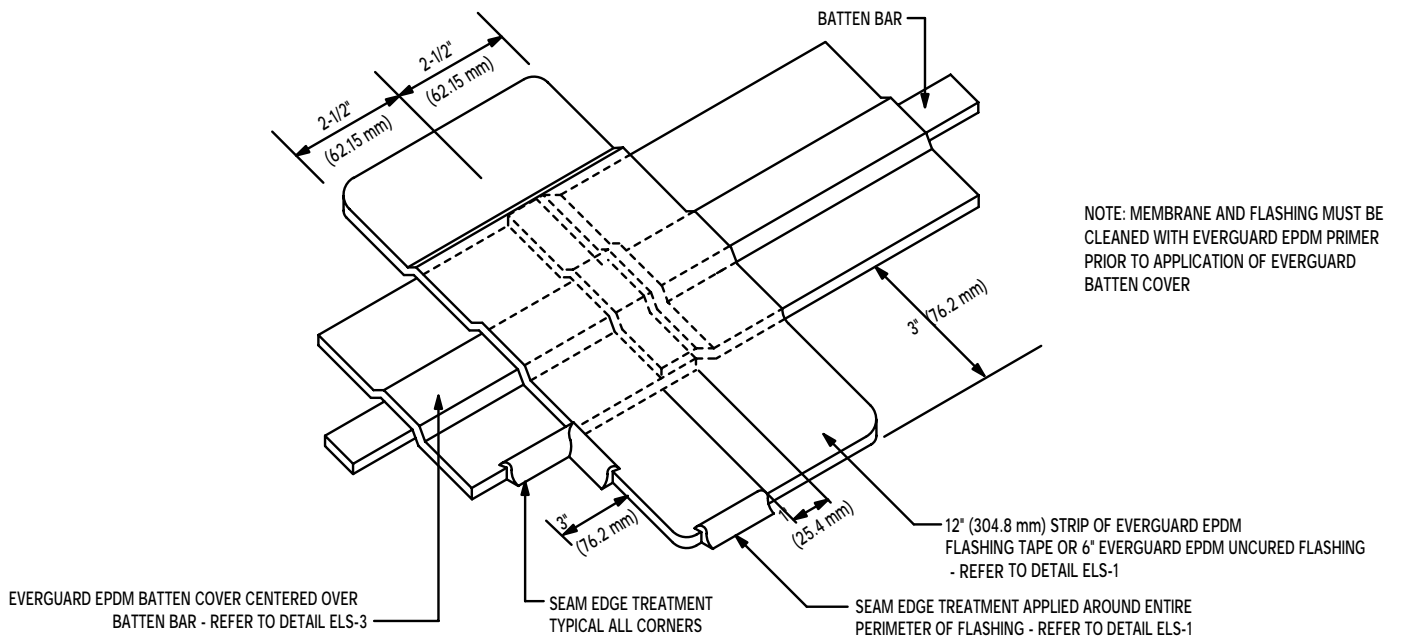


SYSTEMS: Batten In The Seam
FOR USE IN GUARANTEED SYSTEMS: Up to 15 Years

EVERGUARD® EPDM
EverGuard EPDM Batten Cover Layout at "T" Perimeter

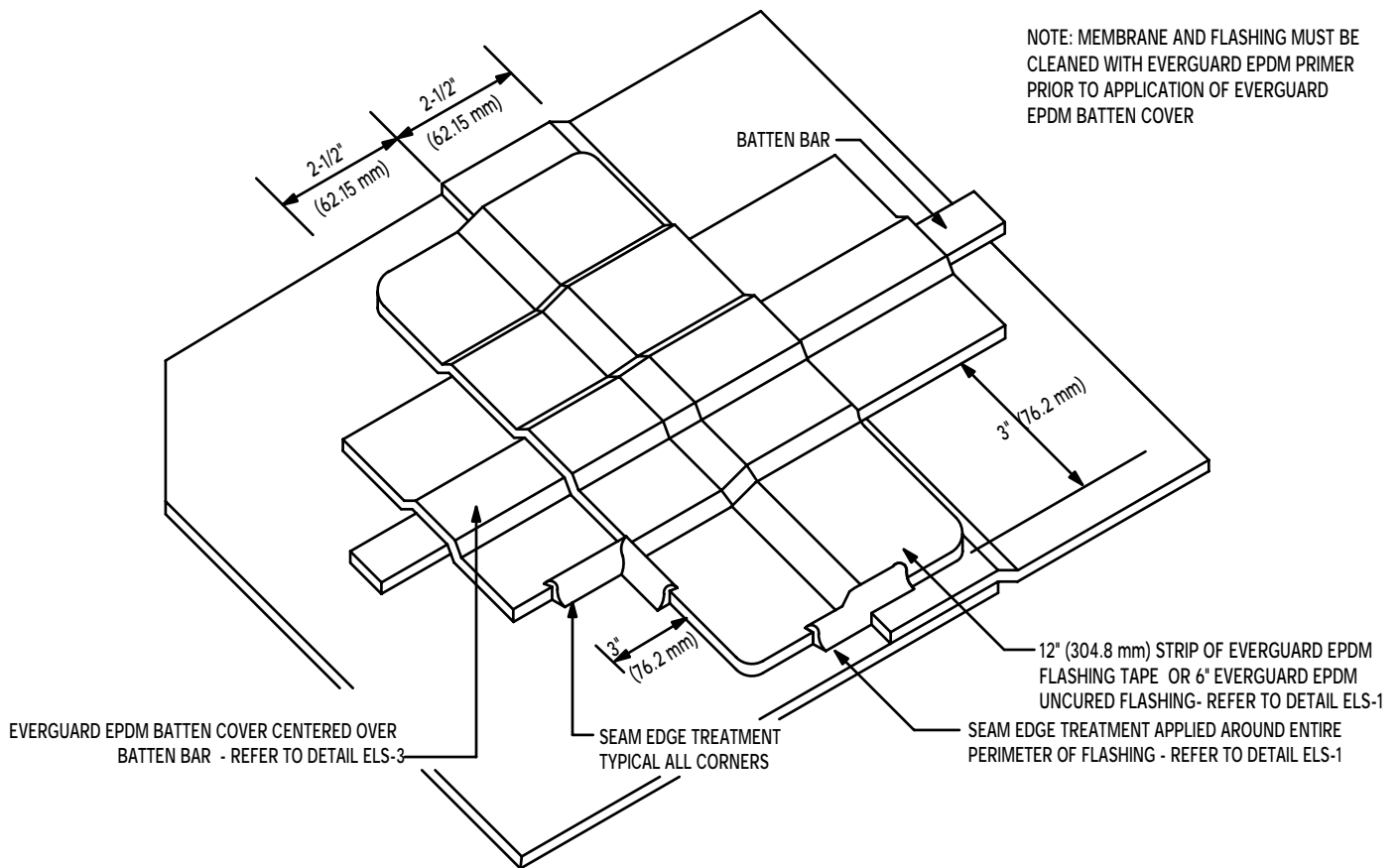
September 2002
Interim Updates at www.gaf.com

EB-1



SYSTEMS: Batten-In-The-Seam
 FOR USE IN GUARANTEED SYSTEMS: Up to 15 Years

EB-2

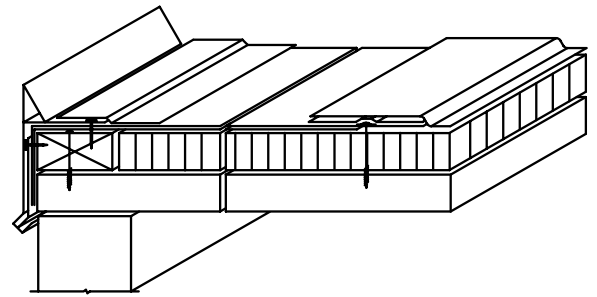


SYSTEMS: Batten-In-The-Seam
 FOR USE IN GUARANTEED SYSTEMS: Up to 15 Years

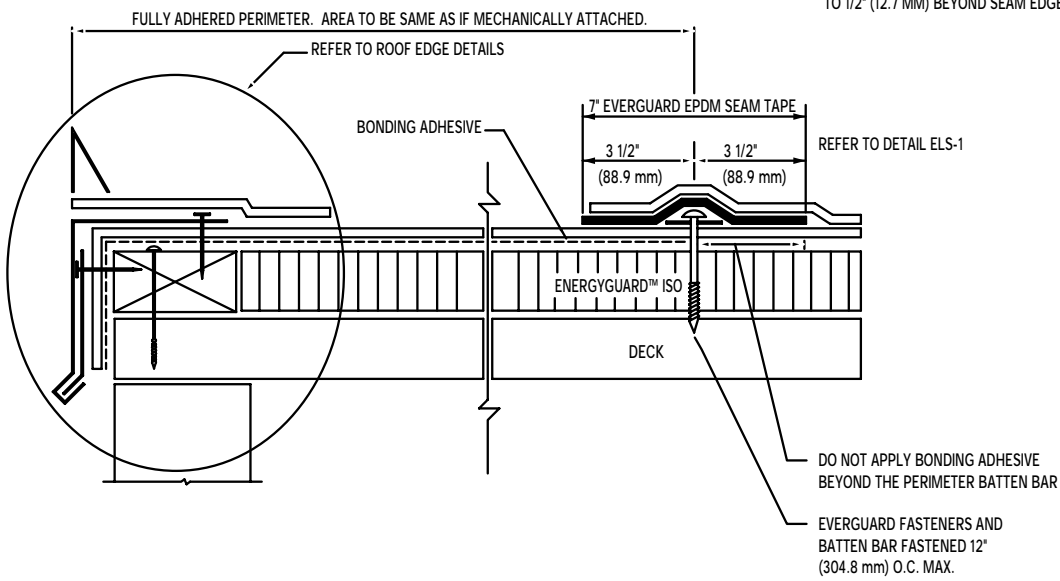
EVERGUARD® EPDM
 EverGuard EPDM Batten Cover Strip Over Field Seams

September 2002
 Interim Updates at www.gaf.com

EB-3

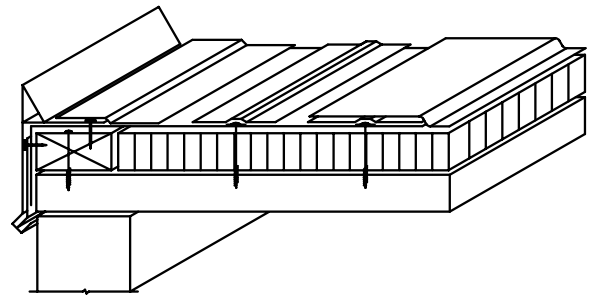


NOTE: TAPE SHALL EXTEND 1/8" (3.1 MM) TO 1/2" (12.7 MM) BEYOND SEAM EDGE.

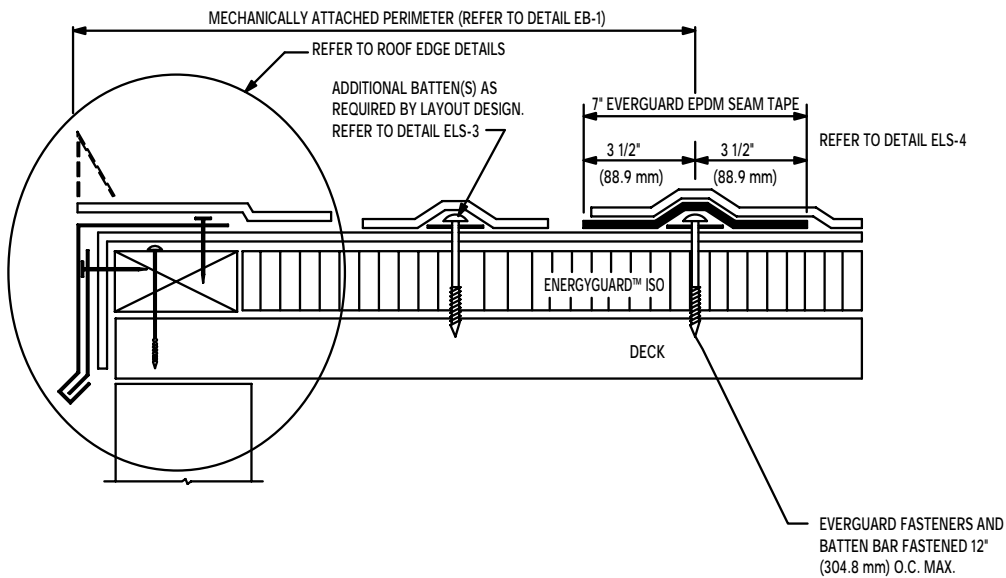


SYSTEMS: Batten-In-The-Seam
 FOR USE IN GUARANTEED SYSTEMS: Up to 15 Years

EB-4



NOTE: TAPE SHALL EXTEND 1/8" (3.1 MM)
TO 1/2" (12.7 MM) BEYOND SEAM EDGE.



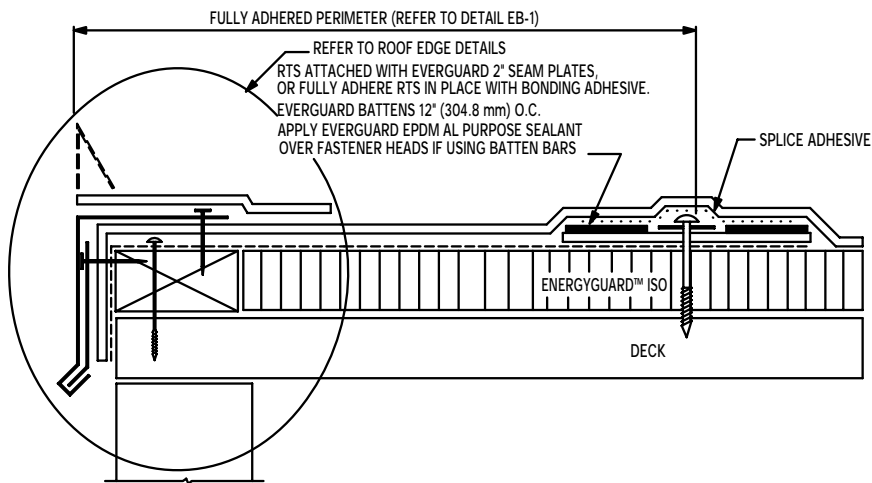
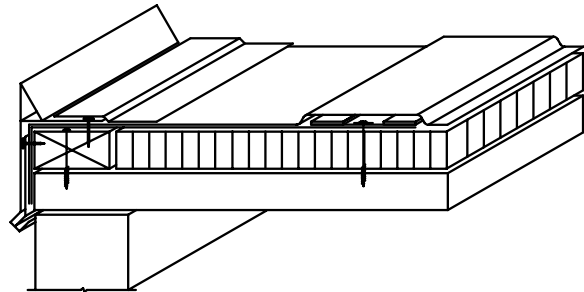
SYSTEMS: Batten-In-The-Seam
FOR USE IN GUARANTEED SYSTEMS: Up to 15 Years

EVERGUARD® EPDM
Mechanically Attached Perimeter

September 2002
Interim Updates at www.gaf.com

EB-5

93

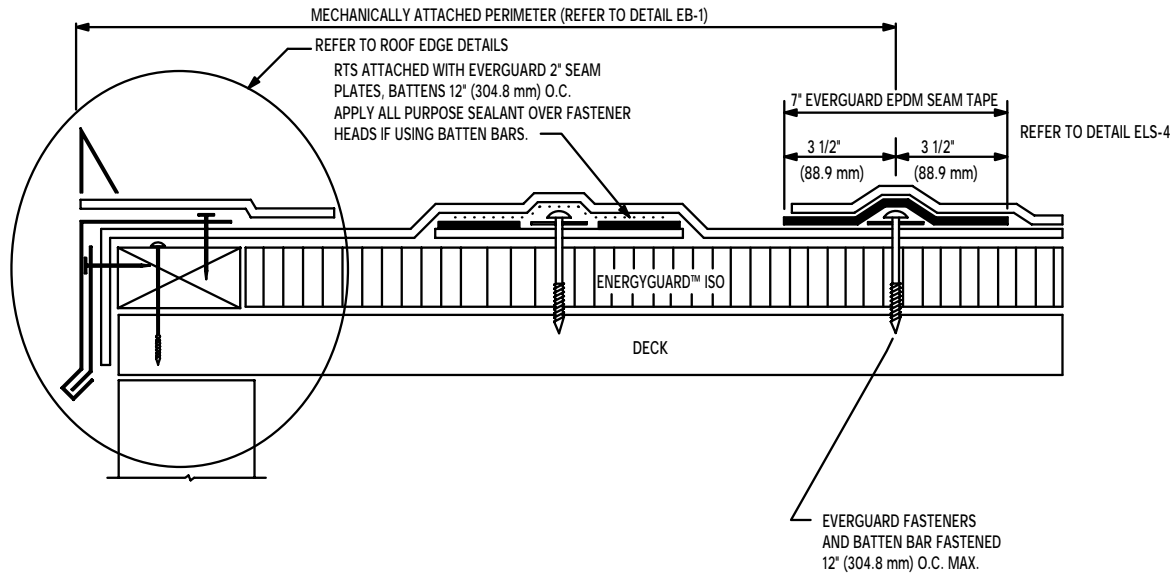
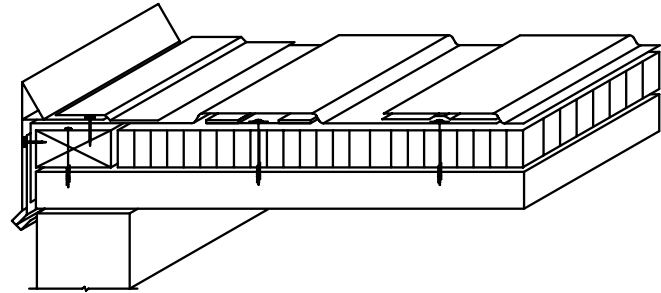


NOTE:
 1. TAPE SHALL EXTEND 1/8" (3.1 mm)
 TO 1/2" (12.7 mm) BEYOND SEAM EDGE.

SYSTEMS: Batten-In-The-Seam
 FOR USE IN GUARANTEED SYSTEMS: Up to 15 Years

EB-6

T¹ TYPE PERIMETER ATTACHMENT (DETAIL EB-1) CAN ALSO BE COMPLETED BY INSTALLING THE RTS STRIP BENEATH THE MEMBRANE. IN ADDITION, RTS CAN BE INSTALLED IN A LINEAR ARRANGEMENT PER EVERGUARD EPDM WIND DESIGN GUIDE.



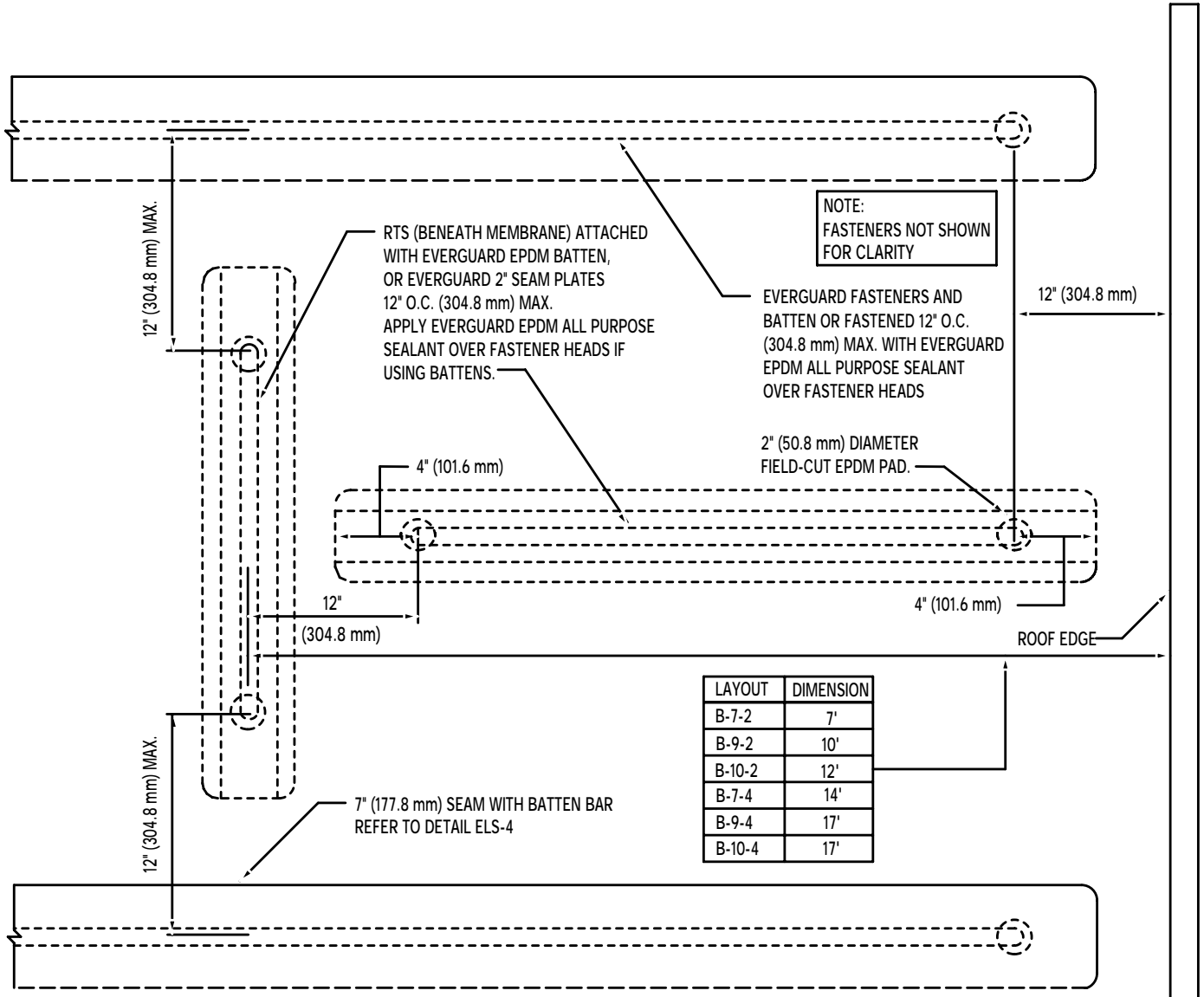
NOTE:
 1. REFER TO THE WIND DESIGN GUIDE TO DETERMINE THE REQUIRED NUMBER OF RTS PIECES

SYSTEMS: Batten-In-The-Seam
 FOR USE IN GUARANTEED SYSTEMS: Up to 15 Years

EVERGUARD® EPDM
 Mechanically Attached Perimeter using RTS

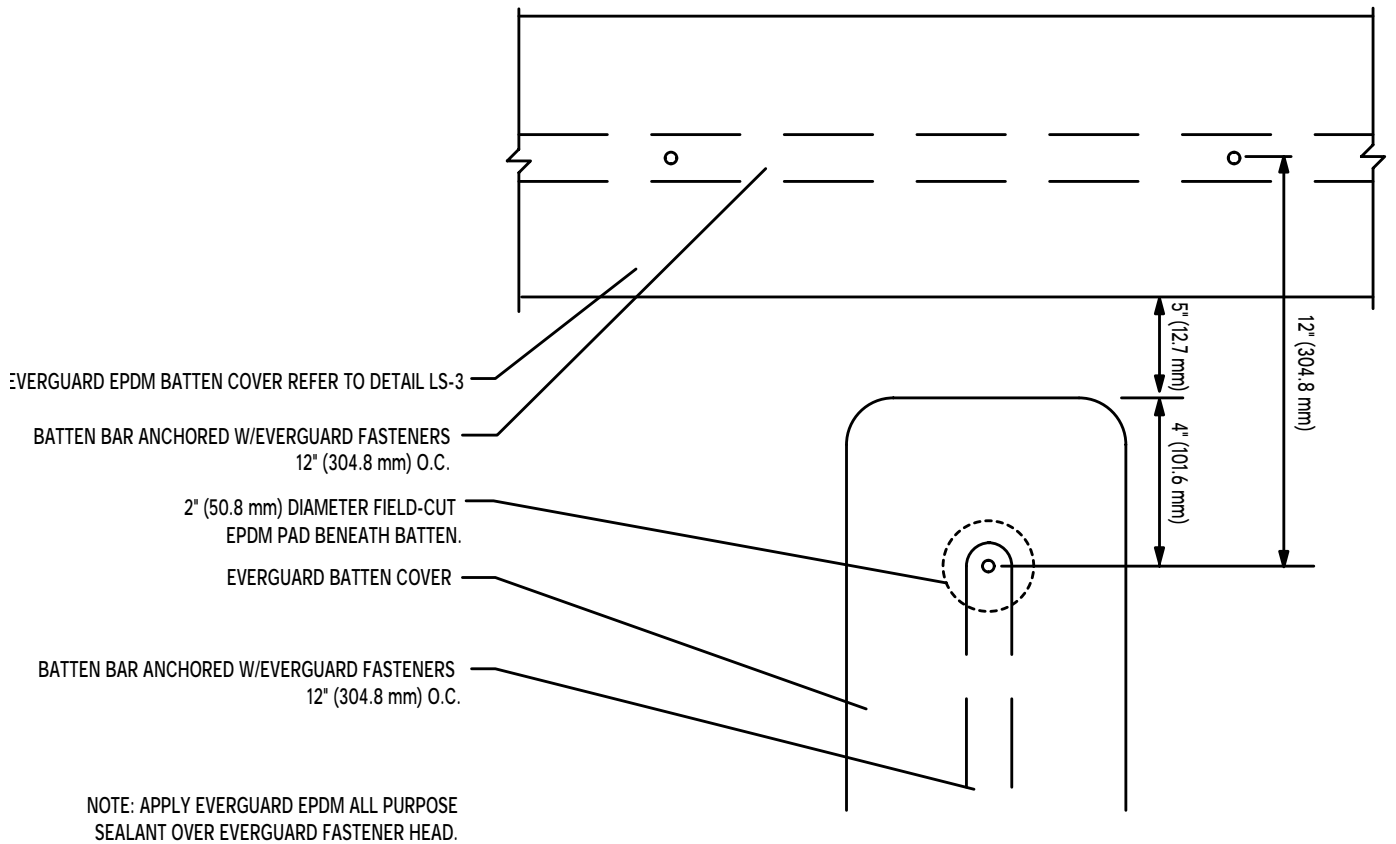
September 2002
 Interim Updates at www.gaf.com

EB-7



SYSTEMS: Mechanically Attached
 FOR USE IN GUARANTEED SYSTEMS: Up to 15 Years

EB-8

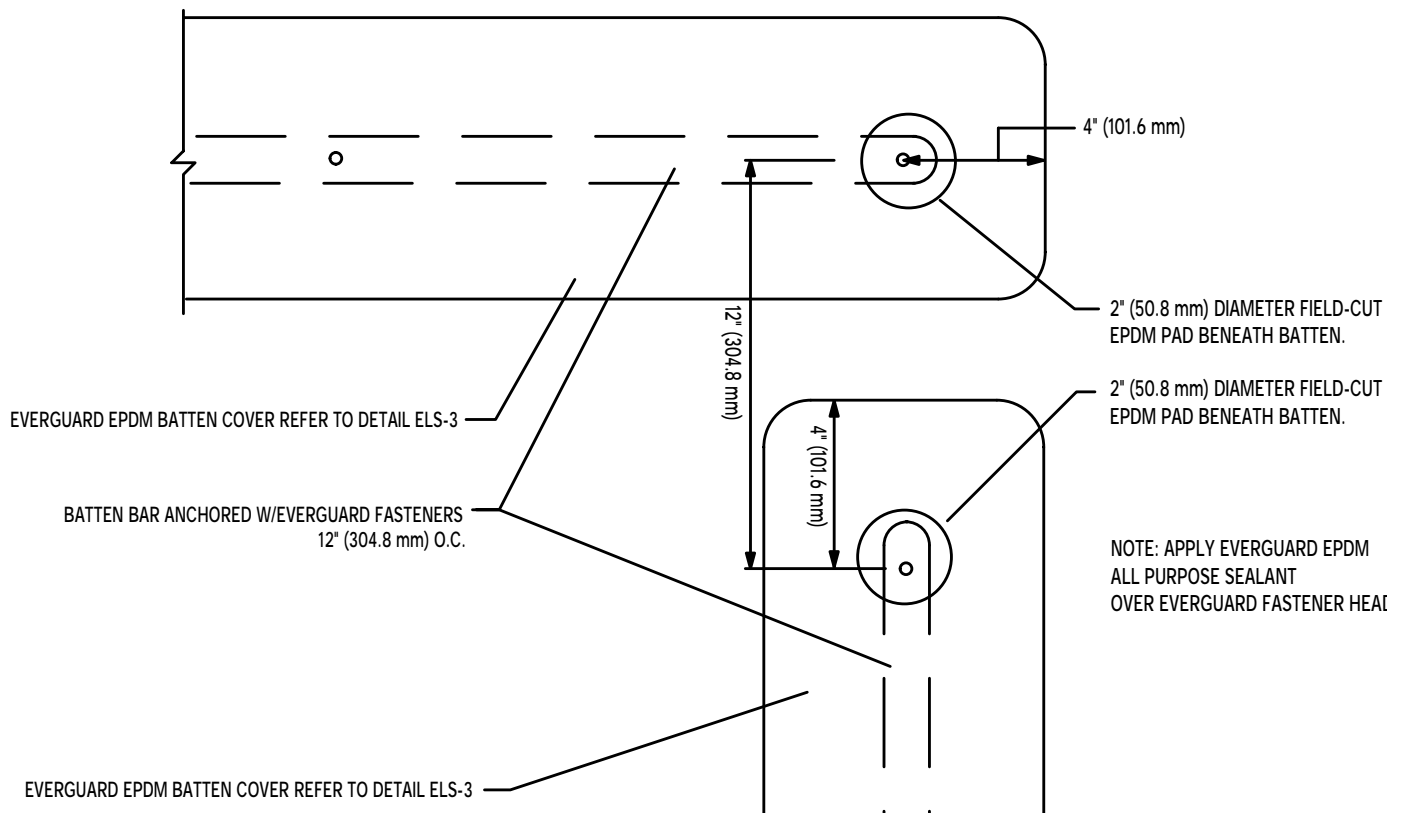


SYSTEMS: Mechanically Attached
FOR USE IN GUARANTEED SYSTEMS: Up to 15 Years

EVERGUARD® EPDM
EverGuard EPDM Batten Cover at "T" Intersection

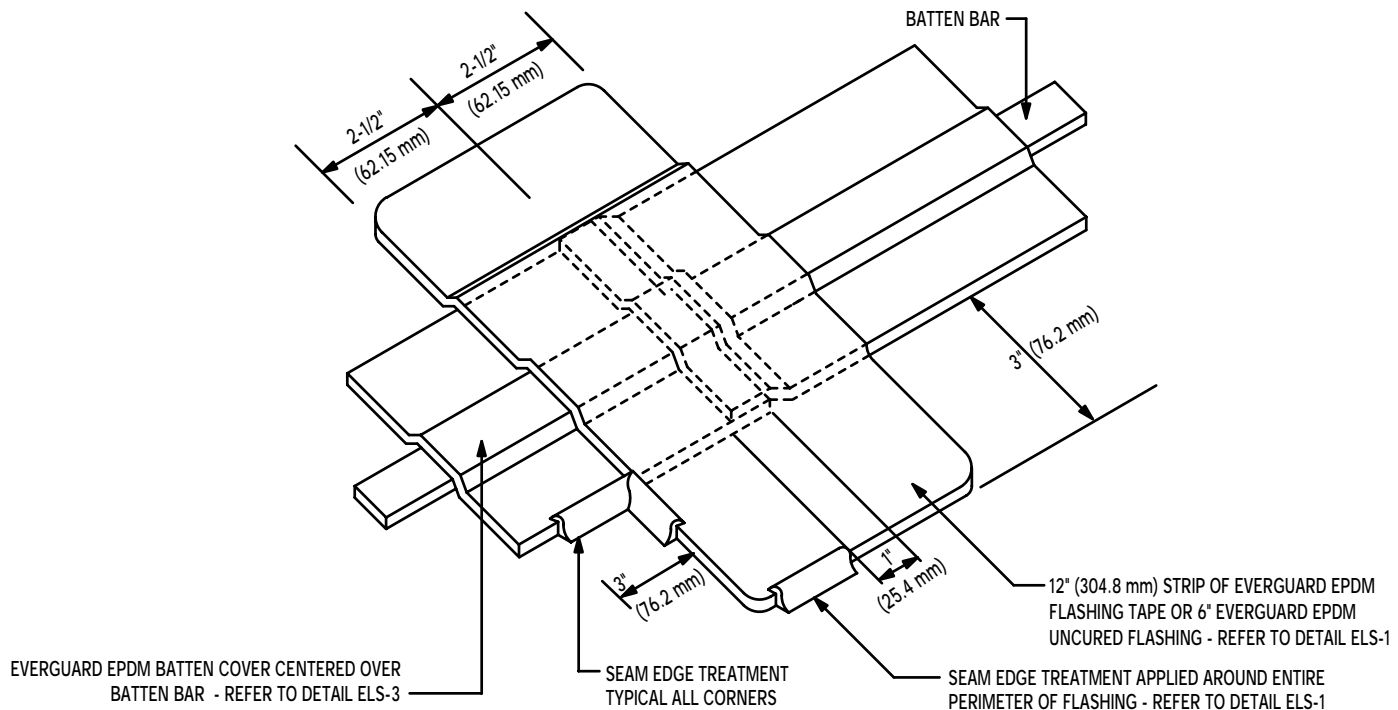
September 2002
Interim Updates at www.gaf.com

EMA-1



SYSTEMS: Mechanically Attached
FOR USE IN GUARANTEED SYSTEMS: Up to 15 Years

EMA-2

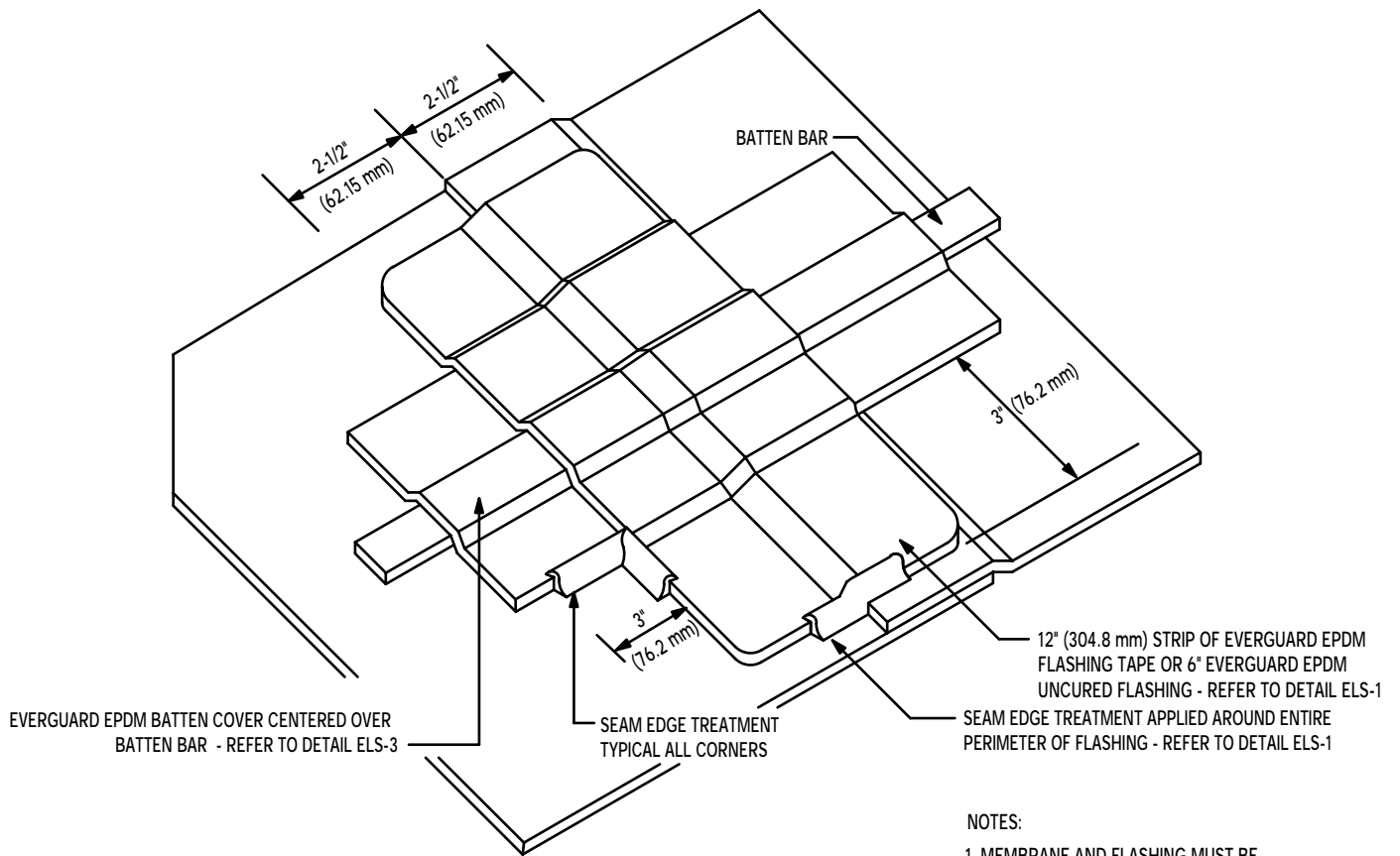


SYSTEMS: Mechanically Attached
 FOR USE IN GUARANTEED SYSTEMS: Up to 15 Years

EVERGUARD® EPDM
 EverGuard EPDM Batten Cover Strip End Lap

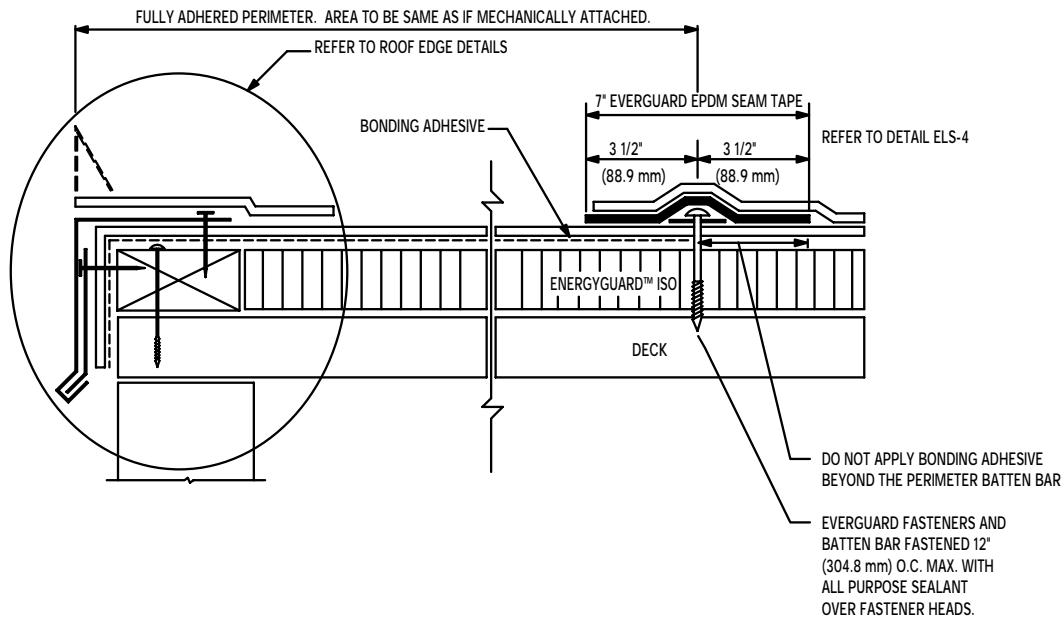
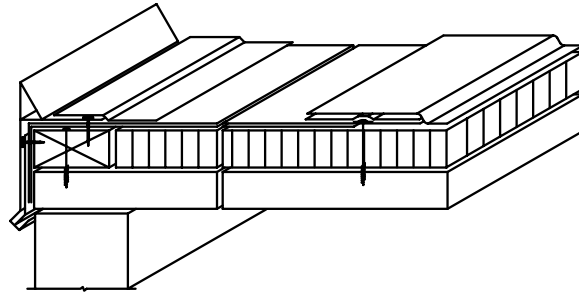
September 2002
 Interim Updates at www.gaf.com

EMA-3



SYSTEMS: Mechanically Attached
 FOR USE IN GUARANTEED SYSTEMS: Up to 15 Years

EMA-4

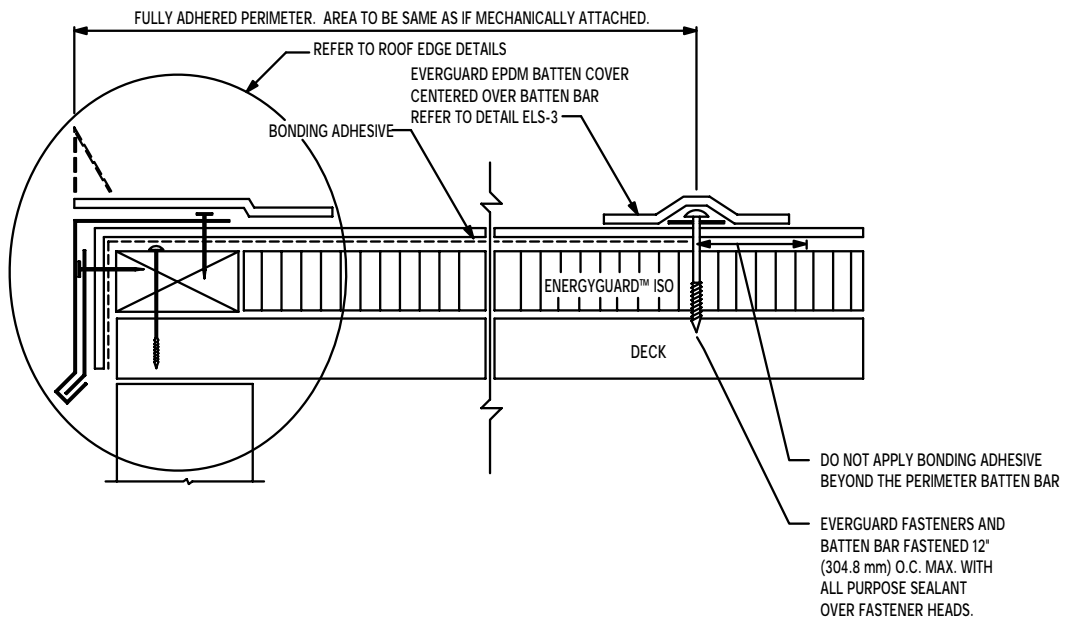
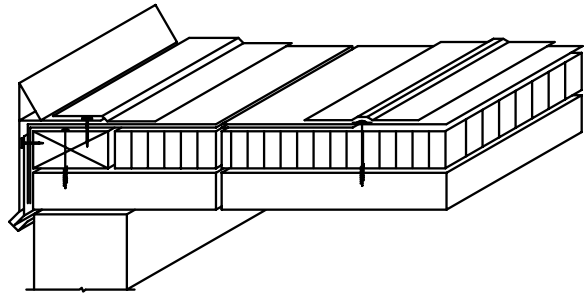


SYSTEMS: Mechanically Attached
 FOR USE IN GUARANTEED SYSTEMS: Up to 15 Years

EVERGUARD® EPDM
 Fully Adhered Perimeter

September 2002
 Interim Updates at www.gaf.com

EMA-5



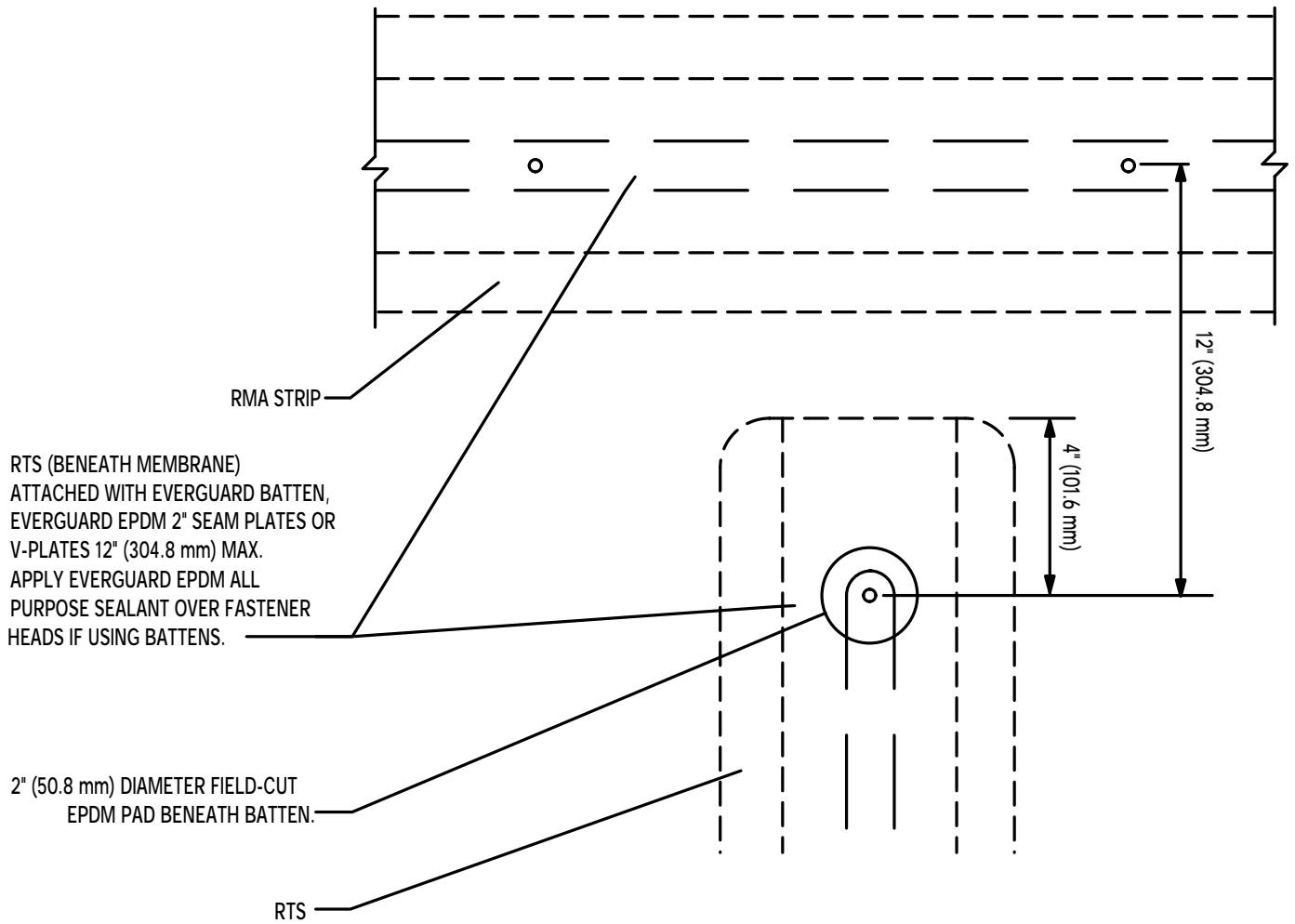
SYSTEMS: Mechanically Attached
FOR USE IN GUARANTEED SYSTEMS: Up to 15 Years

EMA-6

102

EVERGUARD® EPDM
Fully Adhered Perimeter with Continuous Membrane

September 2002
Interim Updates at www.gaf.com

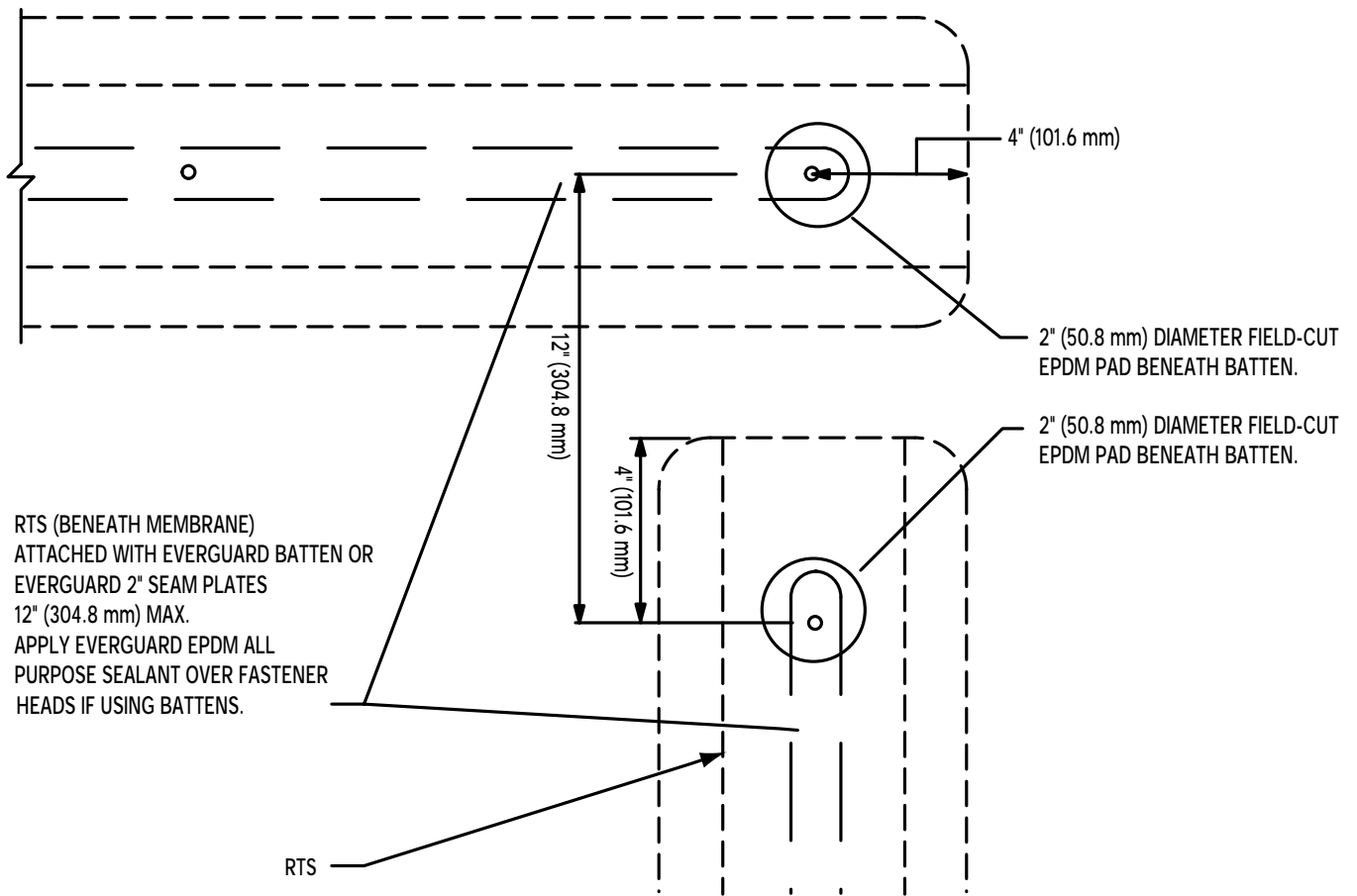


SYSTEMS: Mechanically Attached
 FOR USE IN GUARANTEED SYSTEMS: Up to 15 Years

EMA-7

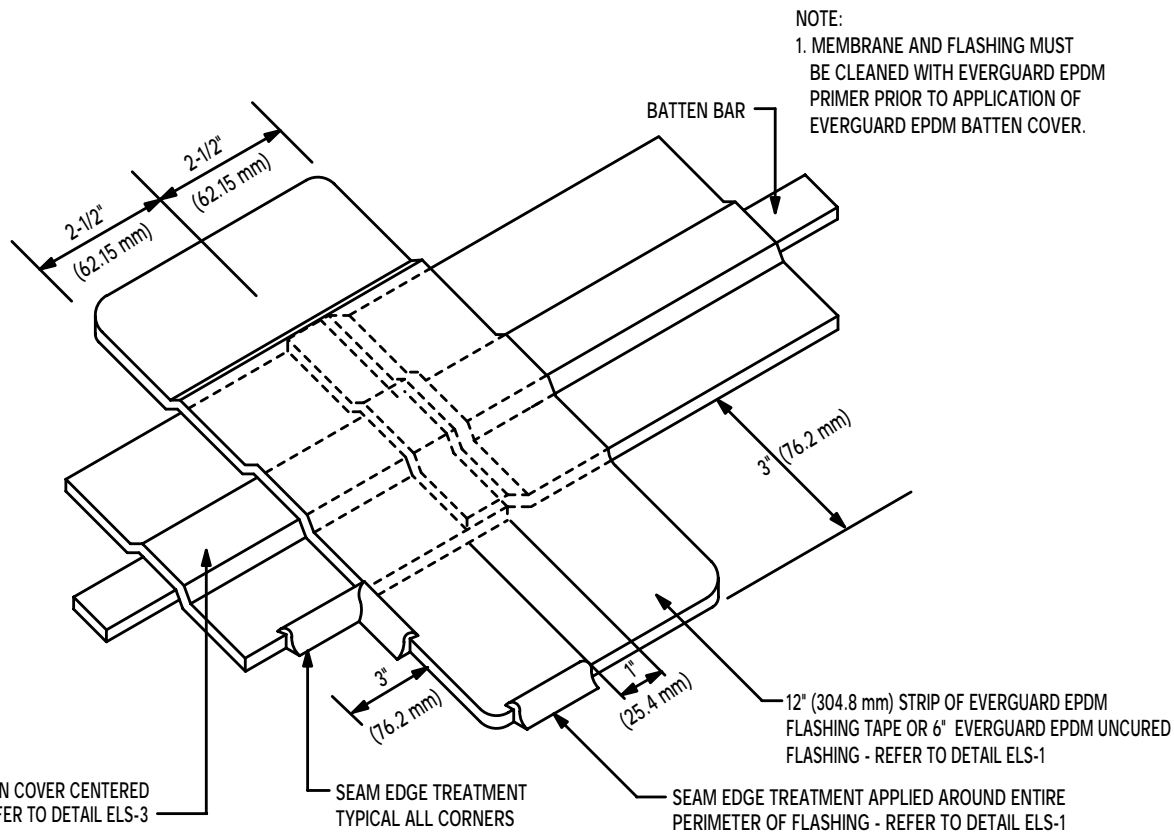
EVERGUARD® EPDM
 Batten Cover With RTS

September 2002
 Interim Updates at www.gaf.com



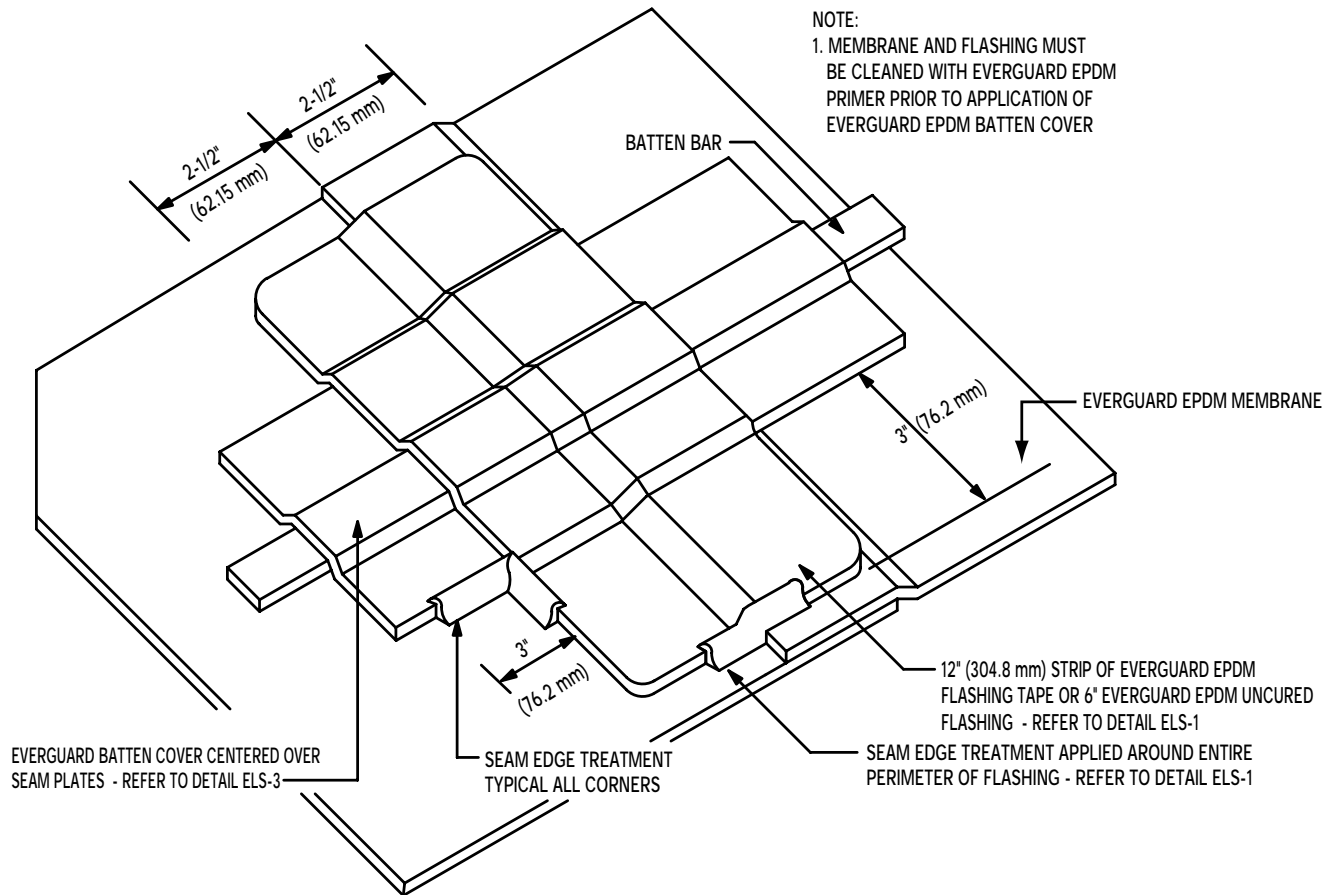
SYSTEMS: Mechanically Attached
 FOR USE IN GUARANTEED SYSTEMS: Up to 15 Years

EMA-8



SYSTEMS: Reinforced, Mechanically Attached
FOR USE IN GUARANTEED SYSTEMS: Up to 15 Years

ER-2



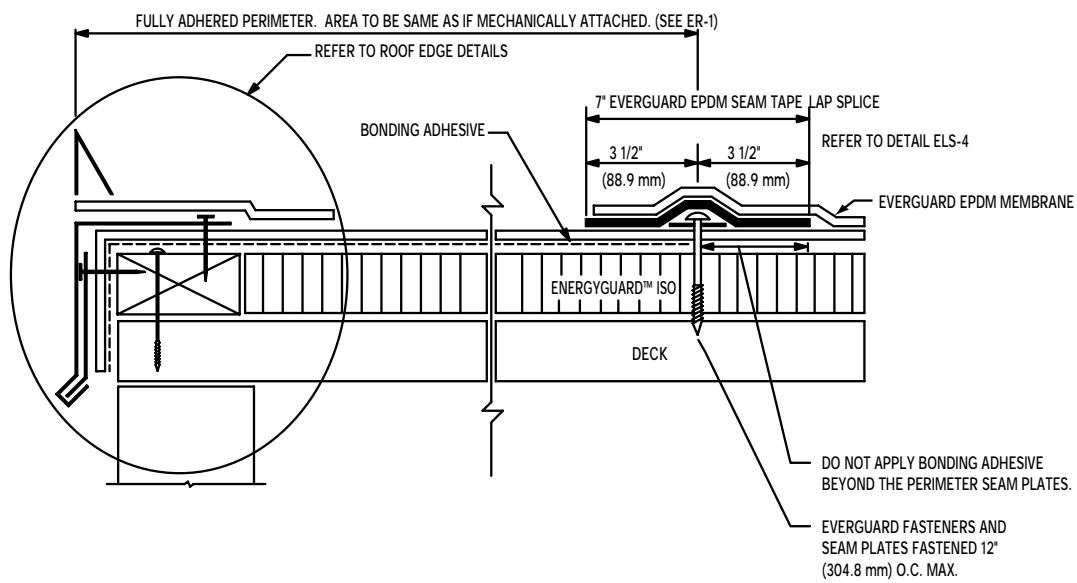
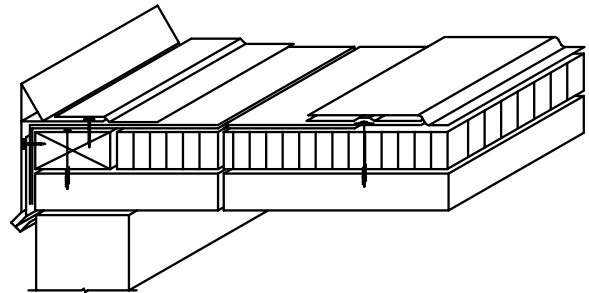
SYSTEMS: Reinforced, Mechanically Attached
FOR USE IN GUARANTEED SYSTEMS: Up to 15 Years

EVERGUARD® EPDM
EverGuard EPDM Batten Cover Strip Over Field Seams

September 2002
Interim Updates at www.gaf.com

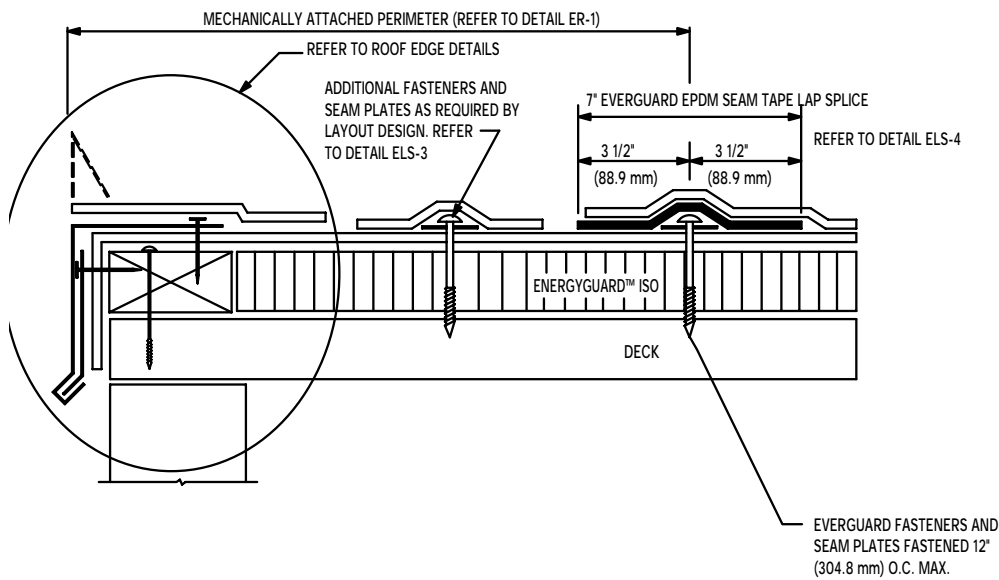
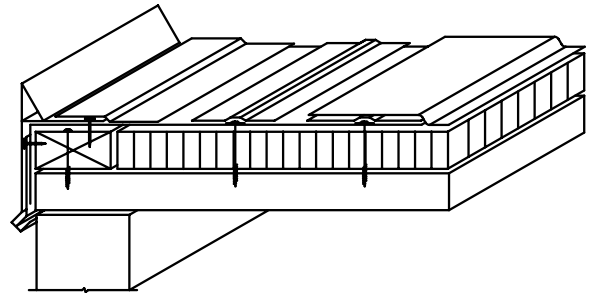
ER-3

107



SYSTEMS: Reinforced, Mechanically Attached
 FOR USE IN GUARANTEED SYSTEMS: Up to 15 Years

ER-4

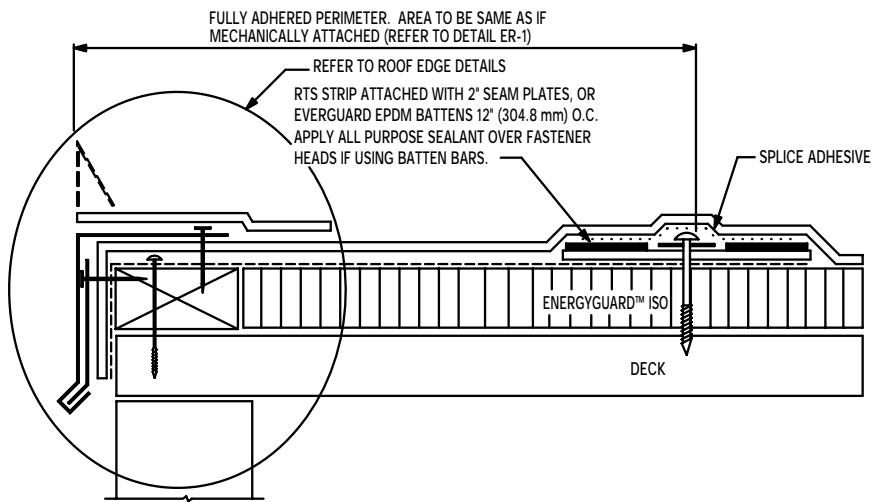
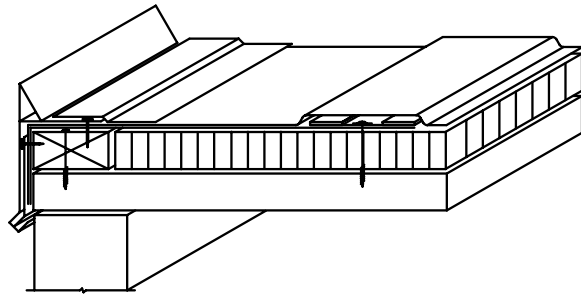


SYSTEMS: Reinforced, Mechanically Attached
 FOR USE IN GUARANTEED SYSTEMS: Up to 15 Years

EVERGUARD® EPDM
 Mechanically Attached Perimeter

September 2002
 Interim Updates at www.gaf.com

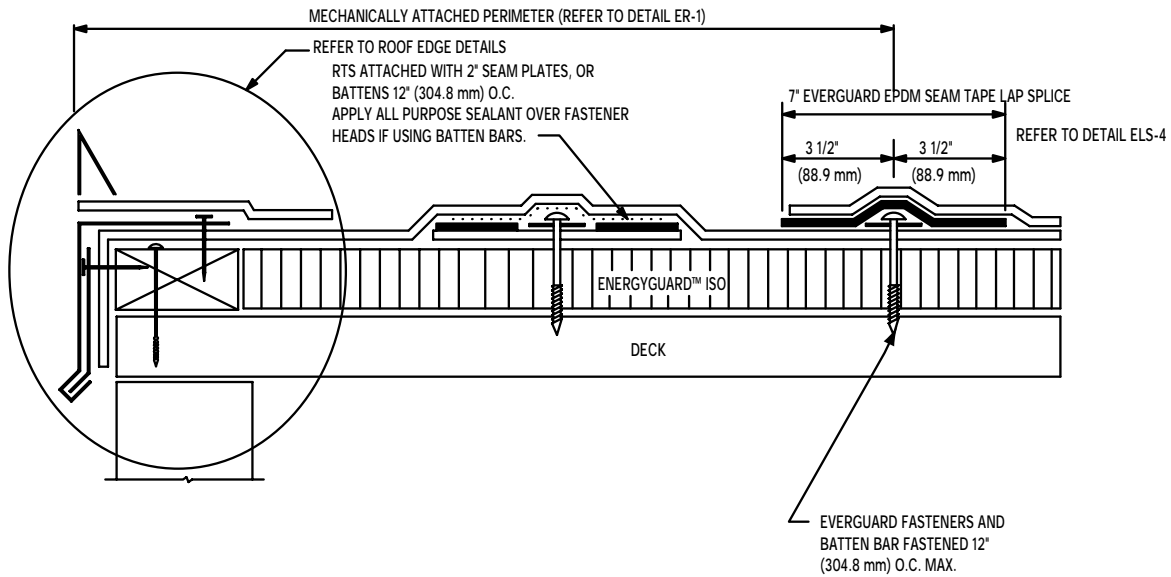
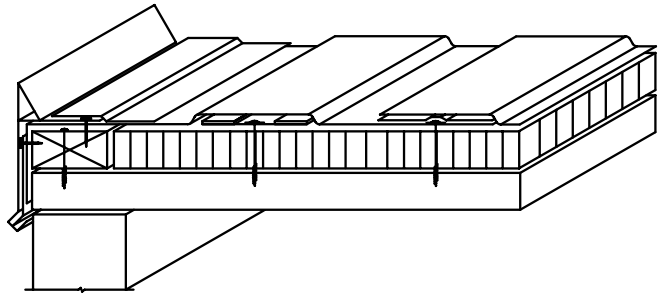
ER-5



SYSTEMS: Reinforced, Mechanically Attached
 FOR USE IN GUARANTEED SYSTEMS: Up to 15 Years

ER-6

"T" TYPE PERIMETER ATTACHMENT (DETAIL ER-1) CAN ALSO BE COMPLETED BY INSTALLING THE RTS BENEATH THE MEMBRANE. IN ADDITION, RTS CAN BE INSTALLED IN A LINEAR ARRANGEMENT PER EVERGUARD EPDM'S WIND DESIGN GUIDE.



SYSTEMS: Reinforced, Mechanically Attached
 FOR USE IN GUARANTEED SYSTEMS: Up to 15 Years

EVERGUARD® EPDM
 Mechanically Attached Perimeter Using RTS Strip

September 2002
 Interim Updates at www.gaf.com

ER-7