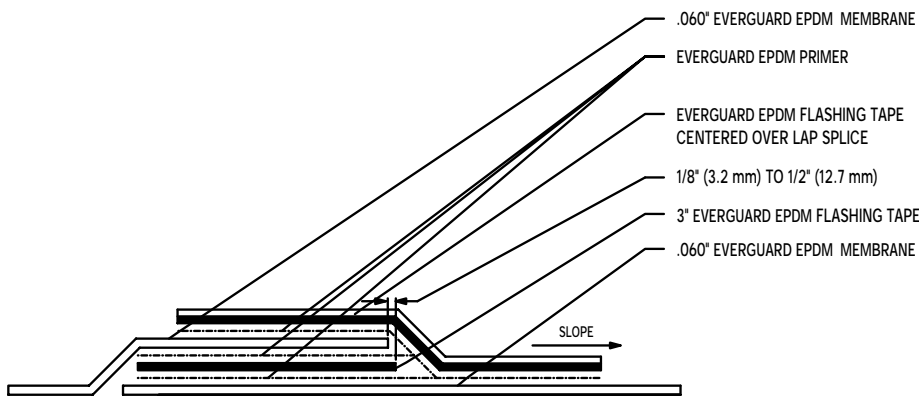
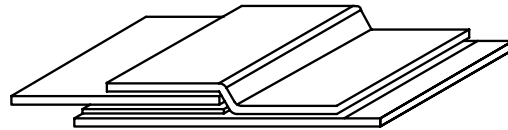
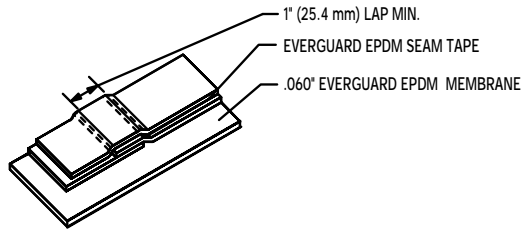


EVERGUARD® EPDM TABLE OF CONTENTS SYSTEM DETAILS

Details No.	EverGuard EPDM	Systems
	Twenty-Year System Details	
EPLS-1	Lap Splice	20 Year EPDM
EPLS-2	Lap Splice	20 Year EPDM
EPRE-1	EverGuard EPDM Roof Edge	20 Year EPDM
EPRE-2	EverGuard EPDM Drain Bar	20 Year EPDM
EPRE-3	Edge Metal	20 Year EPDM
EPT-1	Termination Bar With Counterflashing	20 Year EPDM
EPT-2	Termination Bar Over A Control Joint	20 Year EPDM
EPC-1	Outside Corner	20 Year EPDM
EPC-2	Inside Corner With EPDM Wall Flashing	20 Year EPDM
EPP-1	EverGuard EPDM Universal Pipe Boot	20 Year EPDM
EPP-2	Field Fabricated Pipe Flashing Or Hot Stack Flashing	20 Year EPDM
EPP-3	Metal Penetration Pocket	20 Year EPDM
EPP-4	Round PVC Penetration Pocket	20 Year EPDM
EPD-1	Roof Drain	20 Year EPDM
EPS-1	Scupper	20 Year EPDM
EPE-1	Raised Curb Expansion Joint With Manufactured Cover	20 Year EPDM
EPE-2	Raised Curb Expansion Joint With Membrane Cover	20 Year EPDM
EPB-1	EverGuard EPDM Batten Cover Layout AT "T" Perimeter	20 Year EPDM

TYPICAL OVERLAP OF EVERGUARD EPDM SEAM TAPE



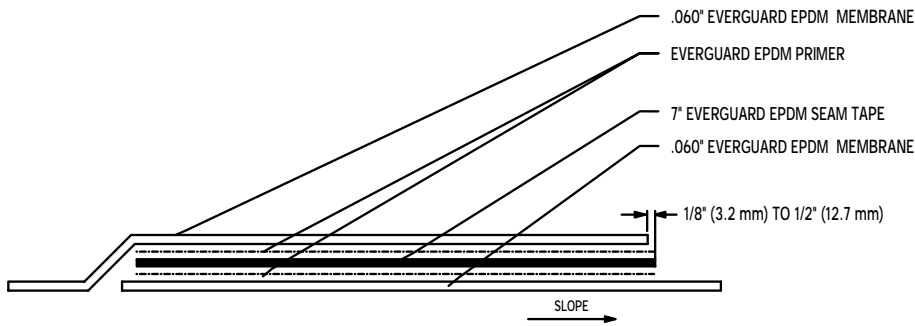
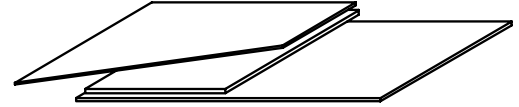
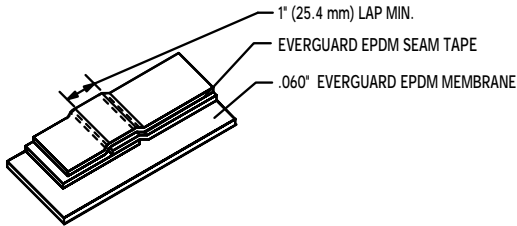
TYPICAL SEAM CROSS-SECTION

FOR SEAM "T" JOINTS AND TAPE LAP SPLICES REFER TO ELS-2

NOTES:

1. MEMBRANE MUST BE CLEANED WITH EVERGUARD EPDM PRIMER
2. END LAPS OF EVERGUARD EPDM SEAM TAPE MUST OVERLAP A MINIMUM OF 1" (25.4 mm). EXTRA CLEANING IS REQUIRED AT FACTORY SPLICE AREAS AND OTHER AREAS WHERE EXCESS DUSTING AGENT MAY HAVE ACCUMULATED.

TYPICAL OVERLAP OF EVERGUARD EPDM SEAM TAPE

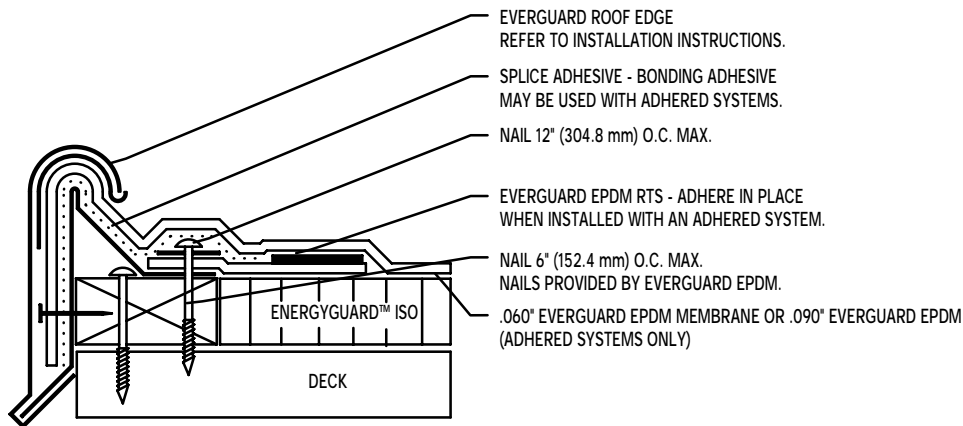
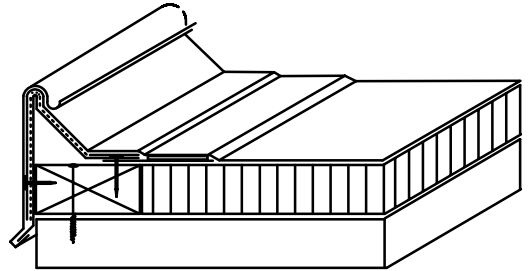


TYPICAL SEAM CROSS-SECTION

FOR SEAM "T" JOINTS AND TAPE LAP SPLICES REFER TO ELS-2

NOTES:

1. MEMBRANE MUST BE CLEANED WITH EVERGUARD EPDM PRIMER.
2. END LAPS OF EVERGUARD EPDM SEAM TAPE MUST OVERLAP A MINIMUM OF 1" (25.4 mm). EXTRA CLEANING IS REQUIRED AT FACTORY SPLICE AREAS AND OTHER AREAS WHERE EXCESS DUSTING AGENT MAY HAVE ACCUMULATED.



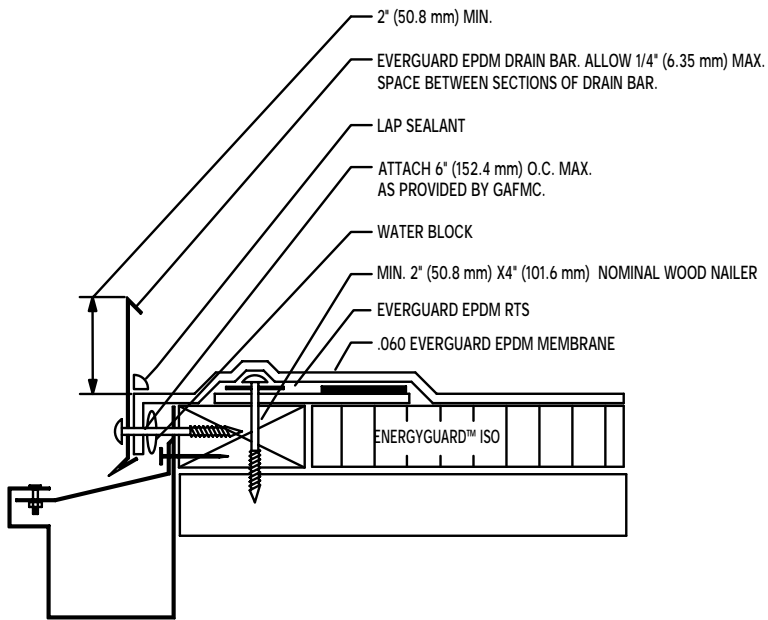
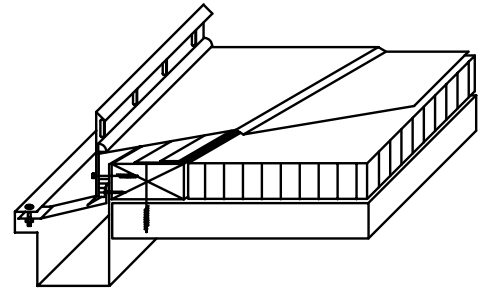
SYSTEMS: Ballasted, Adhered, Reinforced, Mechanically Attached
FOR USE IN GUARANTEED SYSTEMS: Up to 20 Years

EVERGUARD® EPDM
Roof Edge

September 2002
Interim Updates at www.gaf.com

EPRE-1

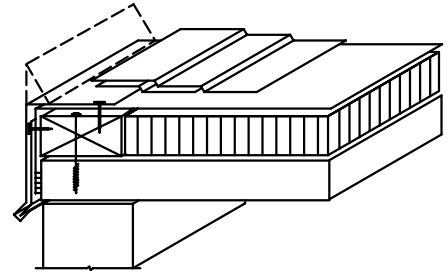
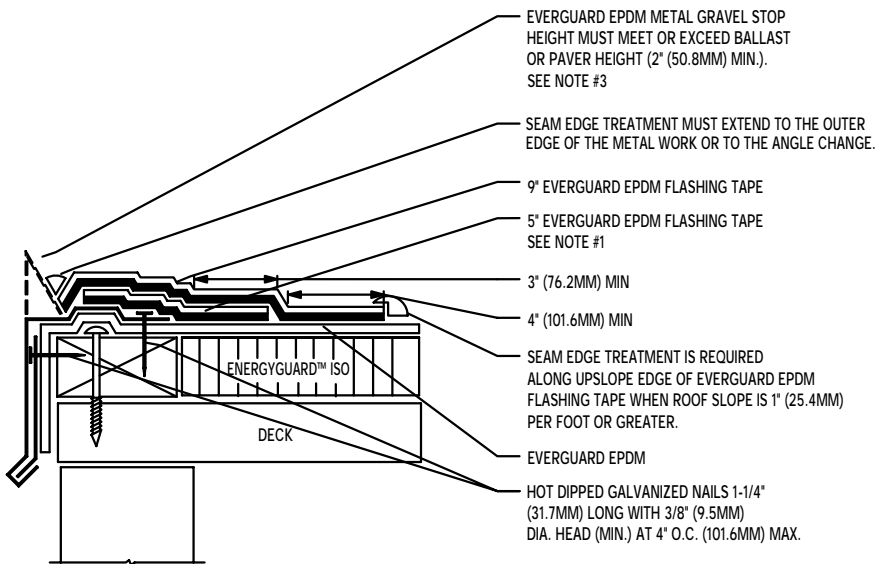
115



GUTTER (BY OTHERS). ROUND ALL METAL CORNERS.
 PLACE BACK OF GUTTER STRAP 1/4" (6.35 mm)
 BELOW TOP OF WOOD NAILER.

NOTES:

1. DO NOT PRE-NAIL MEMBRANE TO THE FACE OF THE WOOD NAILER.
2. ANCHOR GUTTER IN ACCORDANCE WITH SMACNA RECOMMENDATIONS.



NOTES:

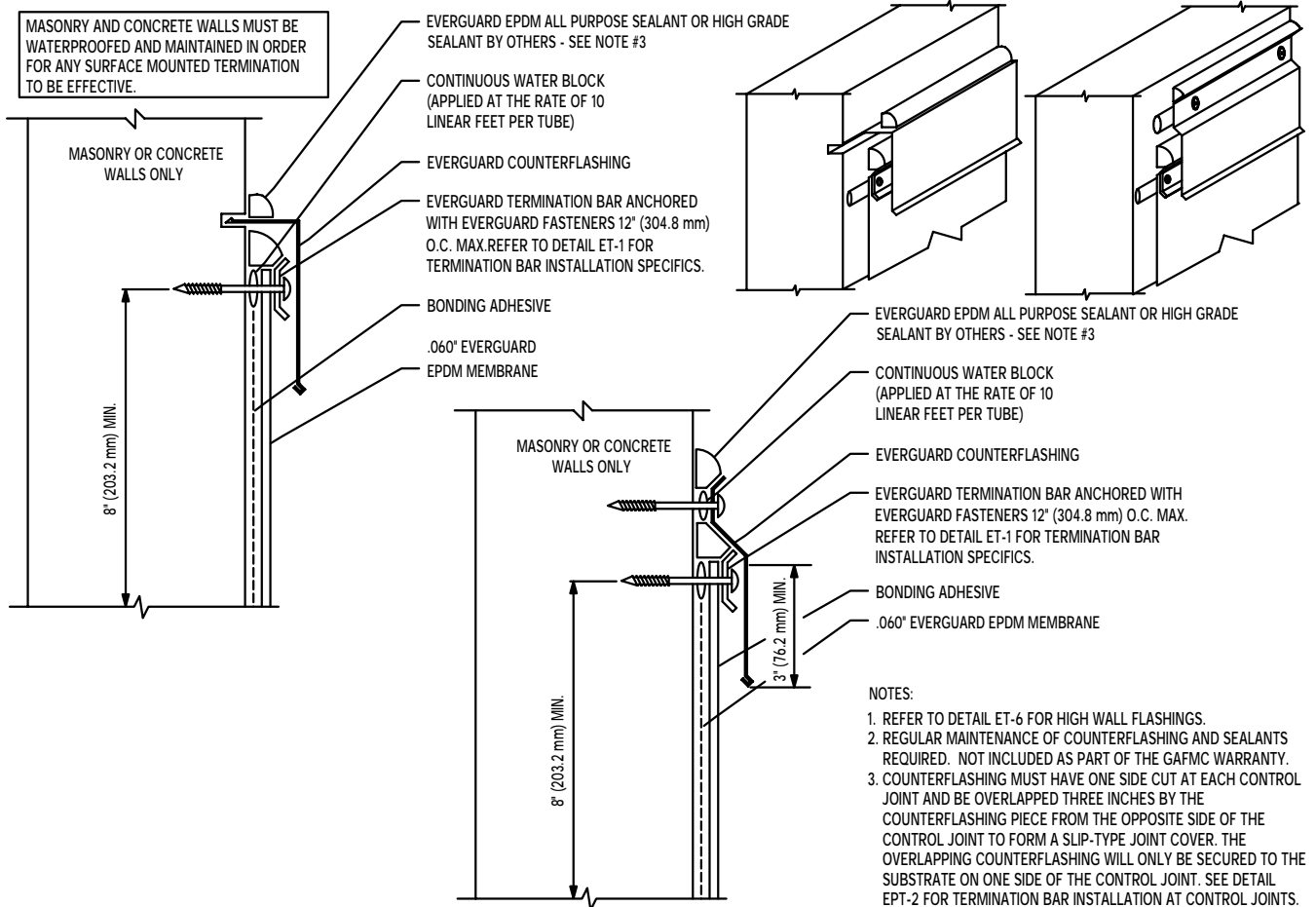
1. BOTH LAYERS OF EVERGUARD EPDM FLASHING TAPE MUST TERMINATE WITHIN 1/4" (6.35 mm) OF THE GRAVEL STOP EDGE OR ANGLE CHANGE.
2. INSTALL METAL WORK TO MANUFACTURER'S REQUIREMENTS OR SMACNA RECOMMENDATIONS.
3. GRAVEL STOP METAL MUST BE FACTORY PRE-FINISHED G-90 GALVANIZED STEEL, STAINLESS STEEL, ANODIZED OR EXTRUDED ALUMINUM AS SUPPLIED BY GAFMC.
4. REFER TO DETAIL ERE-12 FOR METAL EDGE JOINT DETAIL.

SYSTEMS: Ballasted, Adhered, Reinforced, Mechanically Attached
 FOR USE IN GUARANTEED SYSTEMS: Up to 20 Years

EVERGUARD® EPDM
 Edge Metal

September 2002
 Interim Updates at www.gaf.com

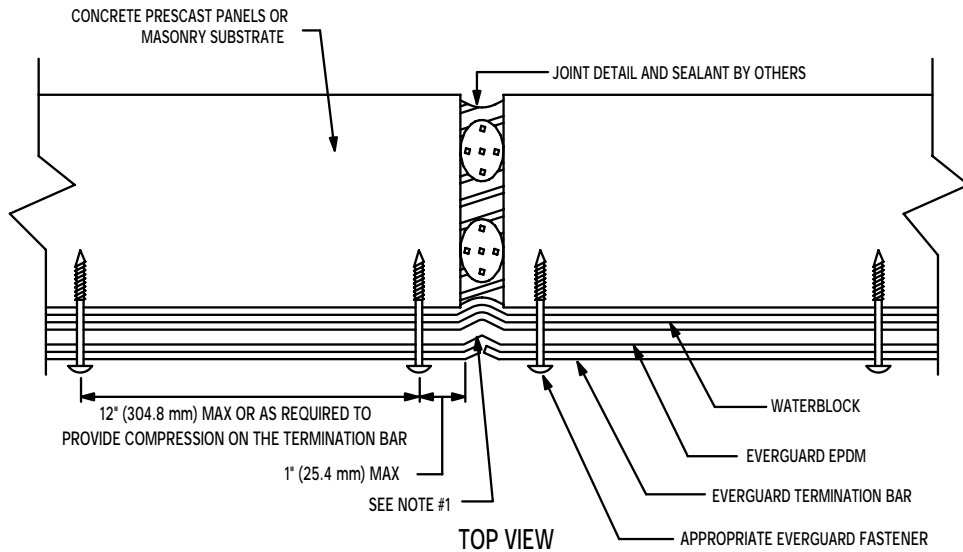
EPRE-3



SYSTEMS: Ballasted, Adhered, Reinforced, Mechanically Attached
 FOR USE IN GUARANTEED SYSTEMS: Up to 20 Years

EPT-1

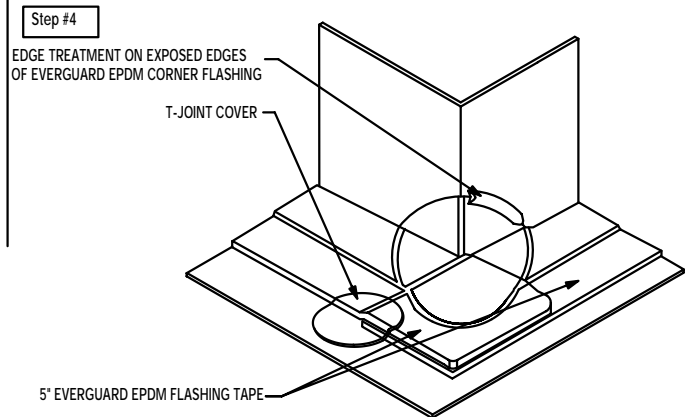
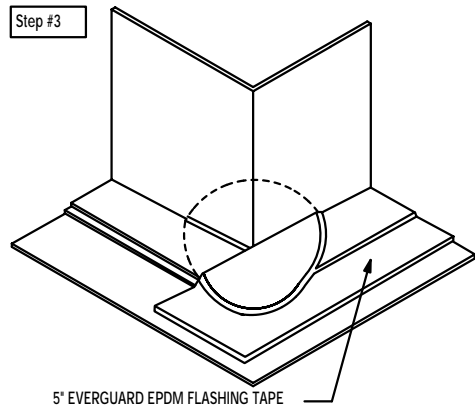
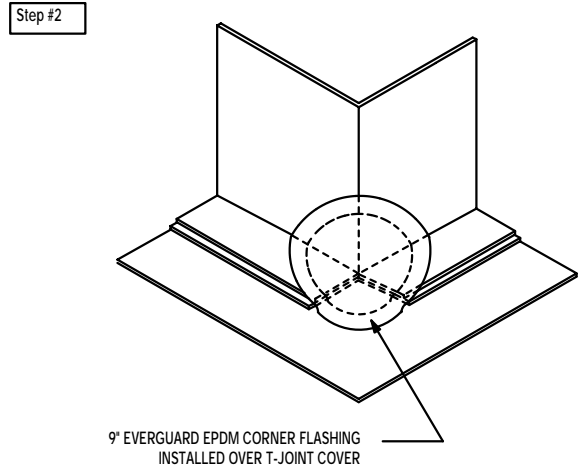
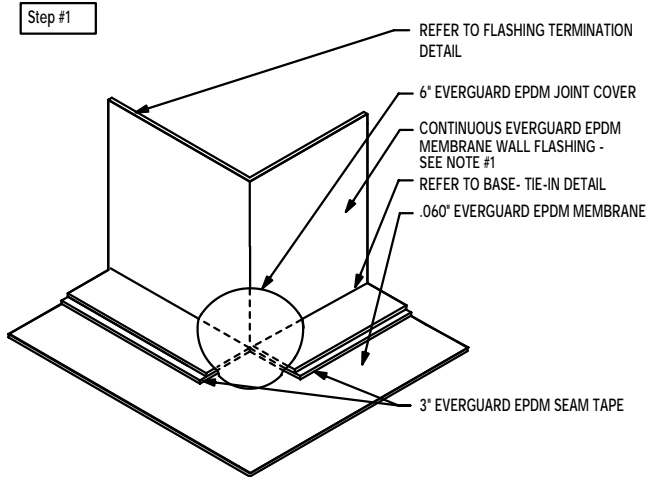
MASONRY AND CONCRETE WALLS MUST BE WATERPROOFED AND MAINTAINED IN ORDER FOR ANY SURFACE MOUNTED TERMINATION TO BE EFFECTIVE.



*COUNTERFLASHING AND LAP SEALANT NOT SHOWN FOR CLARITY.

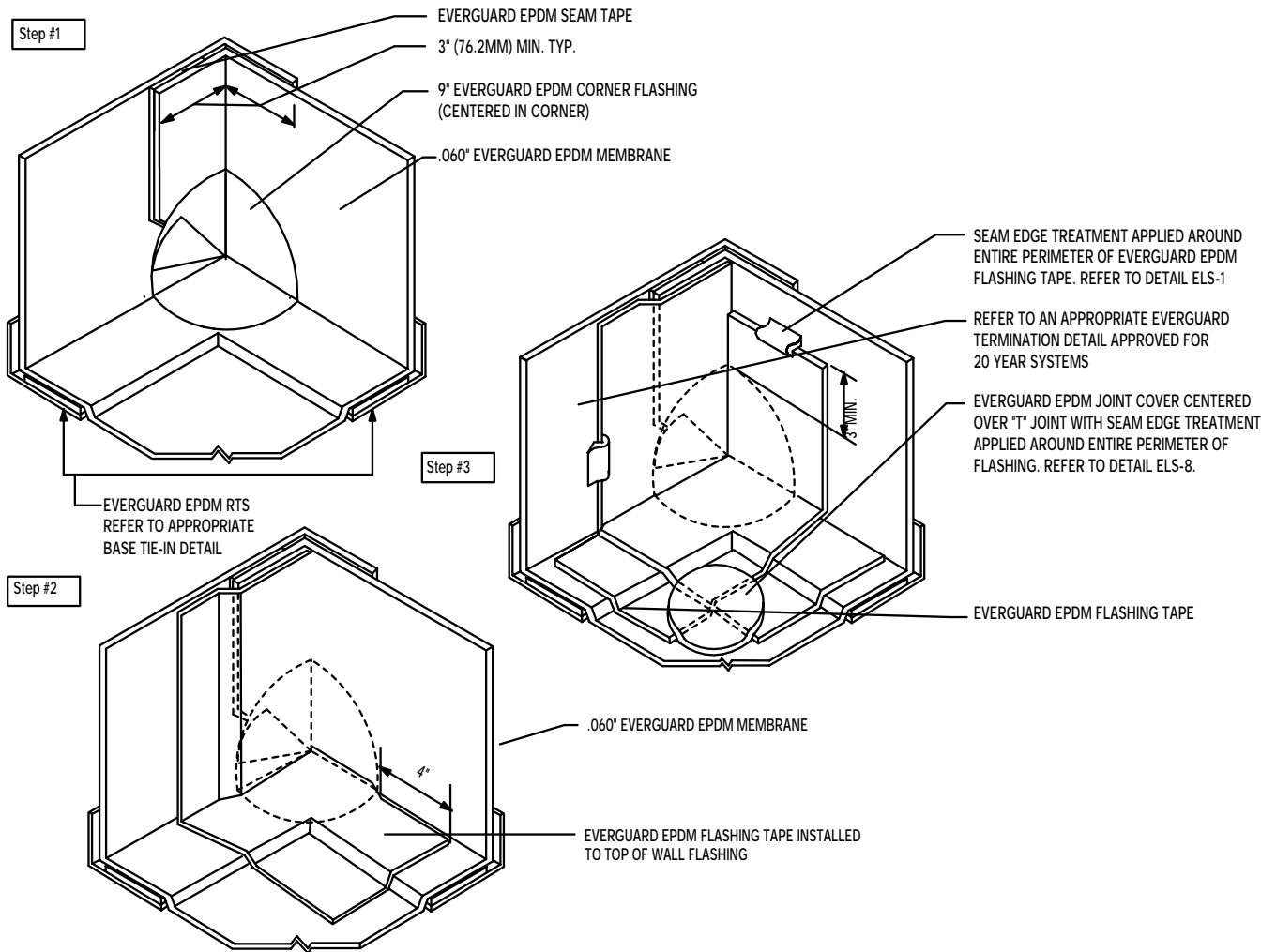
NOTES:

1. THE TERMINATION BAR MUST BE CUT AT EACH CONTROL JOINT AND SECURED TO THE SUBSTRATE WITHIN 1" (50.4 mm) OF THE TERMINATION BAR END WITH THE TERMINATION BAR ENDS BENT INWARD TO COMPRESS THE WATERBLOCK SEAL IN THE VOID AREA DIRECTLY OVER THE CONTROL JOINTS. SEE DETAIL PT-1 FOR COUNTERFLASHING INSTRUCTIONS (REQUIRED).



NOTES:

1. VERTICAL LAP SPLICES SHALL BE STRIPPED IN WITH EVERGUARD EPDM FLASHING TAPE. REFER TO DETAIL EPC-4, STEP #2.
2. ON CURBS LARGER THAN 4' (1.2M) X 4' (1.2M) USE AN EVERGUARD RTS STRIP BASE TIE IN DETAIL (EPBT-1 OR EPBT-2).

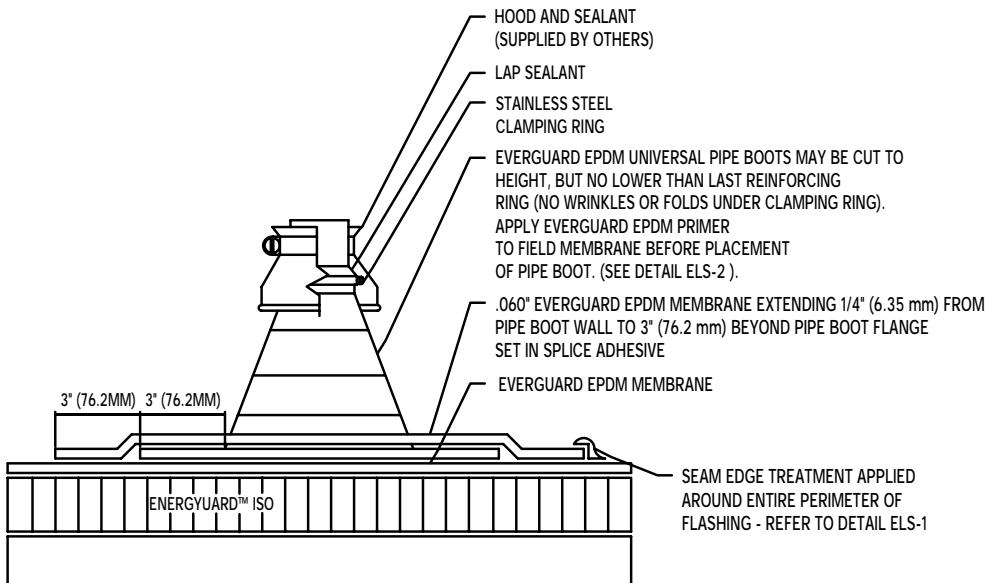
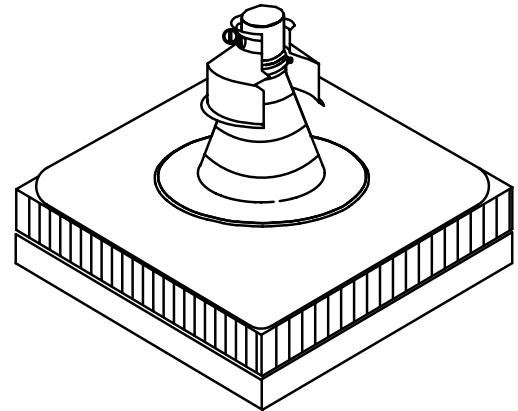


SYSTEMS: Ballasted, Adhered, Reinforced, Mechanically Attached
 FOR USE IN GUARANTEED SYSTEMS: Up to 20 Years

EVERGUARD® EPDM
 Inside Corner With EPDM Wall Flashing

September 2002
 Interim Updates at www.gaf.com

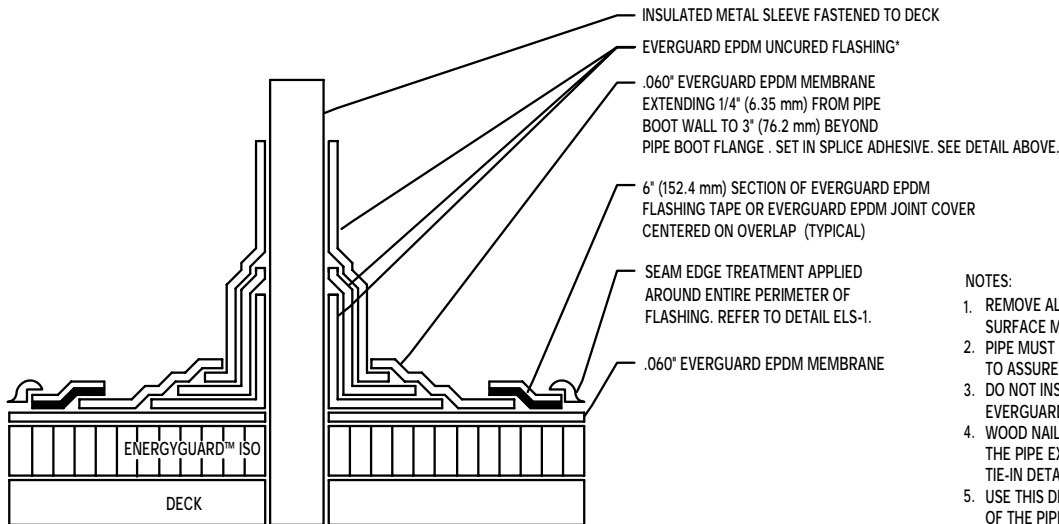
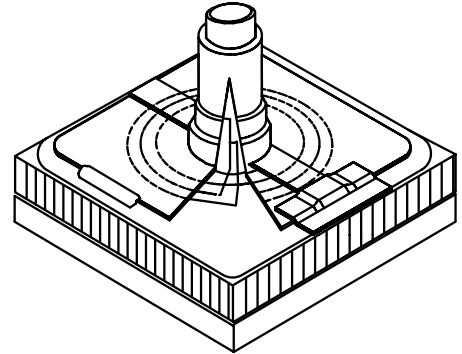
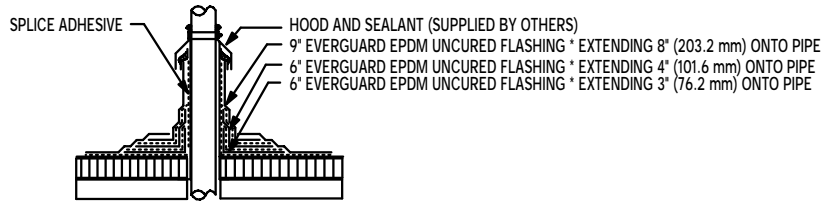
EPC-2



NOTES:

1. REMOVE ALL EXISTING FLASHINGS, LEAD, ETC. PIPE SURFACE MUST BE FREE OF ALL RUST, GREASE, ETC.
2. PIPE MUST BE ANCHORED TO BOTTOM SIDE OF DECK TO ASSURE STABILITY.
3. IF THE EVERGUARD EPDM MEMBRANE OVERLAPS A FIELD OR FACTORY SEAM, INSTALL AN EVERGUARD EPDM JOINT COVER OR 6" (152.4 mm) X 6" (152.4 mm) PIECE OF EVERGUARD EPDM UNCURED FLASHING OVER THE INTERSECTION. REFER TO DETAIL EPP-2.

SYSTEMS: Ballasted, Adhered, Reinforced, Mechanically Attached
 FOR USE IN GUARANTEED SYSTEMS: Up to 20 Years



NOTES:

1. REMOVE ALL EXISTING FLASHINGS, LEAD, ETC. PIPE SURFACE MUST BE FREE OF ALL RUST, GREASE, ETC.
2. PIPE MUST BE ANCHORED TO BOTTOM SIDE OF DECK TO ASSURE STABILITY.
3. DO NOT INSTALL CLAMPING RING AROUND TOP OF EVERGUARD EPDM UNCURED FLASHING.
4. WOOD NAILER REQUIRED WHEN OUTSIDE DIAMETER OF THE PIPE EXCEEDS 18" (457.2 mm) - REFER TO BASE TIE-IN DETAILS.
5. USE THIS DETAIL WHEN THE IN-SERVICE TEMPERATURE OF THE PIPE EXCEEDS 180° F (82° C).
6. SEAM EDGE TREATMENT APPLIED AROUND ENTIRE PERIMETER OF FLASHING - REFER TO DETAIL ELS-1

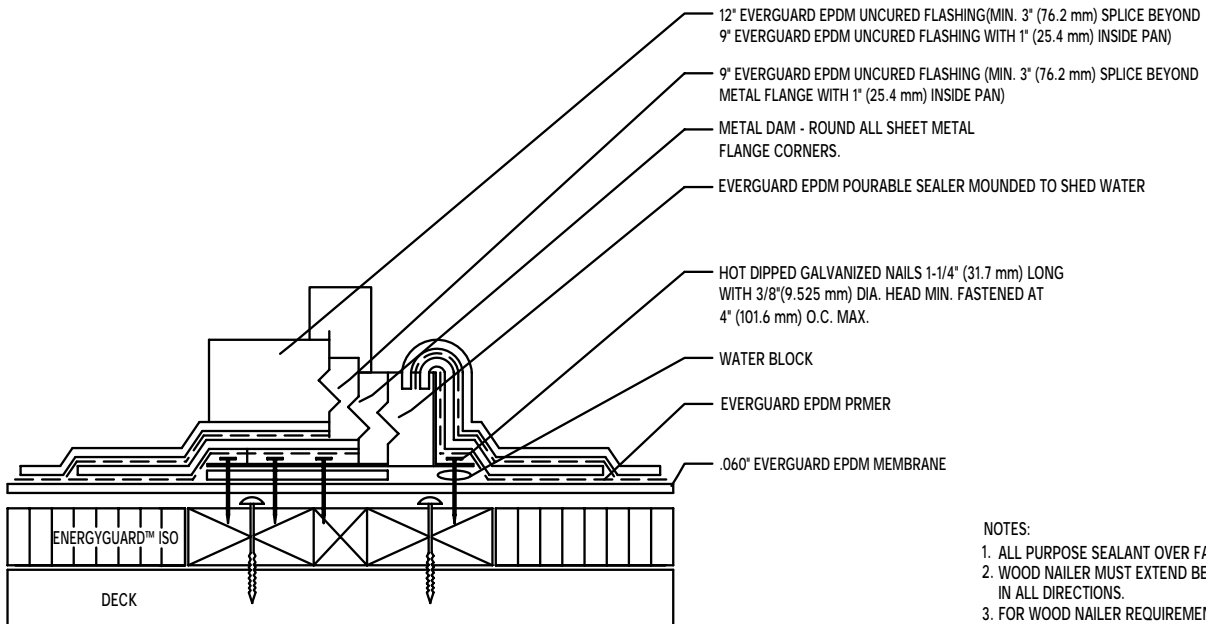
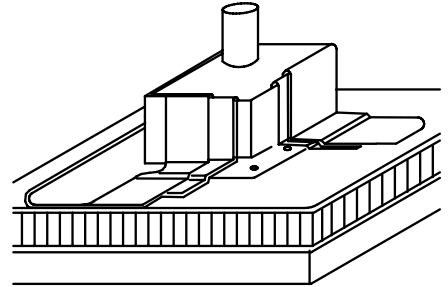
* EVERGUARD EPDM FLASHING TAPE MAY BE SUBSTITUTED FOR EVERGUARD EPDM UNCURED FLASHING.

SYSTEMS: Ballasted, Adhered, Reinforced, Mechanically Attached
 FOR USE IN GUARANTEED SYSTEMS: Up to 20 Years

EVERGUARD® EPDM
 Field Fabricated Pipe Flashing Or Hot Stack Flashing

September 2002
 Interim Updates at www.gaf.com

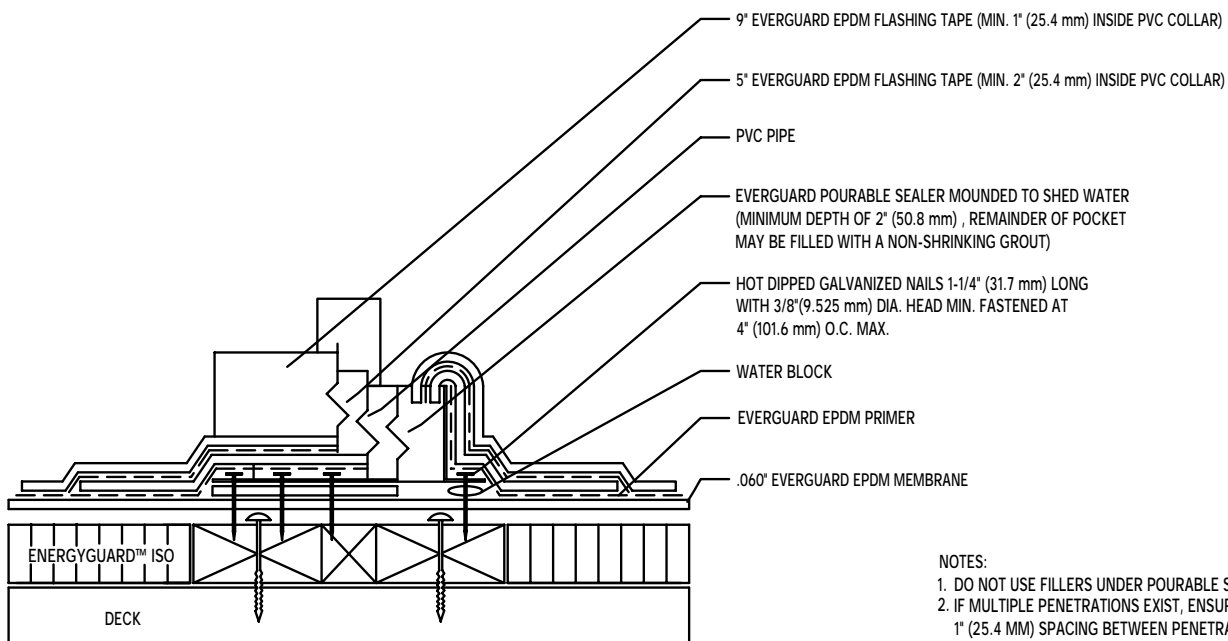
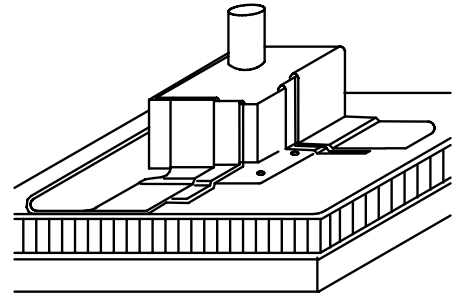
EPP-2



NOTES:

1. ALL PURPOSE SEALANT OVER FASTENER HEADS.
2. WOOD NAILER MUST EXTEND BEYOND METAL FLANGE
IN ALL DIRECTIONS.
3. FOR WOOD NAILER REQUIREMENTS, SEE
THE EVERGUARD EPDM SPECIFICATION MANUAL.

SYSTEMS: Ballasted, Adhered, Reinforced, Mechanically Attached
FOR USE IN GUARANTEED SYSTEMS: Up to 20 Years



NOTES:

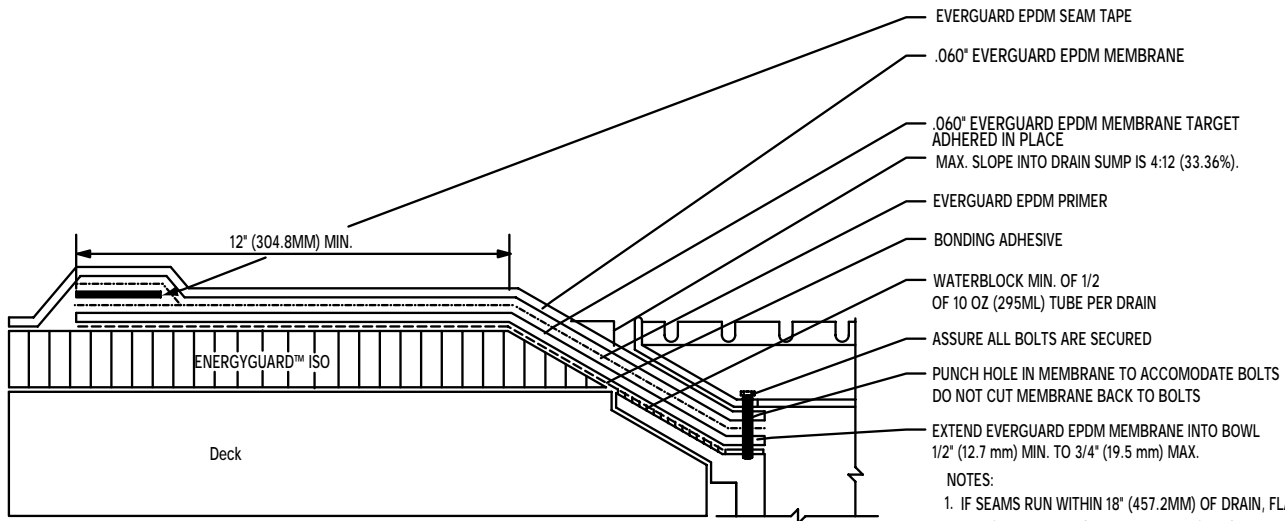
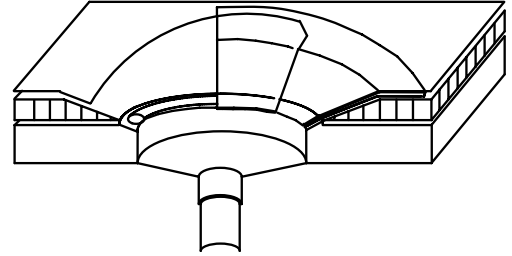
1. DO NOT USE FILLERS UNDER POURABLE SEALER.
2. IF MULTIPLE PENETRATIONS EXIST, ENSURE MINIMUM 1" (25.4 MM) SPACING BETWEEN PENETRATIONS AND ALSO FROM SIDES OF PENETRATION POCKET.
3. IF FIELD MEMBRANE IS CUT FOR INSTALLATION, THE MEMBRANE MUST BE REPAIRED WITH CURED EPDM PRIOR TO INSTALLATION OF POURABLE SEALER POCKET.
4. CLEAN ALL SURFACES (PVC, MEMBRANE, PENETRATION ETC.) WITH PRIMER BEFORE APPLYING SPLICE ADHESIVE.
5. SPLICE ADHESIVE WILL BE APPLIED TO INTERIOR AND EXTERIOR OF PVC COLLAR AND TO THE PENETRATIONS AND SERVE AS PRIMER FOR EVERGUARD EPDM FLASHING TAPE.
6. MEMBRANE MUST EXTEND TO WITHIN 1/2" (12.7 MM) OF PENETRATION.
7. PVC COLLAR MAY BE CUT TO MATCH ROOF SLOPE BUT MUST EXTEND A MINIMUM OF 2" (50.8 MM) ABOVE ROOF SURFACE WHILE MAINTAINING SPLICE WIDTHS.

SYSTEMS: Ballasted, Adhered, Reinforced, Mechanically Attached
 FOR USE IN GUARANTEED SYSTEMS: Up to 20 Years

EVERGUARD® EPDM
 EverGuard EPDM Round PVC Penetration Pocket

September 2002
 Interim Updates at www.gaf.com

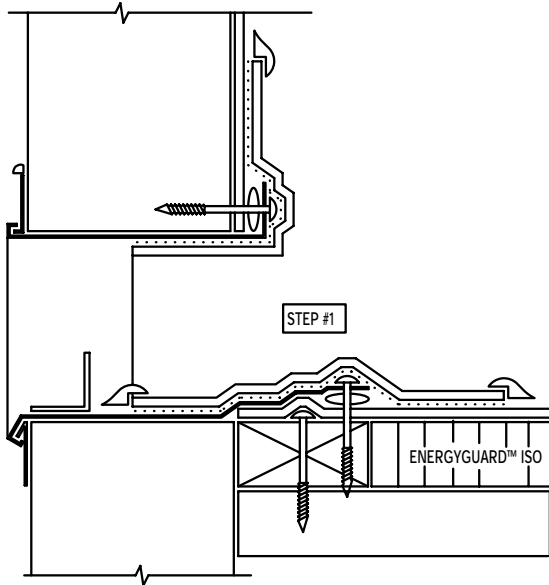
EPP-4



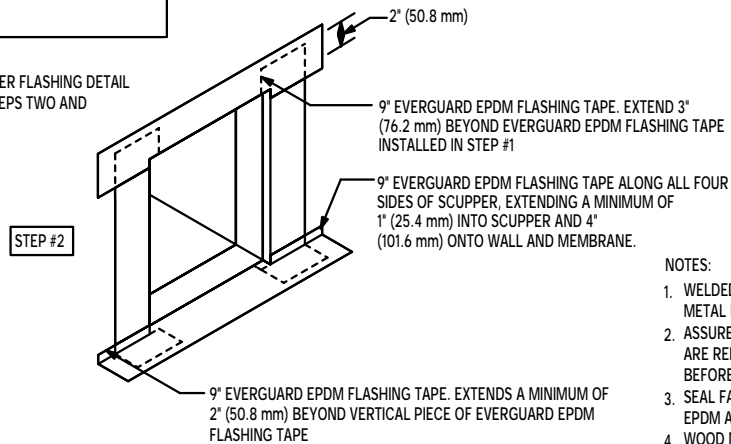
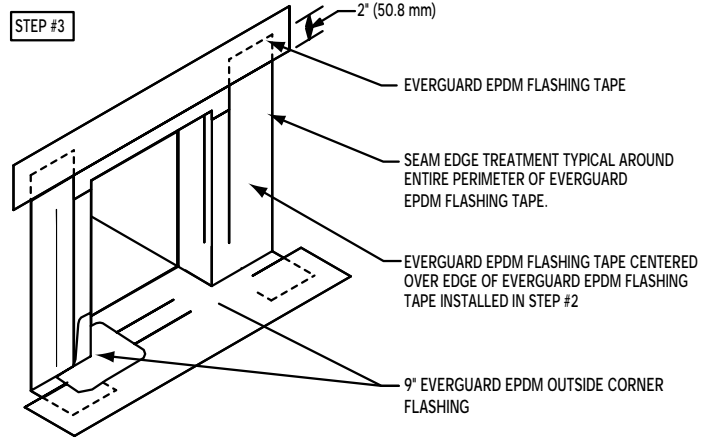
- NOTES:
1. IF SEAMS RUN WITHIN 18" (457.2MM) OF DRAIN, FLASH THE SEAM 5" EVERGUARD EPDM FLASHING TAPE EXTENDING 3" (76.2MM) OUT OF SUMP.
 2. TAPERED INSULATION WITH APPROPRIATE BONDING SURFACE SHALL BE USED WITH FULLY ADHERED SYSTEMS.
 3. IN REROOF APPLICATIONS:
 - A. REMOVE EXISTING FLASHINGS DOWN TO METAL SUMP.
 - B. REPAIR OR REPLACE BROKEN CLAMPING RING.
 - C. DRILL AND TAP BROKEN DRAIN BOLTS AND REPLACE.

SYSTEMS: : Ballasted, Adhered, Reinforced, Mechanically Attached
 FOR USE IN GUARANTEED SYSTEMS: Up to 20 Years

EPD-1



FLASH SCUPPER IN ACCORDANCE WITH STANDARD SCUPPER FLASHING DETAIL ES-1 AND THEN PROCEED TO STRIP IN THE SPLICES PER STEPS TWO AND THREE BELOW.



NOTES:

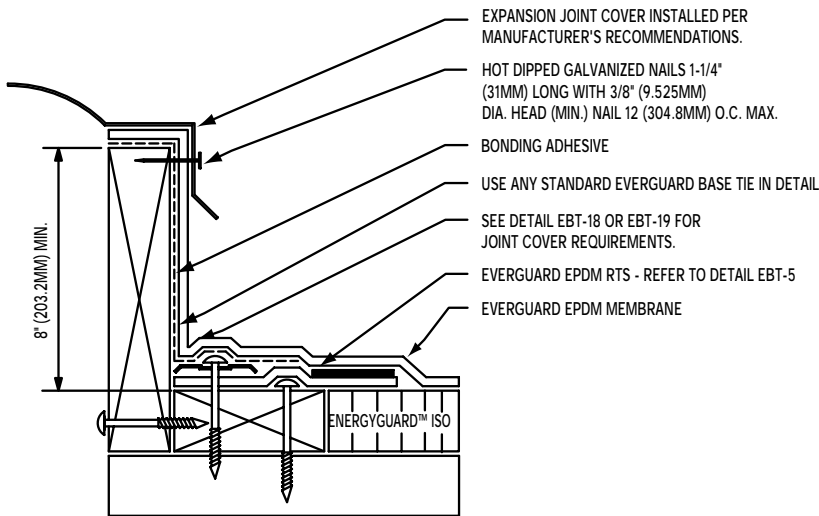
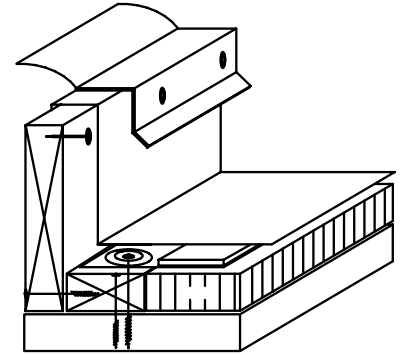
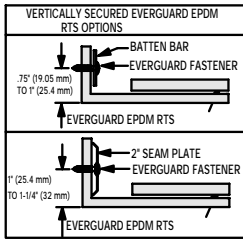
1. WELDED METAL SLEEVE. ROUND ALL SHEET METAL FLANGE CORNERS.
2. ASSURE THAT ALL OILS AND CONTAMINANTS ARE REMOVED FROM METAL SURFACES BEFORE SPLICING.
3. SEAL FASTENER HEADS WITH EVERGUARD EPDM ALL PURPOSE SEALANT.
4. WOOD NAILER MUST EXTEND BEYOND METAL FLANGE IN ALL DIRECTIONS.

SYSTEMS: Ballasted, Adhered, Reinforced, Mechanically Attached
FOR USE IN GUARANTEED SYSTEMS: Up to 20 Years

EVERGUARD® EPDM
Scupper

September 2002
Interim Updates at www.gaf.com

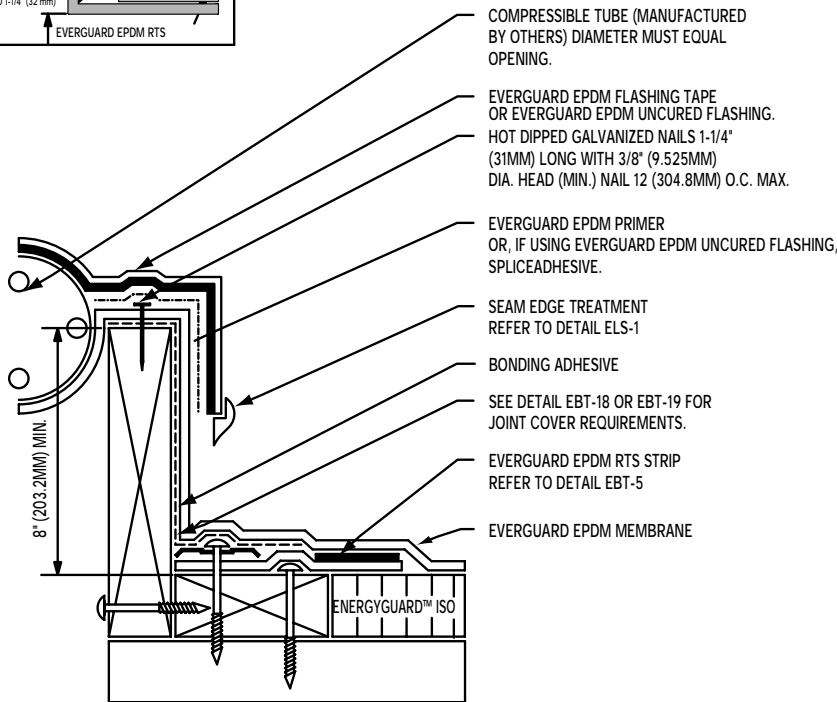
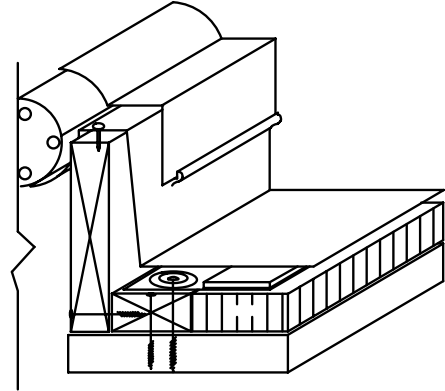
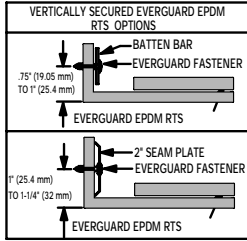
EPS-1



NOTES:

1. IF ANCHORS MUST PENETRATE SHEET METAL, EPDM WASHERS MUST BE USED AND SUBSEQUENTLY CAULKED WITH ALL PURPOSE SEALANT.

SYSTEMS: Ballasted, Adhered, Reinforced, Mechanically Attached
 FOR USE IN GUARANTEED SYSTEMS: Up to 20 Years

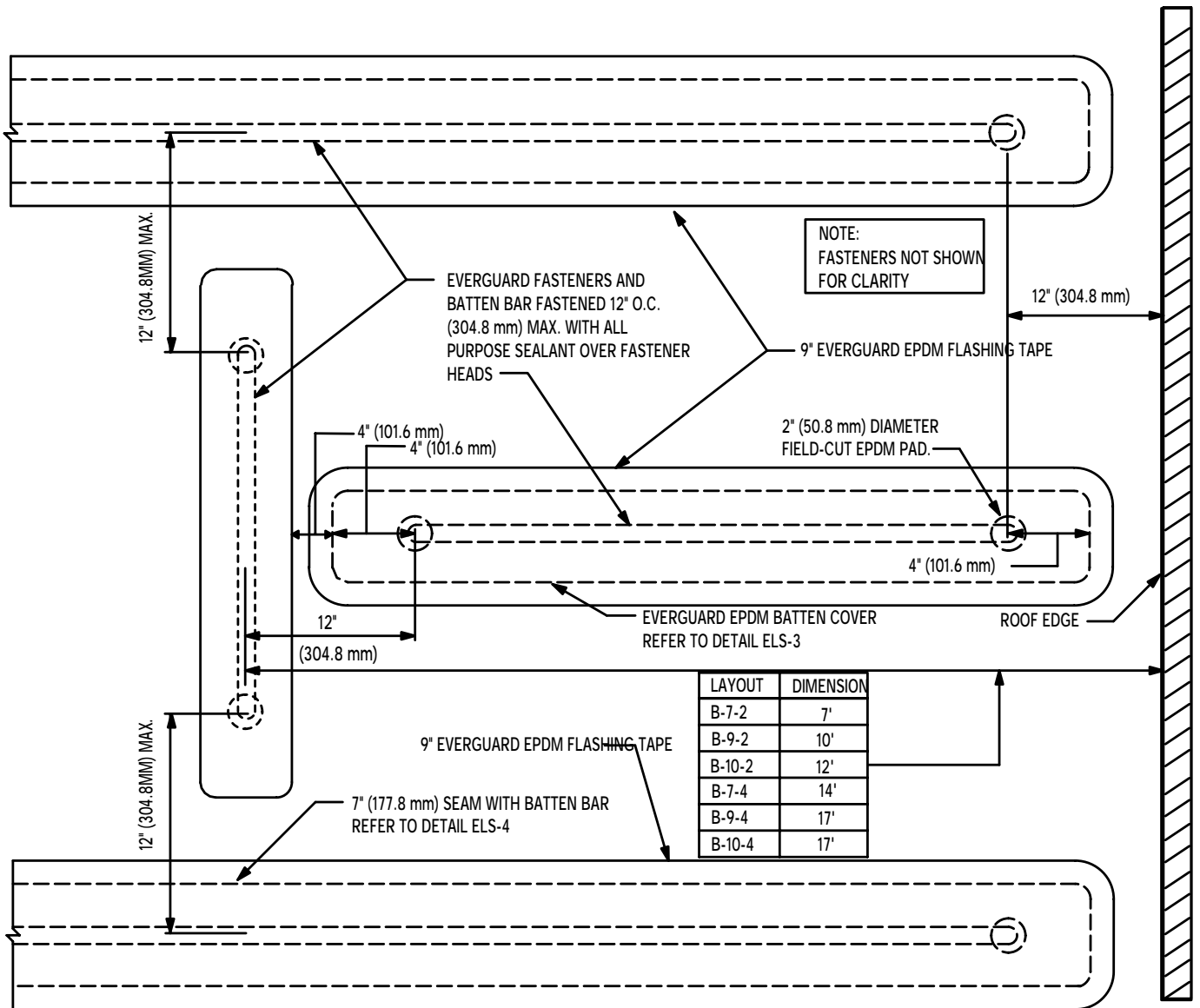


SYSTEMS: Ballasted, Adhered, Reinforced, Mechanically Attached
 FOR USE IN GUARANTEED SYSTEMS: Up to 20 Years

EPE-2

EVERGUARD® EPDM
 Raised Curb Expansion Joint With Membrane Cover

September 2002
 Interim Updates at www.gaf.com



SYSTEMS: Ballasted, Adhered, Reinforced, Mechanically Attached
FOR USE IN GUARANTEED SYSTEMS: Up to 20 Years

EPB-1