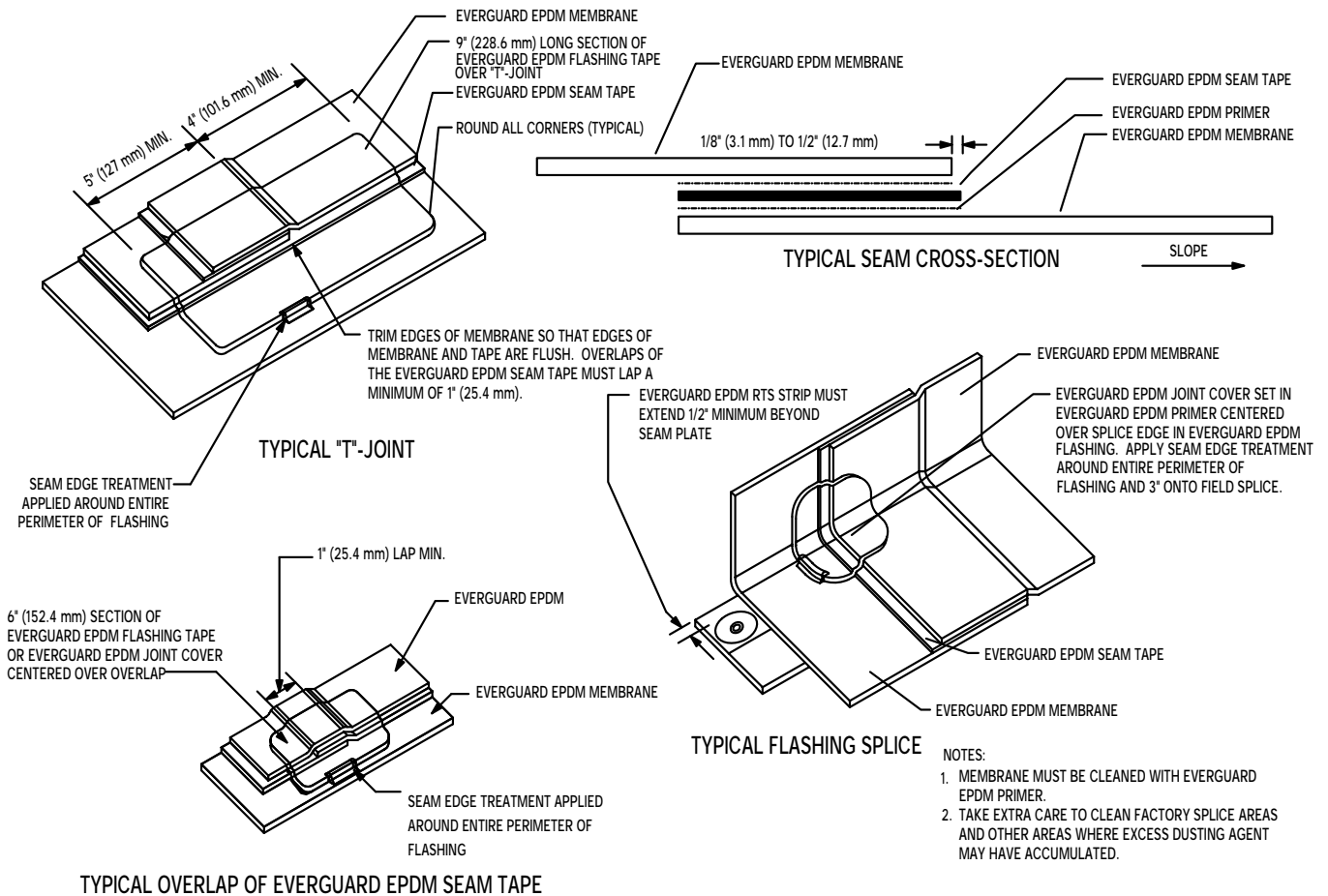


EverGuard® EPDM Table of Contents System Details

Details No.	EverGuard EPDM Metal Recover Systems	Systems
EMR-LS-1	EPDM Tape Lap Splice Metal Recover	System Adhered
EMR-RE-1	Roof Edge Metal Recover	System Adhered
EMR-RE-2	Box Gutter Metal Recover	System Adhered
EMR-BT-1	Base Tie-In Metal Recover	System Adhered
EMR-BT-2	Thru-Wall Flashing And Base Tie-In	Metal Recover & System Adhered
EMR-BT-3	Curb Flashing	Metal Recover & System Adhered
EMR-C-1	Outside Corner	Metal Recover & System Adhered
EMR-C-2	Inside Corner	Metal Recover & System Adhered
EMR-P-2	Pipe Flashing	Metal Recover & System Adhered
EMR-P-2	Stack Flashing	Metal Recover & System Adhered

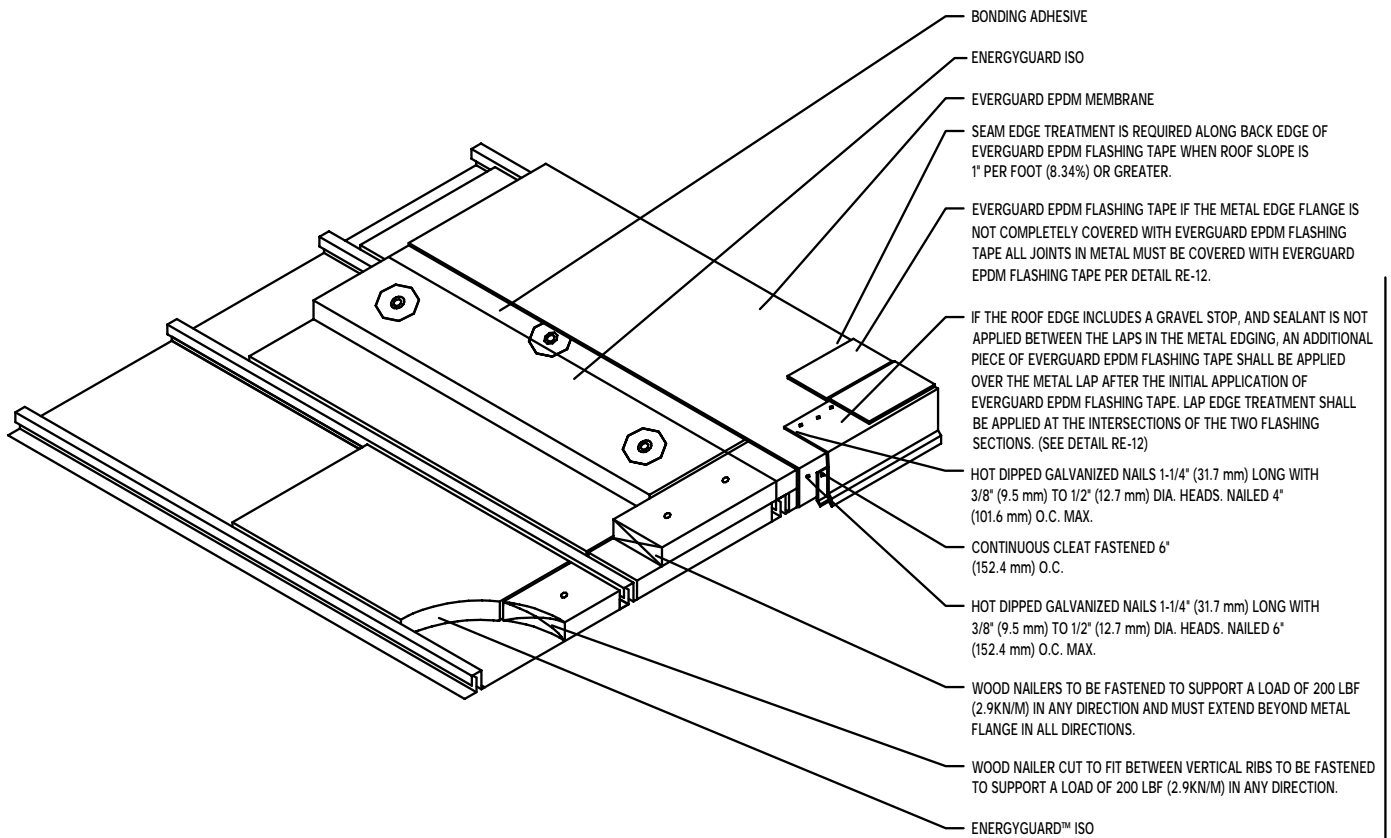


SYSTEMS: Metal Recover Systems Adhered
 FOR USE IN GUARANTEED SYSTEMS: Up to 15 Years

EVERGUARD® EPDM
 EverGuard EPDM Tape Lap Splice

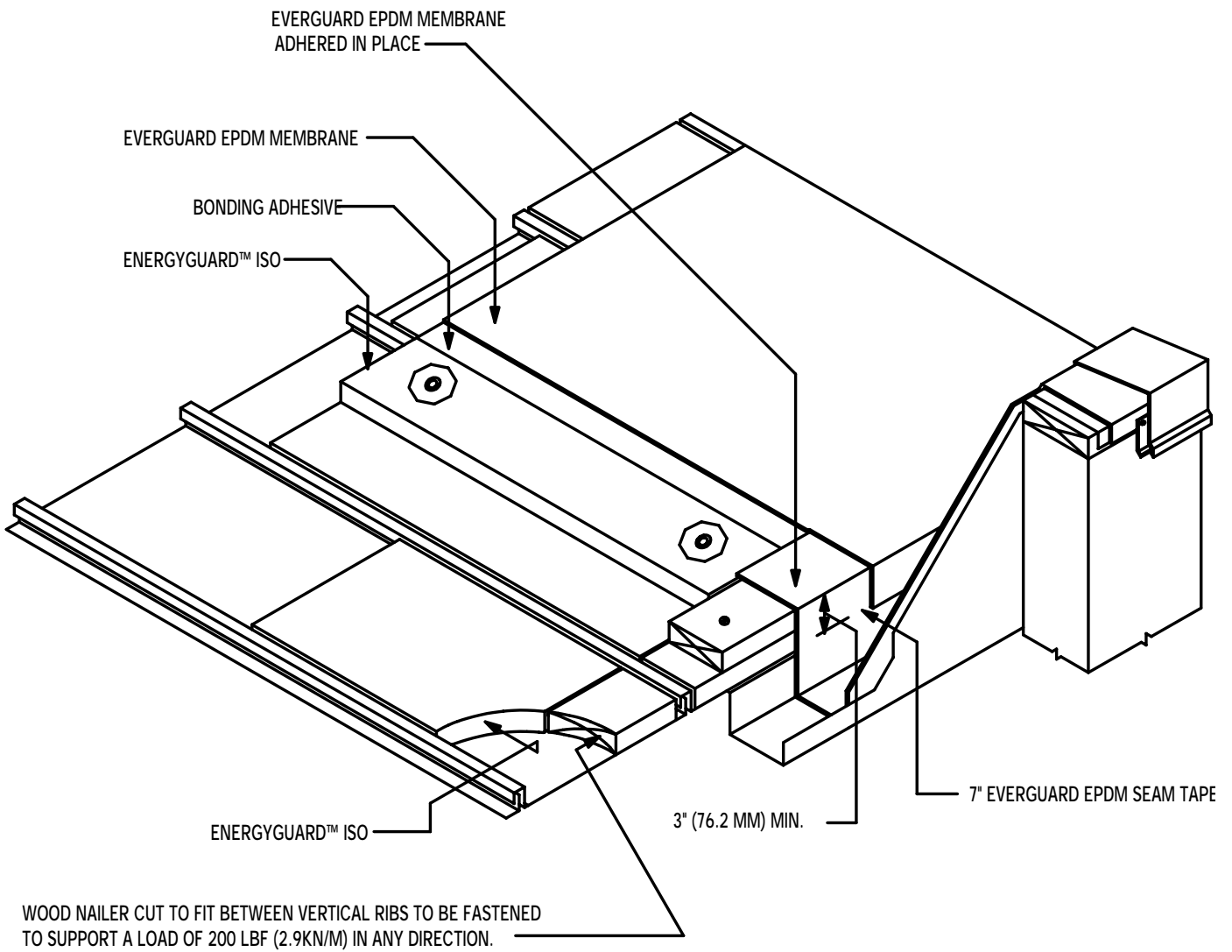
EMR-LS-1

September 2002
 Interim Updates at www.gaf.com



SYSTEMS: Metal Recover System Adhered
 FOR USE IN GUARANTEED SYSTEMS: Up to 15 Years

EMR-RE-1



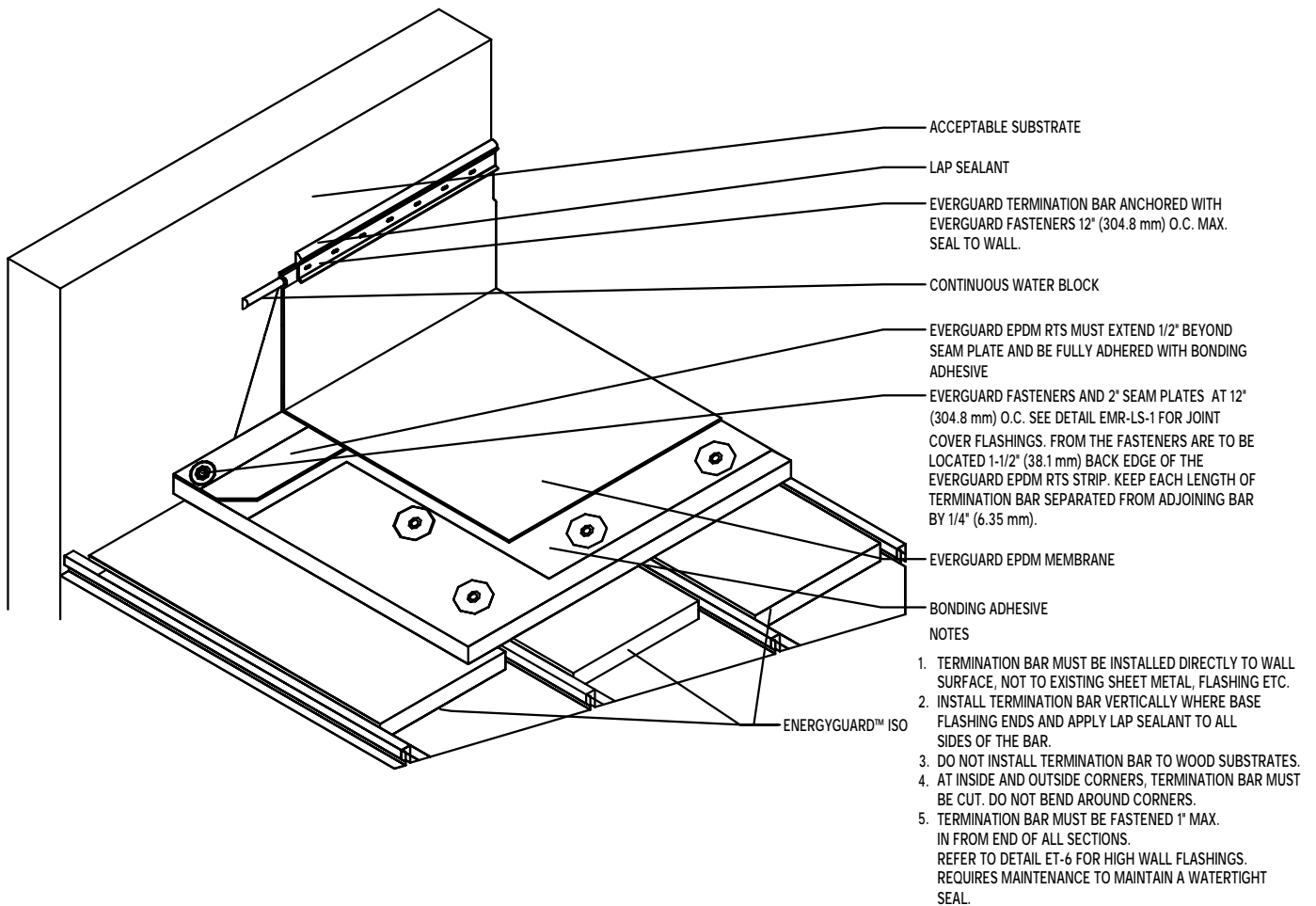
SYSTEMS: Metal Recover Systems Adhered
FOR USE IN GUARANTEED SYSTEMS: Up to 15 Years

EVERGUARD® EPDM
Box Gutter

EMR-RE-2

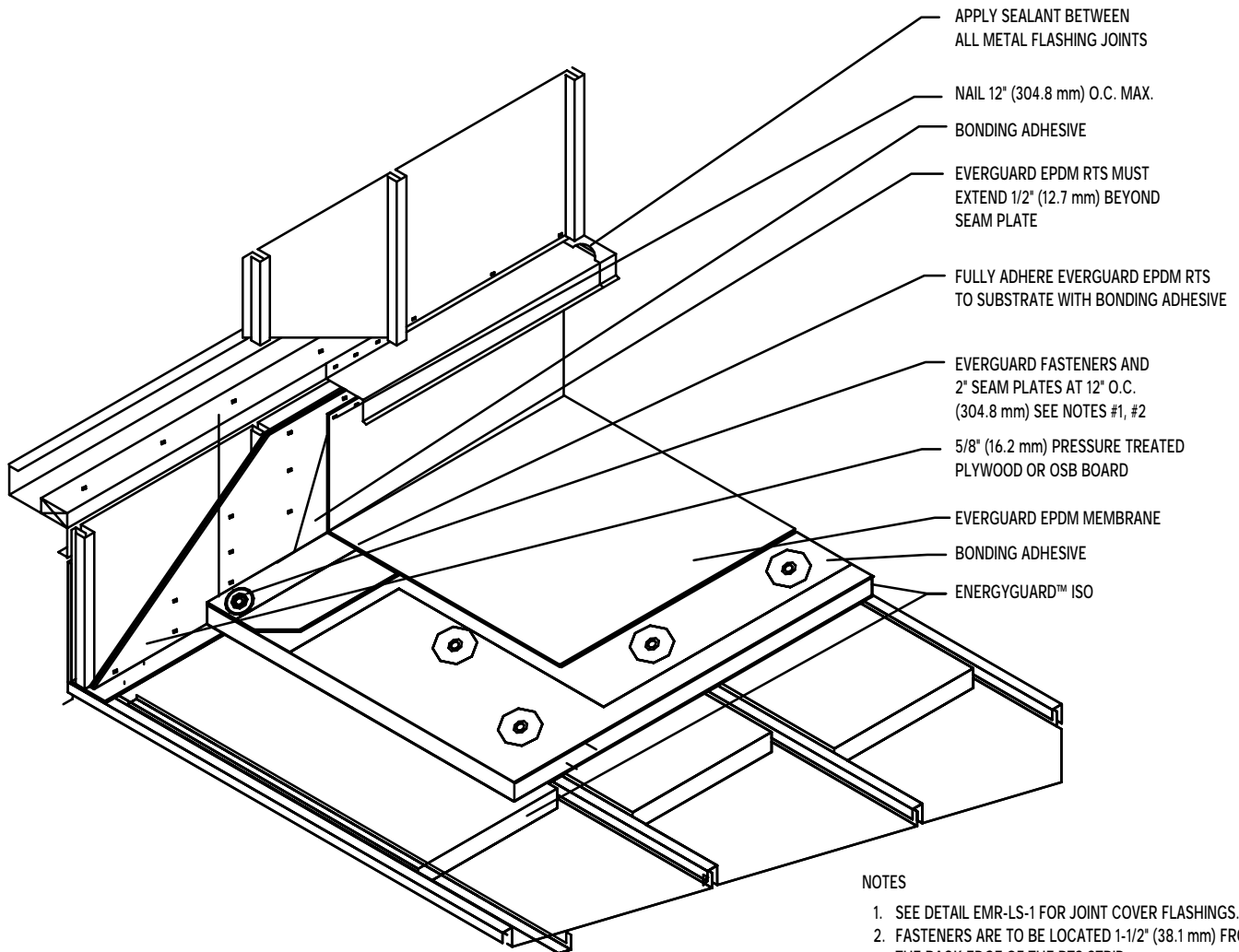
September 2002
Interim Updates at www.gaf.com

133



SYSTEMS: Metal Recover Systems Adhered
 FOR USE IN GUARANTEED SYSTEMS: Up to 15 Years

EMR-BT-1

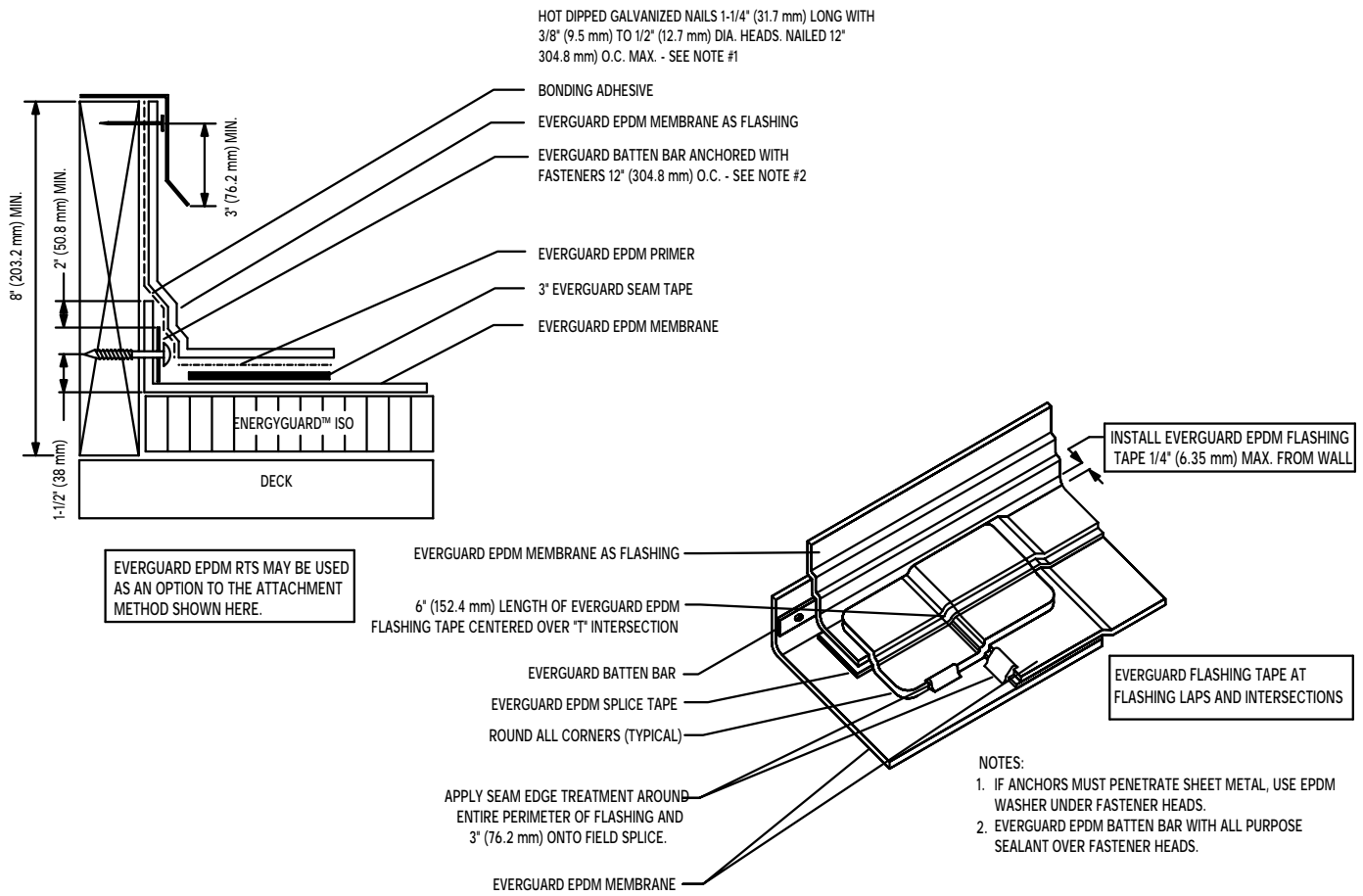


SYSTEMS: Metal Recover Systems Adhered
 FOR USE IN GUARANTEED SYSTEMS: Up to 15 Years

EVERGUARD® EPDM
 Thru-Wall Flashing And Base Tie-In

EMR-BT-2

September 2002
 Interim Updates at www.gaf.com

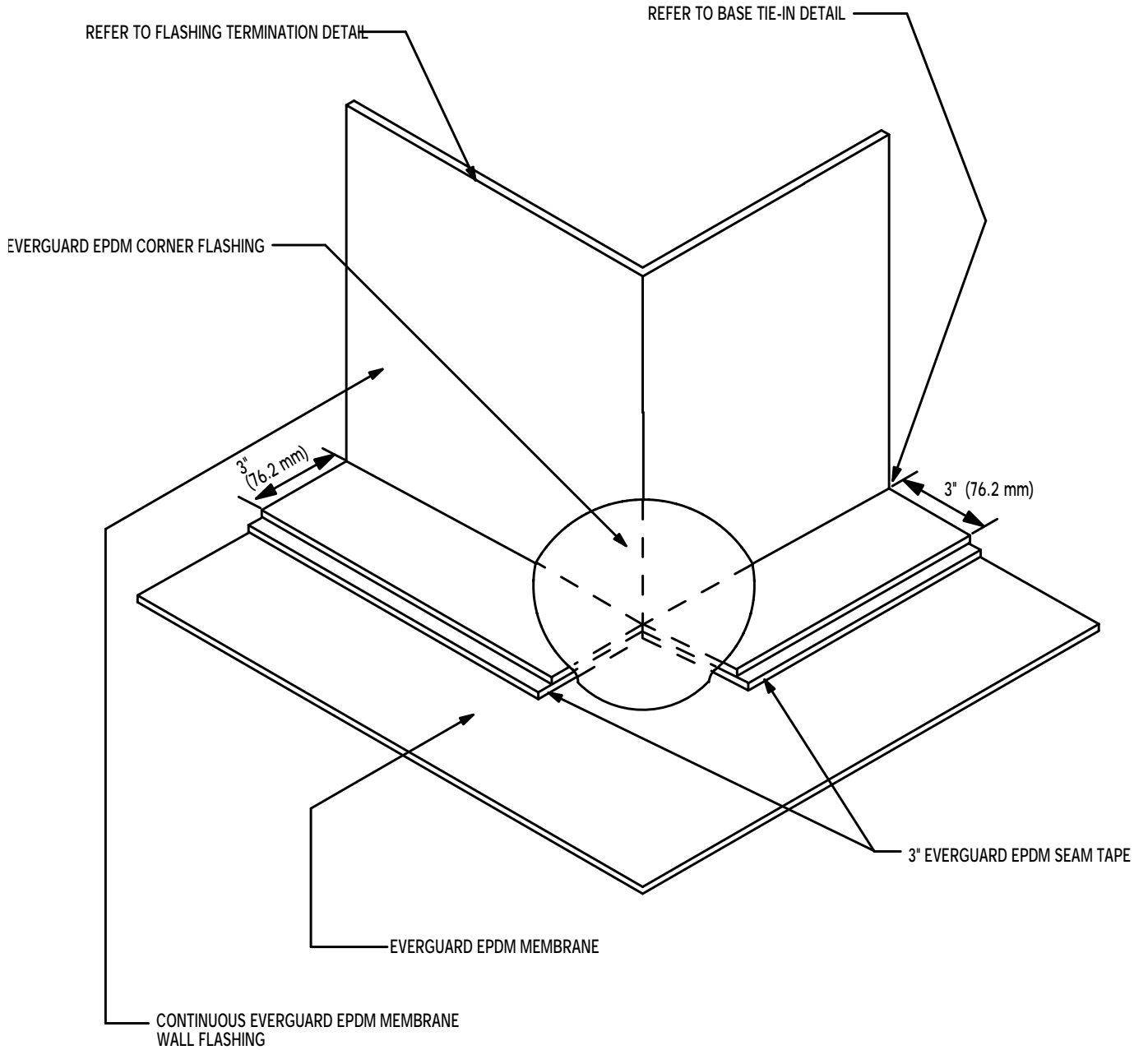


SYSTEMS: Metal Recover Systems Adhered
FOR USE IN GUARANTEED SYSTEMS: Up to 15 Years

EVERGUARD® EPDM
Curb Flashing

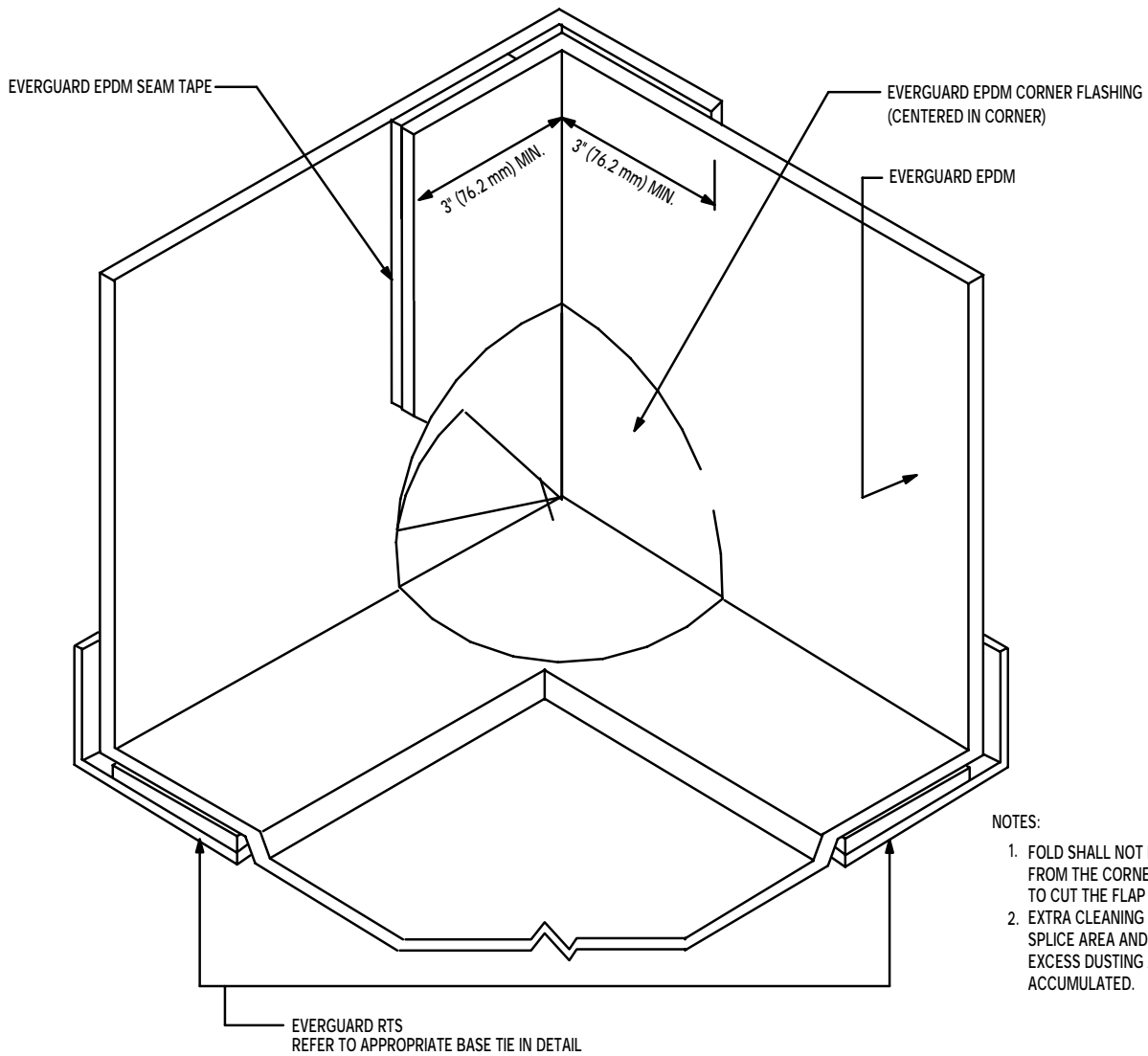
EMR-BT-3

September 2002
Interim Updates at www.gaf.com



SYSTEMS: Metal Recover Systems Adhered
 FOR USE IN GUARANTEED SYSTEMS: Up to 15 Years

EMR-C-1



NOTES:

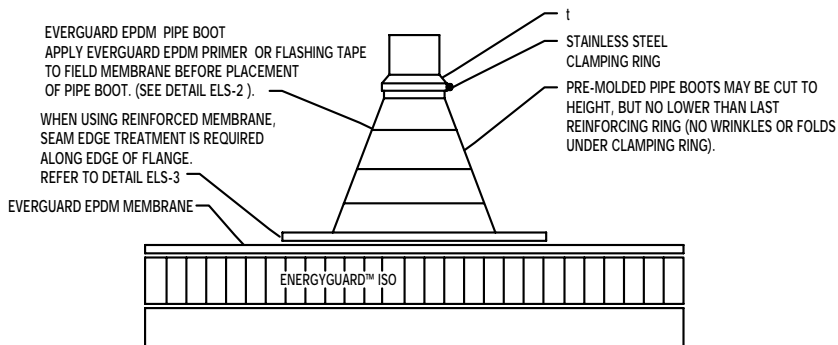
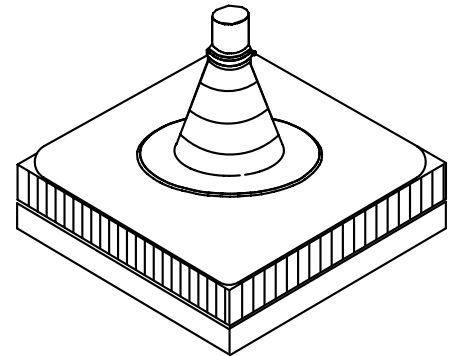
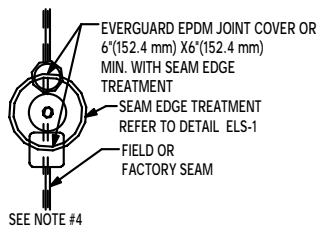
1. FOLD SHALL NOT EXCEED 3" (76.2 mm) FROM THE CORNER. (IT MAY BE NECESSARY TO CUT THE FLAP AS SHOWN IN DETAIL.)
2. EXTRA CLEANING IS REQUIRED AT FACTORY SPLICE AREA AND OTHER AREAS WHERE EXCESS DUSTING AGENT MAY HAVE ACCUMULATED.

SYSTEMS: Metal Recover Systems Adhered
FOR USE IN GUARANTEED SYSTEMS: Up to 15 Years

EVERGUARD® EPDM
Inside Corner

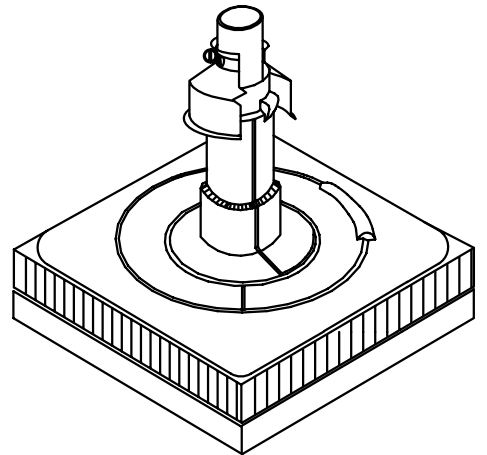
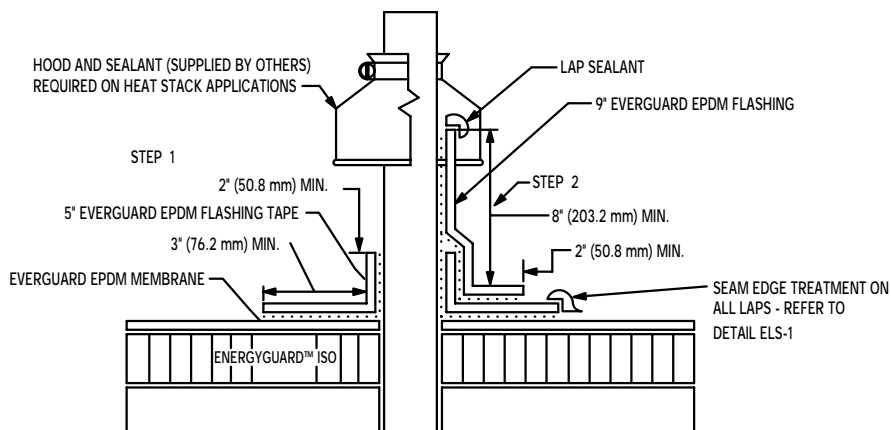
EMR-C-2

September 2002
Interim Updates at www.gaf.com



NOTES:

1. REMOVE ALL EXISTING FLASHINGS, LEAD, ETC. PIPE SURFACE MUST BE FREE OF ALL RUST, GREASE, ETC.
2. PIPE MUST BE ANCHORED TO BOTTOM SIDE OF DECK TO ASSURE STABILITY.
3. IF THE FLANGE OF THE PIPE BOOT OVERLAPS A FIELD OR FACTORY SEAM, A "T" JOINT PATCH OR 6' (152.4 mm) X 6' (152.4 mm) MIN. PIECE OF EVERGUARD EPDM UNCURED FLASHING, CENTERED OVER THE INTERSECTION, IS REQUIRED.



NOTES:

1. REMOVE ALL EXISTING FLASHINGS, LEAD, ETC. PIPE SURFACE MUST BE FREE OF ALL RUST, GREASE, ETC.
2. PIPE MUST BE ANCHORED TO BOTTOM SIDE OF DECK TO ASSURE STABILITY.
3. DO NOT INSTALL CLAMPING RING AROUND TOP OF FORMFLASH.
4. WOOD NAILER REQUIRED WHEN OUTSIDE DIAMETER OF THE PIPE EXCEEDS 18" (457.2 mm) - REFER TO BASE TIE-IN DETAILS.
5. USE THIS DETAIL WHEN THE IN-SERVICE TEMPERATURE OF THE PIPE DOES NOT EXCEED 180° F (82°C).
6. SEAM EDGE TREATMENT APPLIED AROUND ENTIRE PERIMETER OF FLASHING - REFER TO DETAIL ELS-1

SYSTEMS: Metal Recover Systems Adhered
FOR USE IN GUARANTEED SYSTEMS: Up to 15 Years

EMR-P-2

EVERGUARD® EPDM
Stack Flashing

September 2002
Interim Updates at www.gaf.com

140