

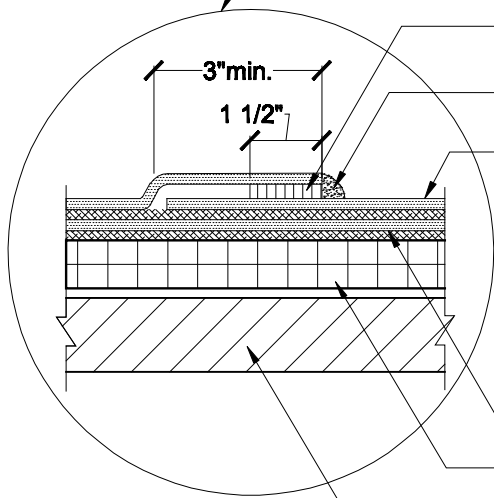
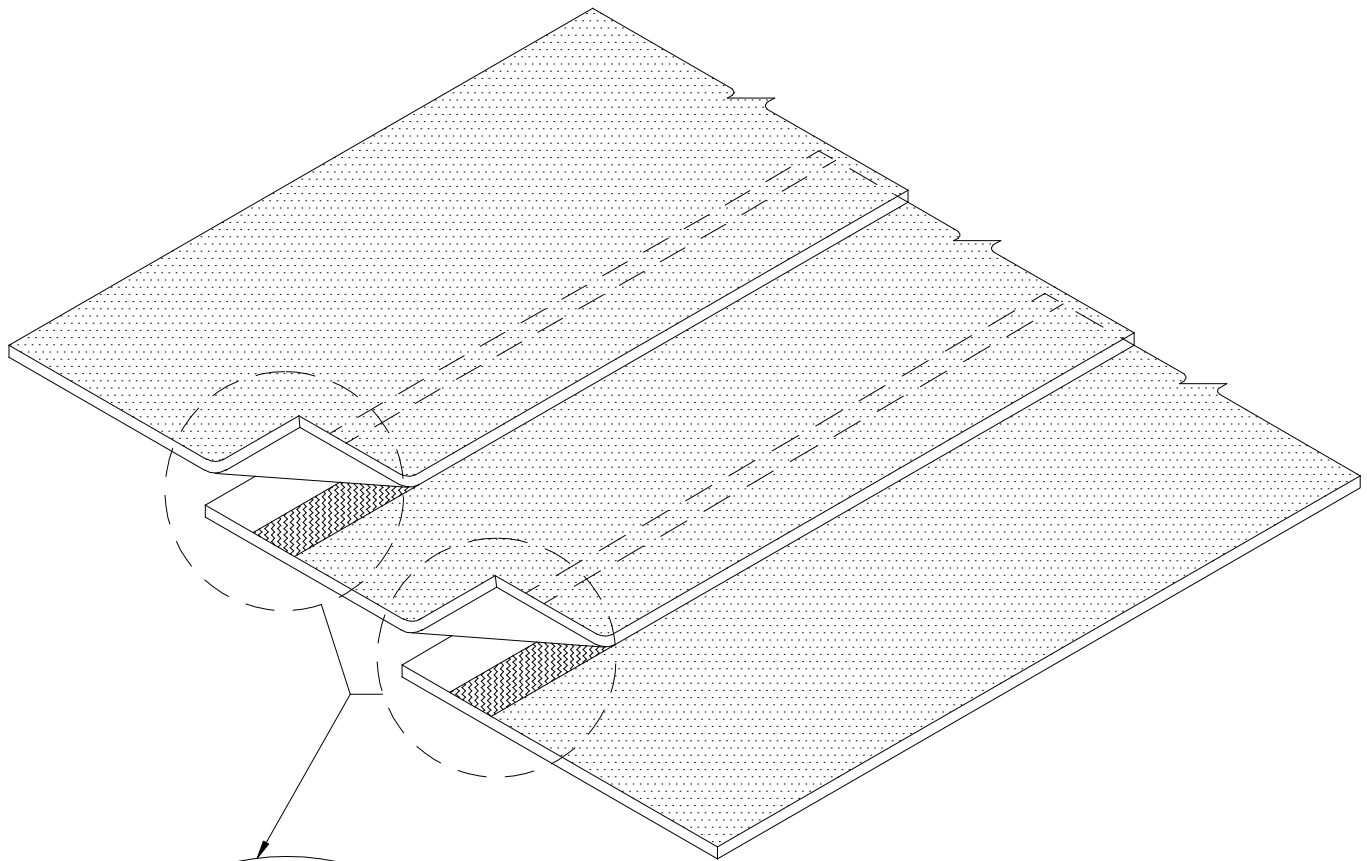
# TriPosite Side Lap TRI 102

## Diagram

Updated: 11/06



*Quality You Can Trust Since 1886...  
From North America's Largest Roofing Manufacturer™*



- HEAT WELDED LAP
- EVERGUARD® CUT EDGE SEALANT
- EVERGUARD® REINFORCED FLEECEBACK MEMBRANE
- GAF BUR ASSEMBLY
- ENERGYGUARD ROOF INSULATION
- ROOF DECK/SUBSTRATE

**NOTE:**

1. FOR HEAT WELDING LAPS USE 1 1/2" WELD WITH AUTOMATIC MACHINE WELDER.
2. APPLY EVERGUARD® TPO CUT EDGE SEALANT TO ALL CUT REINFORCED TPO EDGES ( REFER TO DETAIL MA/FA/BA 115 ).



**SIDE LAP**

DRAWING #  
**TRI 102**

SCALE	ISSUE/ REVISION DATE
N.T.S.	11-01-06