

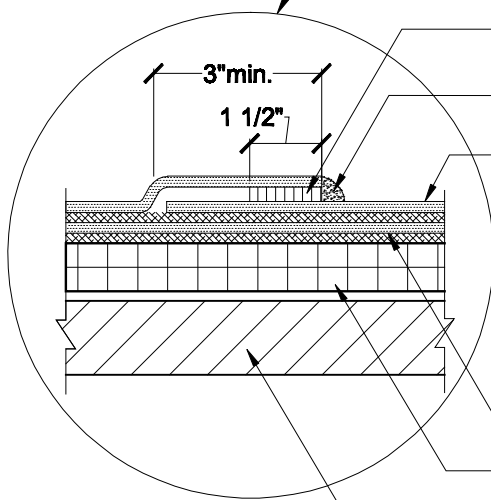
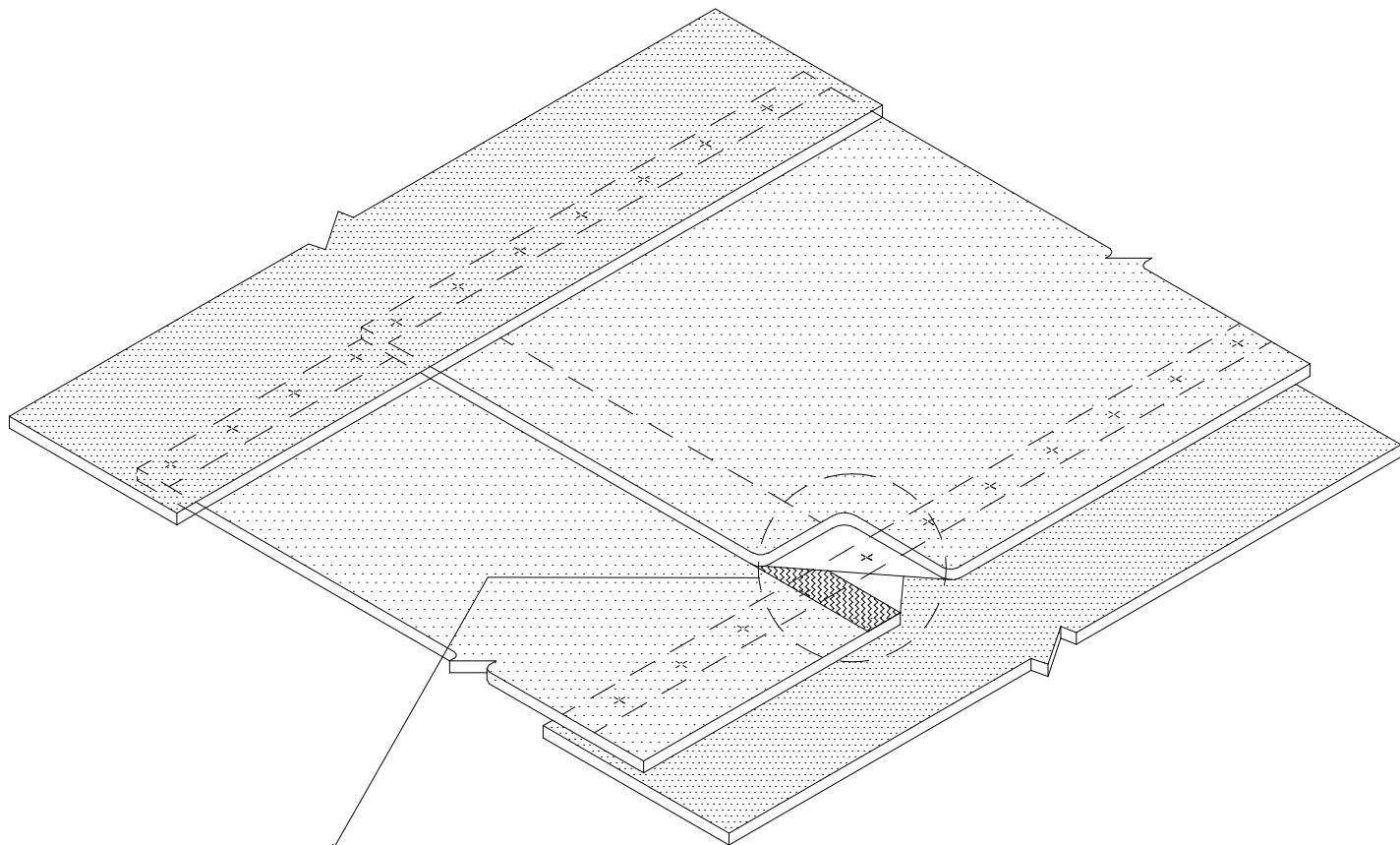
TriPosite End Lap TRI 104

Diagram

Updated: 11/06



*Quality You Can Trust Since 1886...
From North America's Largest Roofing Manufacturer™*



- HEAT WELDED LAP
- EVERGUARD® CUT EDGE SEALANT
- EVERGUARD® REINFORCED FLEECEBACK MEMBRANE
- GAF BUR ASSEMBLY
- ENERGYGUARD™ ROOF INSULATION
- ROOF DECK/SUBSTRATE

NOTE:

1. FOR HEAT WELDING LAPS USE 1 1/2" WELD WITH AUTOMATIC MACHINE WELDER AND 2" WELD WITH HAND WELDER.
2. T-JOINTS REQUIRED ON 60 & 80 MIL TPO AND 80 MIL PVC.
3. APPLY EVERGUARD® TPO CUT EDGE SEALANT TO ALL CUT REINFORCED TPO EDGES (REFER TO DETAIL MA/FA/BA 115).



END LAP

DRAWING #
TRI 104

SCALE	ISSUE/ REVISION DATE
N.T.S.	11-01-06