

TriPosite®
Adhered Looped Lightning
Suppression Mounting
TRI 605

Diagram

Updated: 11/06

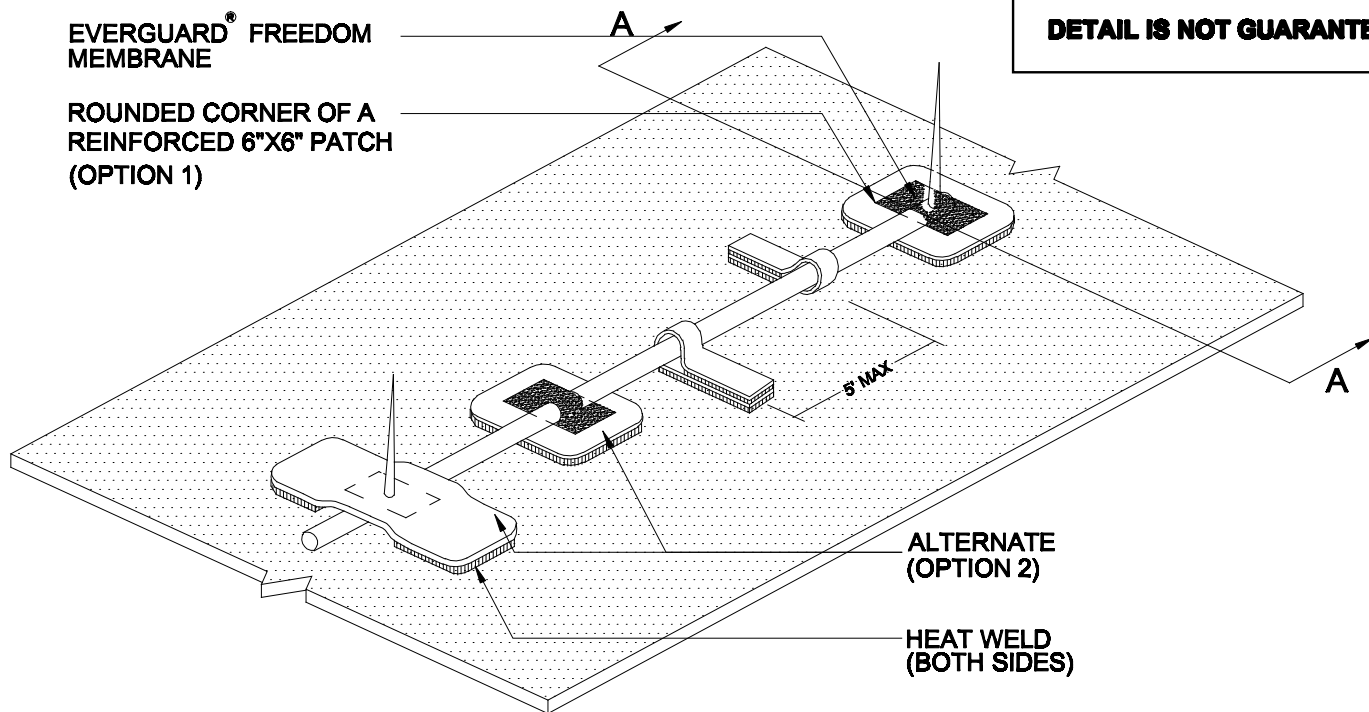


*Quality You Can Trust Since 1886...
From North America's Largest Roofing Manufacturer™*

EVERGUARD® FREEDOM MEMBRANE

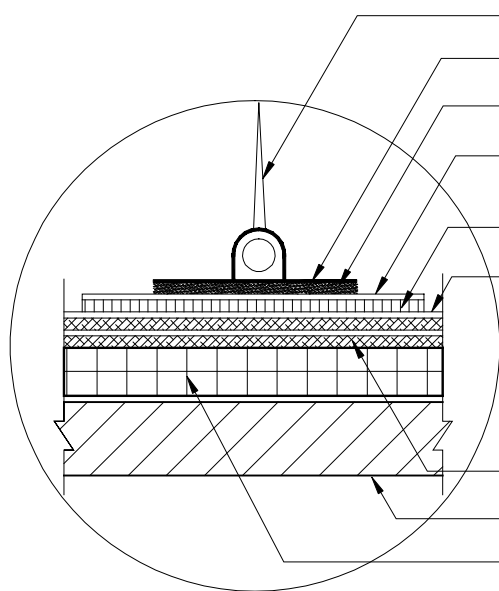
ROUNDED CORNER OF A REINFORCED 6"X6" PATCH (OPTION 1)

DETAIL IS NOT GUARANTEED



ALTERNATE (OPTION 2)

HEAT WELD (BOTH SIDES)



SECTION A

LIGHTNING ROD

CABLE LINE/LIGHTNING ROD BASE

EVERGUARD® CAULKING

PRIMED EVERGUARD® REINFORCED MEMBRANE 6" x 6" PATCH

HEAT WELD

EVERGUARD® REINFORCED FLEECEBACK MEMBRANE

GAF BUR ASSEMBLY

ROOF DECK / SUBSTRATE

ENERGYGUARD™ ROOF INSULATION



ADHERED LOOPED LIGHTNING SUPPRESSION MOUNTING

DRAWING #

TRI 605

SCALE
N.T.S.

ISSUE/ REVISION DATE
11-01-06