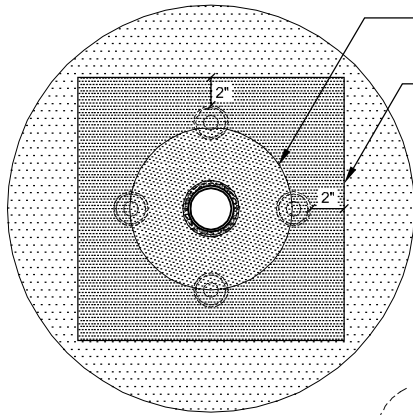


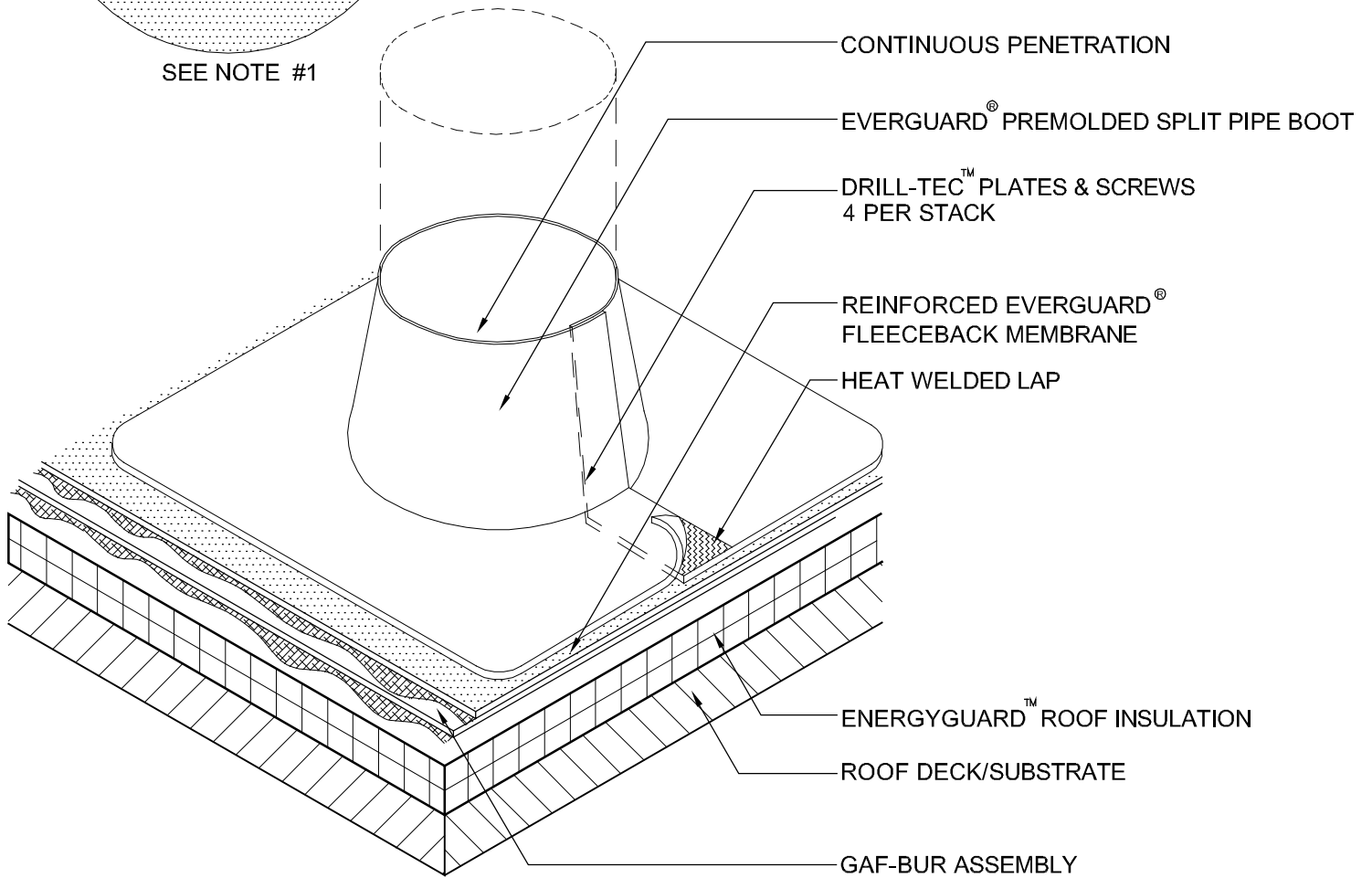
ALTERNATE INSTALLATION



SEE NOTE #1

EVERGUARD® SPLIT PIPE BOOT

TARGET



CONTINUOUS PENETRATION

EVERGUARD® PREMOLDED SPLIT PIPE BOOT

DRILL-TEC™ PLATES & SCREWS  
4 PER STACK

REINFORCED EVERGUARD®  
FLEECEBACK MEMBRANE

HEAT WELDED LAP

ENERGYGUARD™ ROOF INSULATION

ROOF DECK/SUBSTRATE

GAF-BUR ASSEMBLY

**NOTE:**

1. IF THE PLATES AND FASTENERS INTRUDE INTO BOOT FLANGE AREA, THEN A TARGET MUST FIRST BE INSTALLED OVER PLATES AND FASTENERS BEFORE BOOT INSTALLATION.

2. APPLY EVERGUARD® TPO CUT EDGE SEALANT TO ALL CUT REINFORCED TPO EDGES (REFER TO DETAIL MA/FA/BA 115).



ROOF PENETRATION  
SERIES

**SPLIT PIPE BOOT DETAIL**

DRAWING #

524

SYSTEM

TRI

SCALE

N.T.S.

ISSUE/ REVISION DATE

10-01-09