

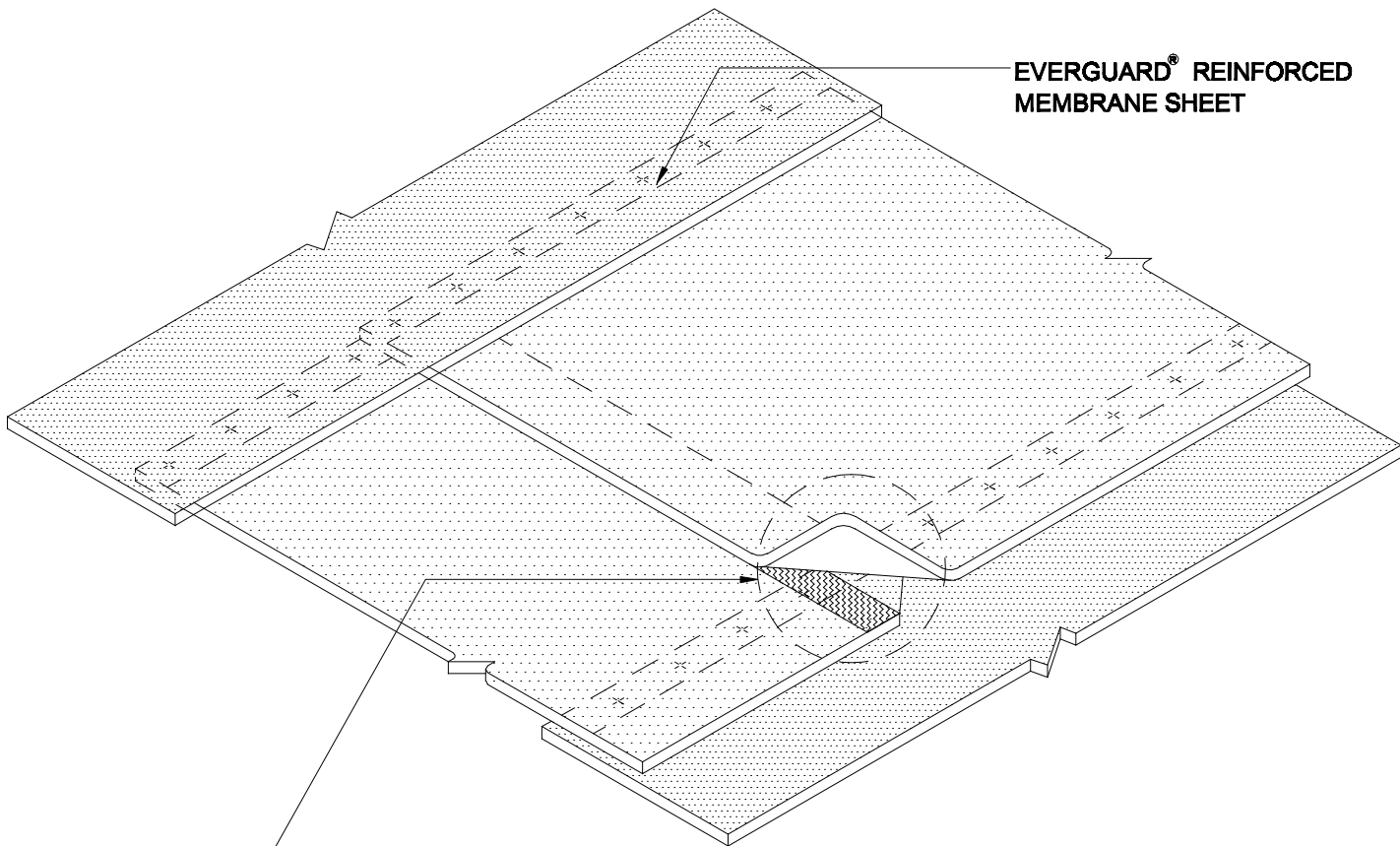
EverGuard®
End Lap
MA/FA/BA 104

Diagram

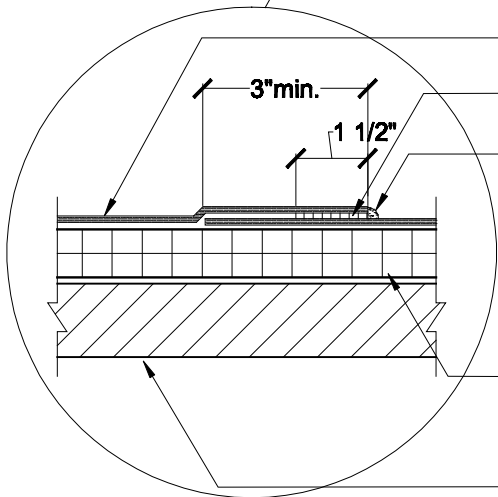
Updated: 11/06



*Quality You Can Trust Since 1886...
From North America's Largest Roofing Manufacturer™*



EVERGUARD® REINFORCED
MEMBRANE SHEET



EVERGUARD® REINFORCED MEMBRANE SHEET

HEAT WELDED LAP

TPO CUT EDGE SEALANT

ENERGYGUARD™ ROOF INSULATION

ROOF DECK/SUBSTRATE

NOTE:

1. FOR HEAT WELDING LAPS USE 1 1/2" WELD WITH AUTOMATIC MACHINE WELDER AND 2" WELD WITH HAND WELDER.
2. T-JOINTS REQUIRED ON 60 & 80 MIL TPO AND 80 MIL PVC.
3. APPLY EVERGUARD® TPO CUT EDGE SEALANT TO ALL CUT REINFORCED TPO EDGES (REFER TO DETAIL MA/FA/BA 115).



END LAP

DRAWING #

MA/FA/BA 104

SCALE
N.T.S.

ISSUE/ REVISION DATE
11-01-06