

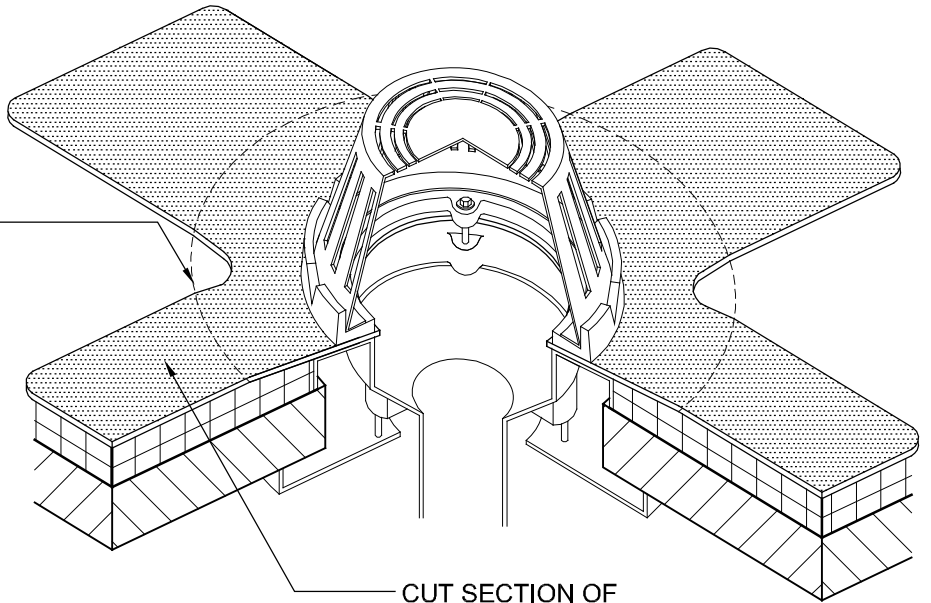
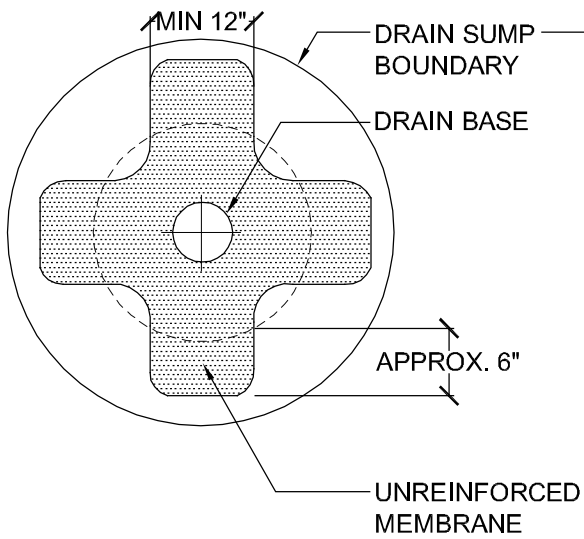
EverGuard®  
Severe Sump Target  
MA/FA/BA 518

Diagram

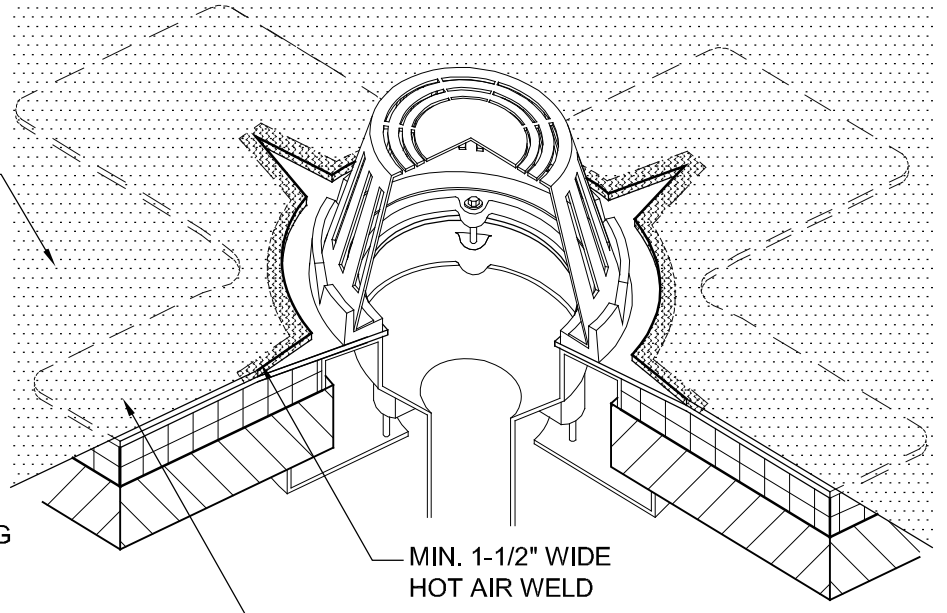
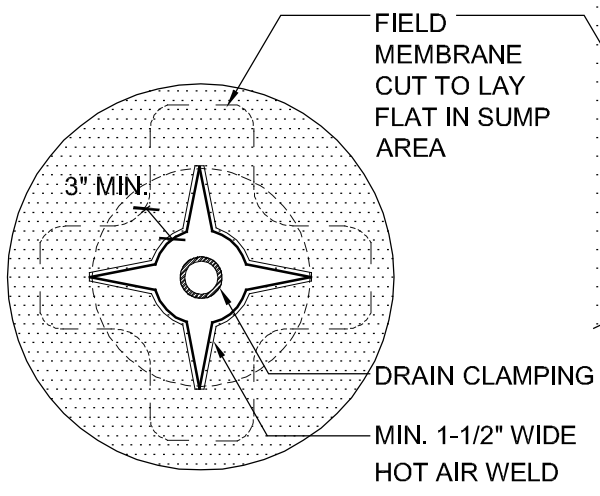
Updated: 4/09



*Quality You Can Trust Since 1886...  
From North America's Largest Roofing Manufacturer™*



CUT SECTION OF UNREINFORCED MEMBRANE AS SHOWN AND POSITION INTO DRAIN SUMP. EXTEND MEMBRANE OUT OF DRAIN SUMP APPROX. 6".



EXTEND EVERGUARD REINFORCED MEMBRANE ONTO MEMBRANE SECTION POSITIONED AT DRAIN SUMP AND CUT AS SHOWN TO LAY FLAT IN SUMP. HOT AIR WELD A MIN. OF 1-1/2" COMPLETELY SURROUNDING AREA.



**DRAIN- SEVERE SUMP TARGET**

DRAWING #	SYSTEM
518	MA/FA/BA
SCALE	ISSUE/ REVISION DATE
N.T.S.	4-01-09