

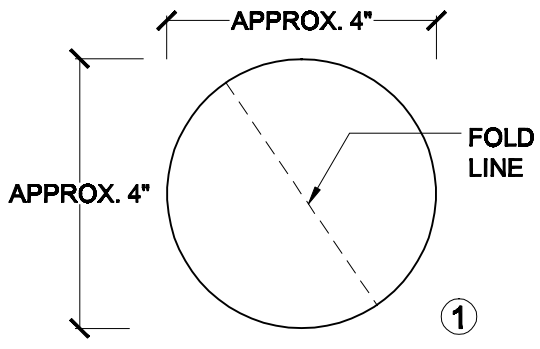
EverGuard®
Inside Corner Fabrication
MA/FA/BA 321

Diagram

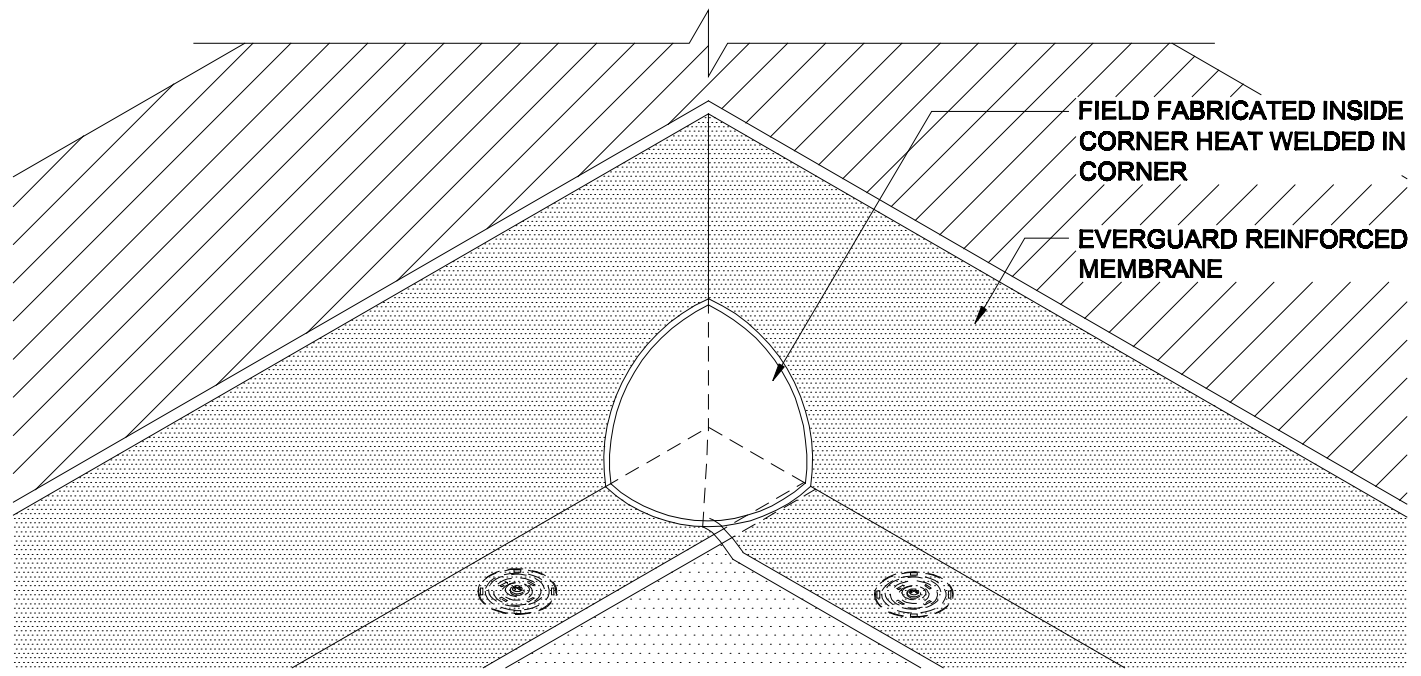
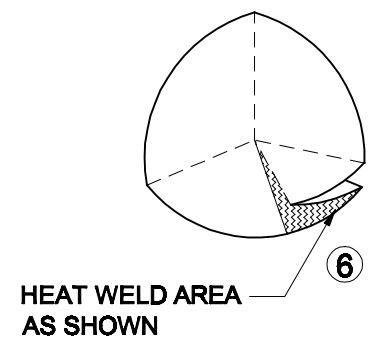
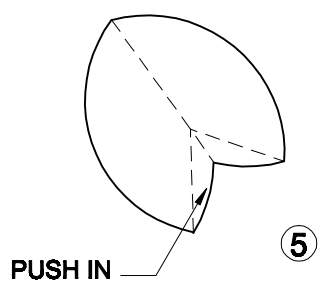
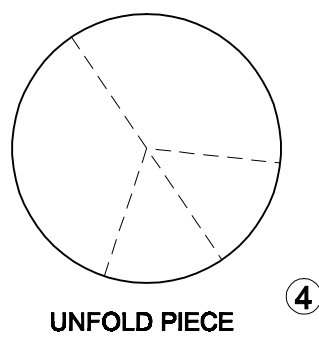
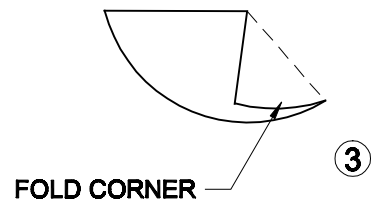
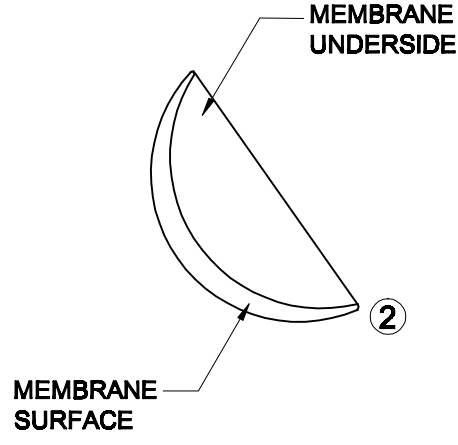
Updated: 11/06



*Quality You Can Trust Since 1886...
From North America's Largest Roofing Manufacturer™*



CUT A SECTION OF EVERGUARD®
NON-REINFORCED MEMBRANE.
FOLD ALONG LINE AS INDICATED.



INSIDE CORNER FABRICATION

DRAWING #
MA/FA/BA 321

SCALE N.T.S.	ISSUE/ REVISION DATE 11-01-06
-----------------	----------------------------------