

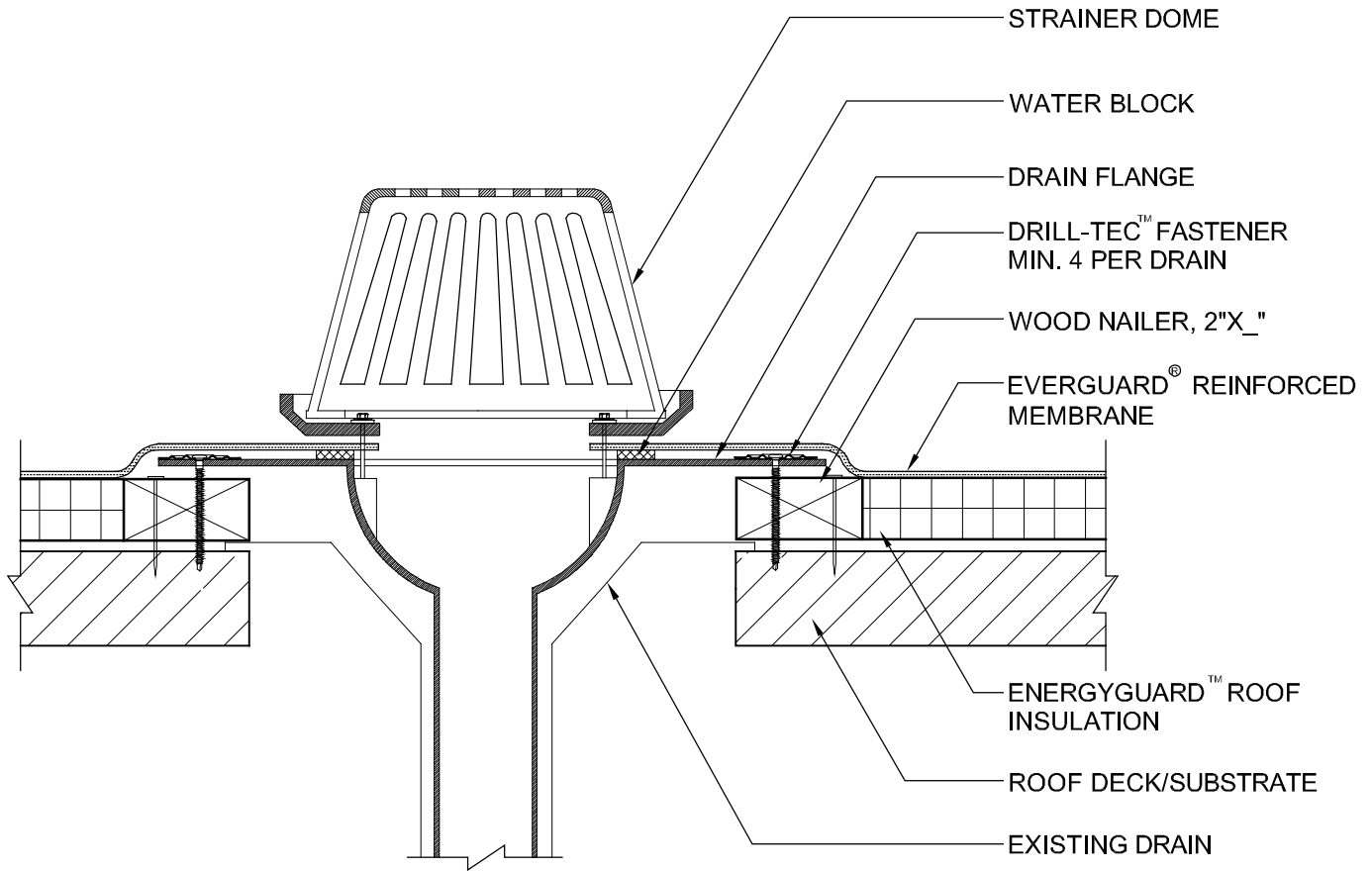
EverGuard®
Drain Retrofit/Insert
MA/FA/BA 516

Diagram

Updated: 4/09



*Quality You Can Trust Since 1886...
From North America's Largest Roofing Manufacturer™*



NOTE:

1. STONE/PAVER BALLAST (NOT SHOWN) REQUIRED FOR BA SYSTEMS.
2. INSTALL RETROFIT DRAIN INTO EXISTING DRAIN PER MANUFACTURERS RECOMENDATION.
3. APPLY EVERGUARD® TPO AND PVC CUT EDGE SEALANT TO ALL CUT REINFORCED TPO AND PVC EDGES (REFER TO DETAIL MA/FA/BA 115).



ROOF PENETRATION SERIES

DRAIN - RETROFIT/ INSERT

DRAWING #

516

SCALE

N.T.S.

SYSTEM

MA/FA/BA

ISSUE/ REVISION DATE

4-01-09