

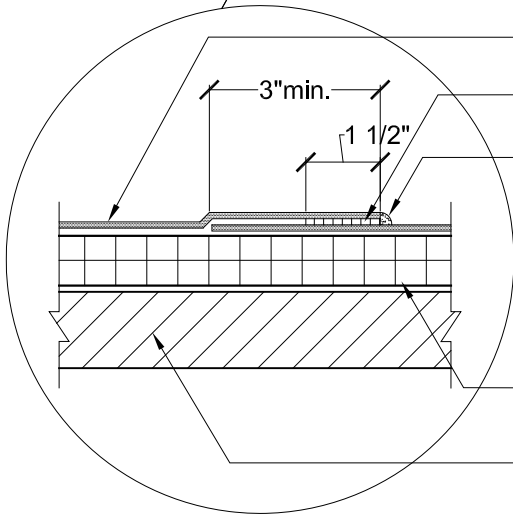
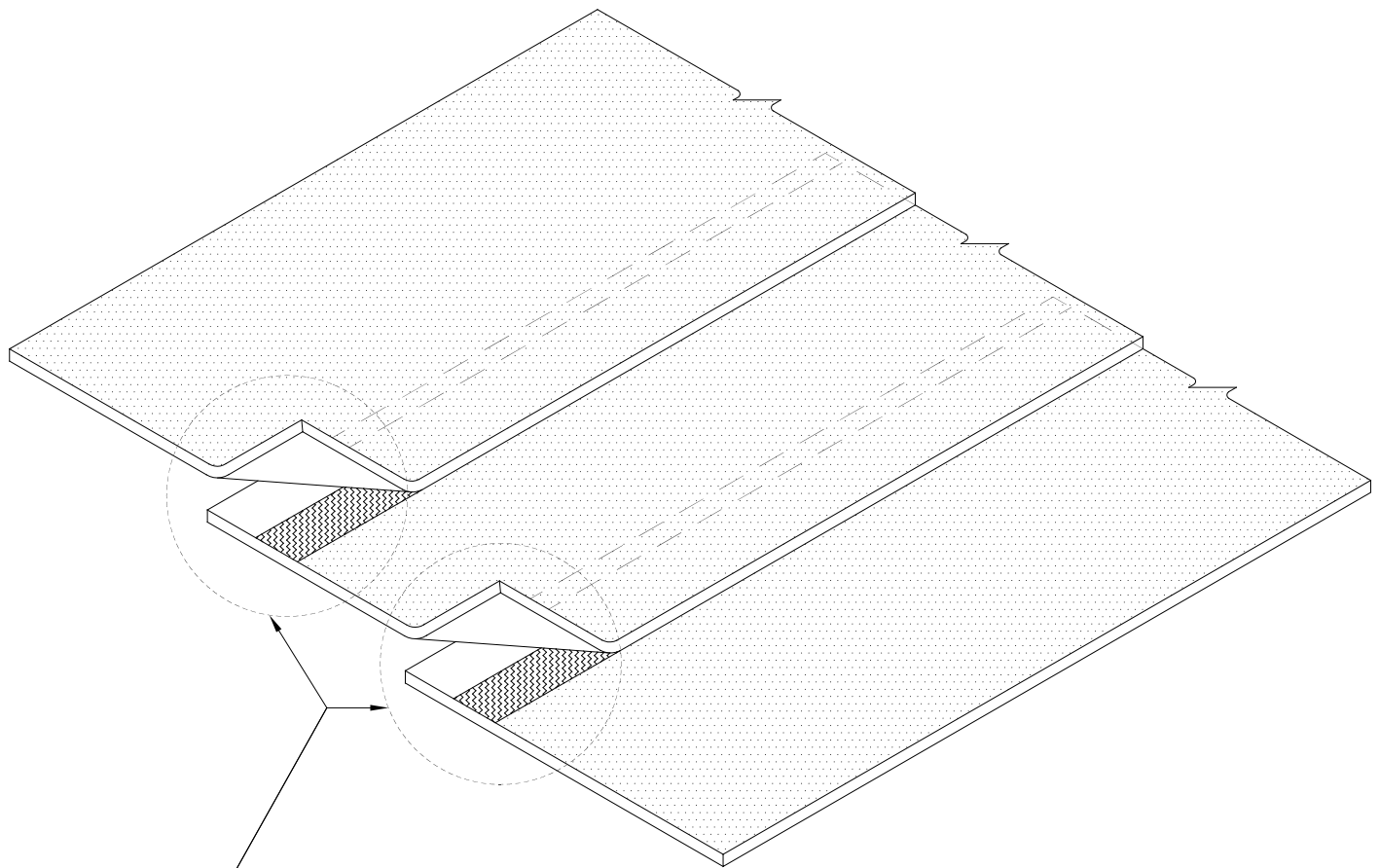
# EverGuard® Side Lap FA/BA 102

Diagram

Updated: 7/07



*Quality You Can Trust Since 1886...  
From North America's Largest Roofing Manufacturer™*



EVERGUARD<sup>®</sup> REINFORCED MEMBRANE SHEET

HEAT WELDED LAP

EVERGUARD<sup>®</sup> CUT EDGE SEALANT

ENERGYGUARD<sup>™</sup> ROOF INSULATION

ROOF DECK/SUBSTRATE

**NOTE:**

1. FOR HEAT WELDING LAPS USE 1 1/2" WELD WITH MACHINE AUTOMATIC MACHINE WELDER.
2. APPLY EVERGUARD<sup>®</sup> TPO AND PVC CUT EDGE SEALANT TO ALL CUT REINFORCED TPO AND PVC EDGES ( REFER TO DETAIL MA/FA/BA 115 ).