

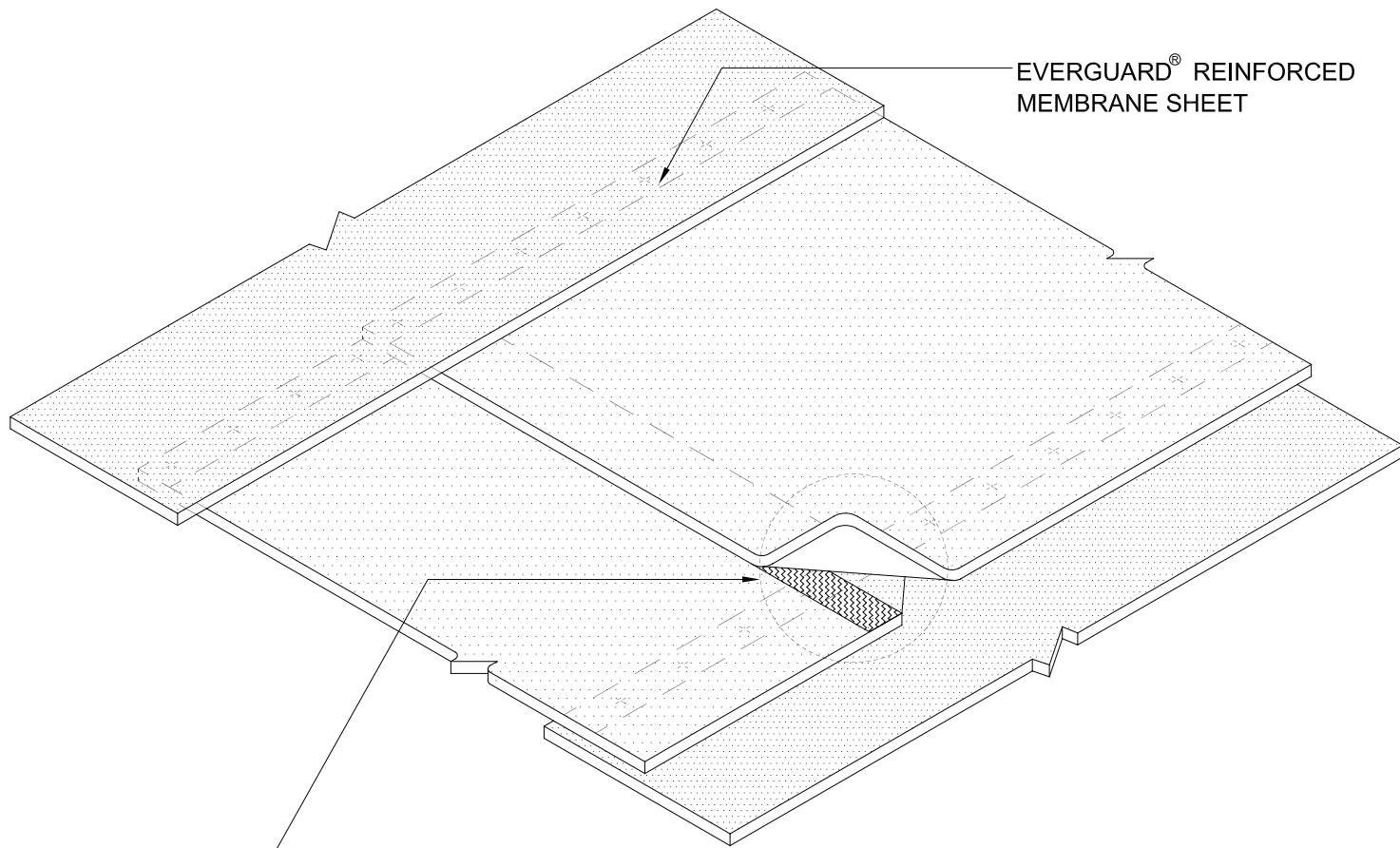
EverGuard®
End Lap
MA/FA/BA 104

Diagram

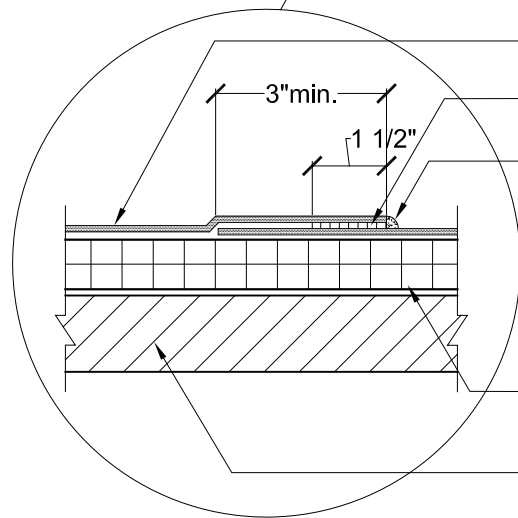
Updated: 7/07



*Quality You Can Trust Since 1886...
From North America's Largest Roofing Manufacturer™*



EVERGUARD® REINFORCED MEMBRANE SHEET



EVERGUARD® REINFORCED MEMBRANE SHEET

HEAT WELDED LAP

EVERGUARD® CUT EDGE SEALANT

ENERGYGUARD™ ROOF INSULATION

ROOF DECK/SUBSTRATE

NOTE:

1. FOR HEAT WELDING LAPS USE 1 1/2" WELD WITH AUTOMATIC MACHINE WELDER AND 2" WELD WITH HAND WELDER.
2. T-JOINTS REQUIRED ON 60 & 80 MIL TPO AND 80 MIL PVC.
3. APPLY EVERGUARD® TPO AND PVC CUT EDGE SEALANT TO ALL CUT REINFORCED TPO AND PVC EDGES (REFER TO DETAIL MA/FA/BA 115).



END LAP

DRAWING #
MA/FA/BA 104

SCALE	ISSUE/ REVISION DATE
N.T.S.	7-01-07