

EverGuard®  
Insulation Fastening Patterns  
MA 117

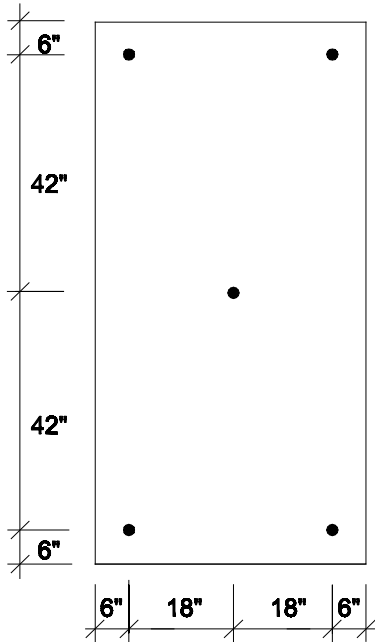
Diagram

Updated: 1/07



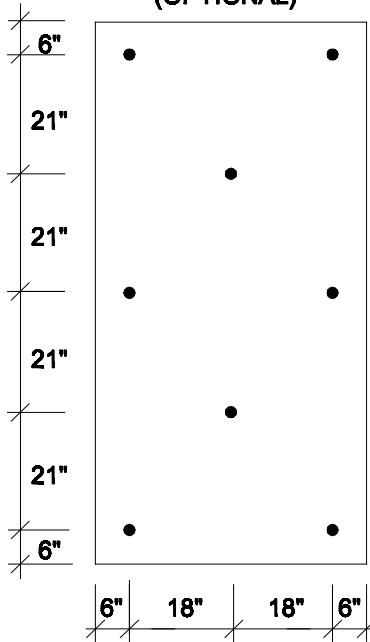
*Quality You Can Trust Since 1886...  
From North America's Largest Roofing Manufacturer™*

**FIELD AREA**



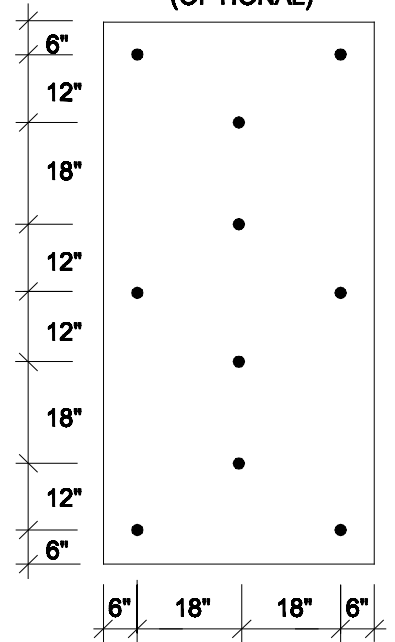
**5 FASTENERS PER  
4' x 8' BOARD**

**PERIMETER AREA  
(OPTIONAL)**

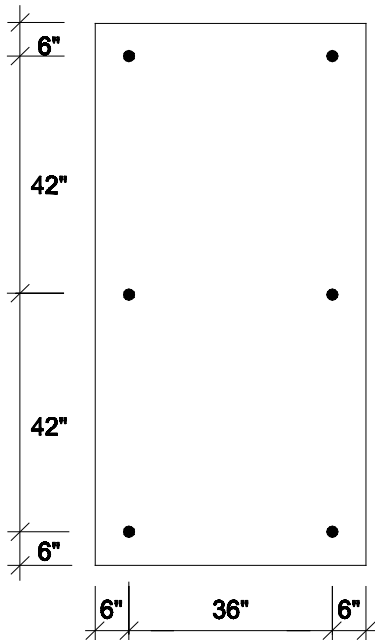


**8 FASTENERS PER  
4' x 8' BOARD**

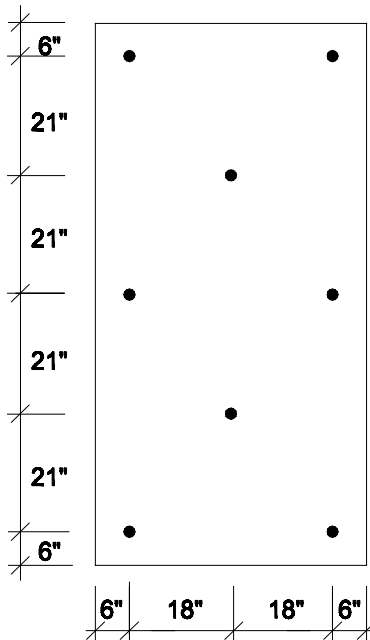
**CORNER AREA  
(OPTIONAL)**



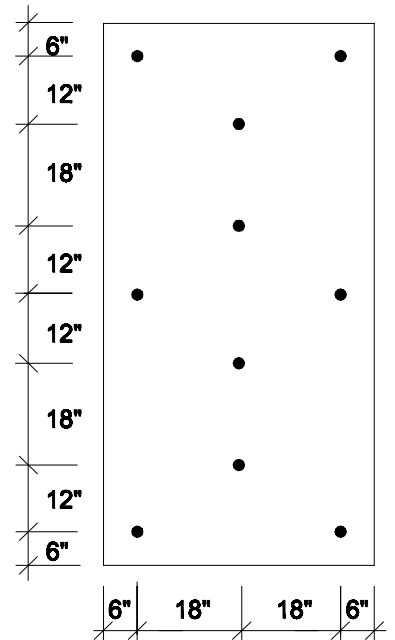
**10 FASTENERS PER  
4' x 8' BOARD**



**6 FASTENERS PER  
4' x 8' BOARD**



**8 FASTENERS PER  
4' x 8' BOARD**



**10 FASTENERS PER  
4' x 8' BOARD**

**NOTE:**

**REFERENCE SPECIFIC SYSTEM/INSULATION TYPE AND THICKNESS REQUIREMENTS**



**INSULATION FASTENING PATTERNS**

DRAWING #

**MA 117**

SCALE  
N.T.S.

ISSUE/ REVISION DATE  
1-01-07