

EverGuard®
New Construction With Wall Cap
MA/FA/BA 501

Diagram

Updated: 7/07



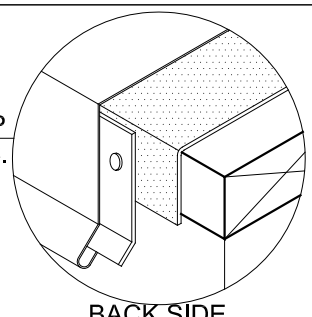
*Quality You Can Trust Since 1886...
From North America's Largest Roofing Manufacturer™*

INTERMITTENT
FASTENING KEY

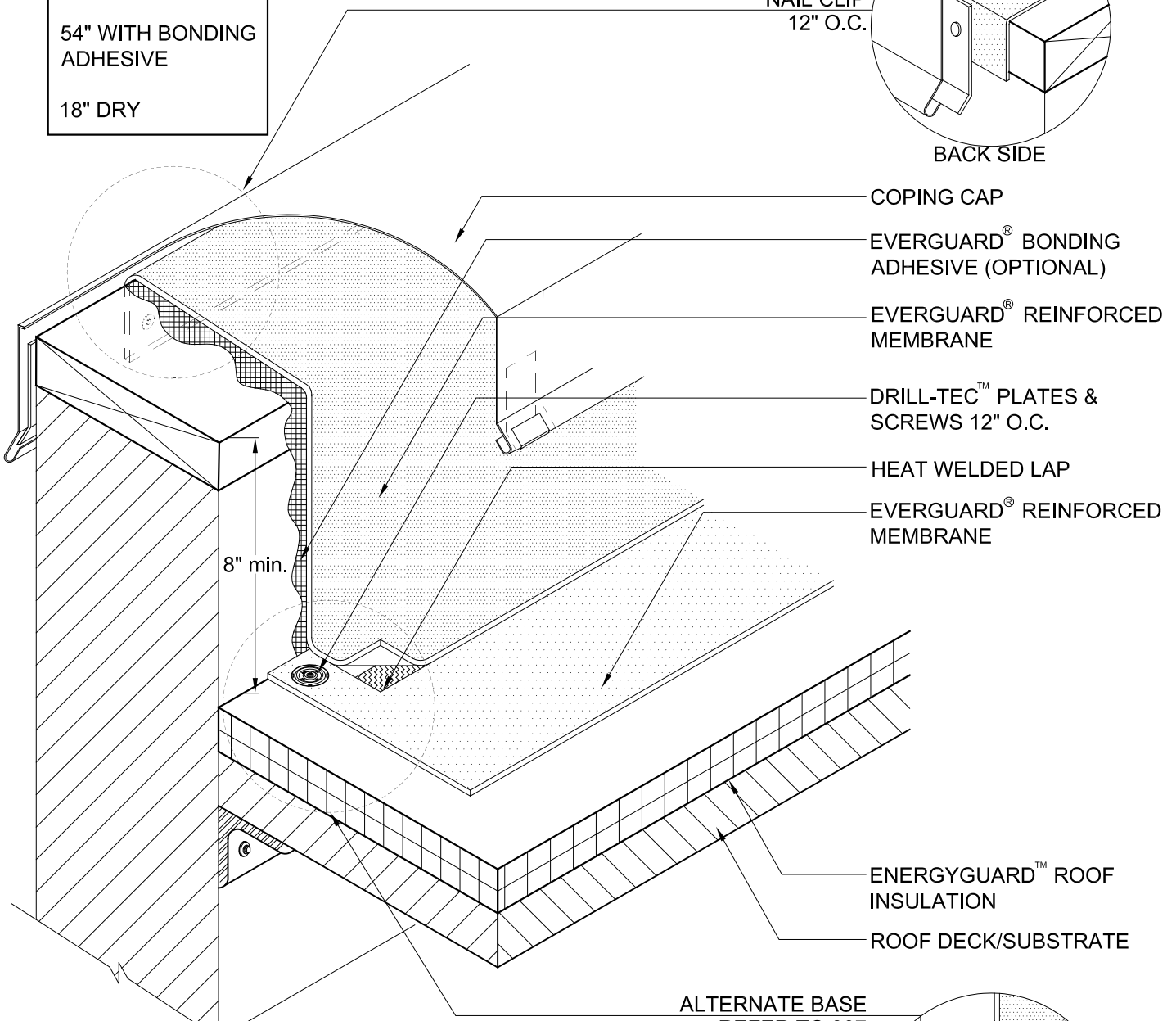
54" WITH BONDING
ADHESIVE

18" DRY

NAIL CLIP
12" O.C.



BACK SIDE



COPING CAP

EVERGUARD® BONDING
ADHESIVE (OPTIONAL)

EVERGUARD® REINFORCED
MEMBRANE

DRILL-TEC™ PLATES &
SCREWS 12" O.C.

HEAT WELDED LAP

EVERGUARD® REINFORCED
MEMBRANE

8" min.

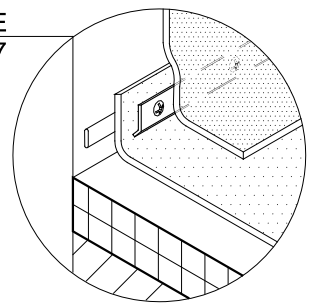
ENERGYGUARD™ ROOF
INSULATION

ROOF DECK/SUBSTRATE

ALTERNATE BASE
REFER TO 307

NOTE:

1. FOR INSULATION THICKNESS GREATER THAN 8", CONTACT GAFMC CONTRACTOR SERVICES FOR ALTERNATE MEMBRANE ATTACHMENT REQUIREMENTS. THESE METHODS MAY INCLUDE THE USE OF A HARD BOARD COVERING THE ASSEMBLY OR USE DETAIL MA/FA/BA 307.
2. PLATES & SCREWS 6" O.C. REQ'D FOR BA SYSTEMS.
3. APPLY EVERGUARD® TPO AND PVC CUT EDGE SEALANT TO ALL CUT REINFORCED TPO AND PVC EDGES (REFER TO DETAIL MA/FA/BA 115).



NEW CONSTRUCTION WITH WALL CAP

DRAWING #
MA/FA/BA 501

SCALE	ISSUE/ REVISION DATE
N.T.S.	7-01-07