

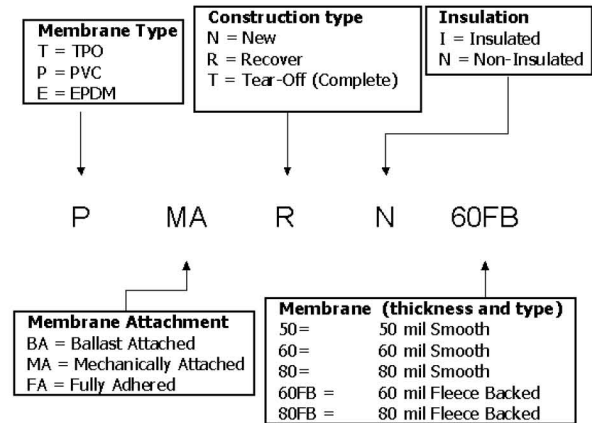
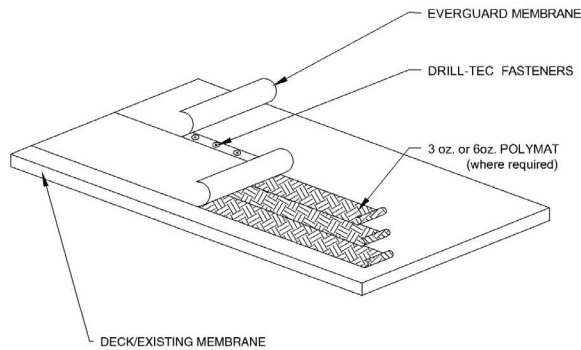
# Non-Insulated PVC Mechanically Attached Systems Specification Plate

## Specification



*Quality You Can Trust Since 1886...  
From North America's Largest Roofing Manufacturer™*

# NON-INSULATED PVC MECHANICALLY ATTACHED SYSTEMS SPECIFICATION PLATE



Specification Number	Attachment Type	Construction Type	Insulation	PVC Thickness	Guarantee Length Up To (Years)
P-MA-N-N-50	Mechanically Attached	New	No	.050	12
P-MA-N-N-60				.060	15
P-MA-N-N-80				.080	20
P-MA-T-N-50	Mechanically Attached	Tear Off	No	.050	12
P-MA-T-N-60				.060	15
P-MA-T-N-80				.080	20
P-MA-R-N-50	Mechanically Attached	Recover	No*	.050	12
P-MA-R-N-60				.060	15
P-MA-R-N-80				.080	20
P-MA-N-N-60FB	Mechanically Attached	New	No	.060 FB	15
P-MA-N-N-80FB				.080FB	20
P-MA-T-N-60FB	Mechanically Attached	Tear Off	No	.060 FB	15
P-MA-T-N-80FB				.080FB	20
P-MA-R-N-60FB	Mechanically Attached	Recover	No*	.060 FB	15
P-MA-R-N-80FB				.080FB	20

\*Separator Sheet required; 3/6 oz. polymat or FR 50/10.  
 Refer to Insulation Attachment and Membrane Attachment Tables for attachment requirements.  
 Mechanically attached system require the use of half sheets.