

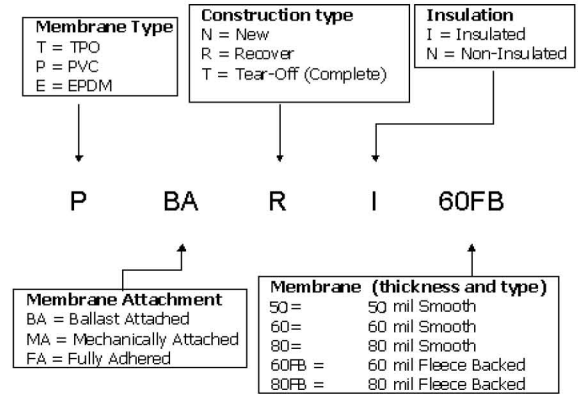
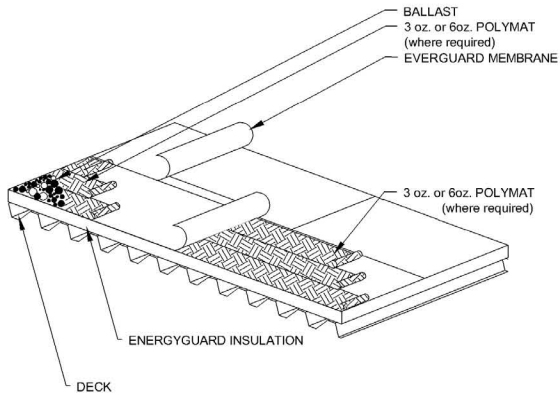
Insulated PVC Ballasted Systems Specification Plate

Specification



*Quality You Can Trust Since 1886...
From North America's Largest Roofing Manufacturer™*

Insulated PVC Ballasted Systems Specification Plate



Specification Number	Attachment Type	Construction Type	Insulation	PVC Thickness	Guarantee Length Up To (Years)
P-BA-N-I-50	Ballasted	New	Yes	.050	12
P-BA-N-I-60				.060	15
P-BA-N-I-80				.080	20
P-BA-T-I-50	Ballasted	Tear Off	Yes	.050	12
P-BA-T-I-60				.060	15
P-BA-T-I-80				.080	20
P-BA-R-I-50	Ballasted	Recover	Yes	.050	12
P-BA-R-I-60				.060	15
P-BA-R-I-80				.080	20
P-BA-N-I-60FB	Ballasted	New	Yes	.060 FB	15
P-BA-N-I-80FB				.080 FB	20
P-BA-T-I-60FB	Ballasted	Tear Off	Yes	.060 FB	15
P-BA-T-I-80FB				.080 FB	20
P-BA-R-I-60FB	Ballasted	Recover	Yes	.060 FB	15
P-BA-R-I-80FB				.080 FB	20