

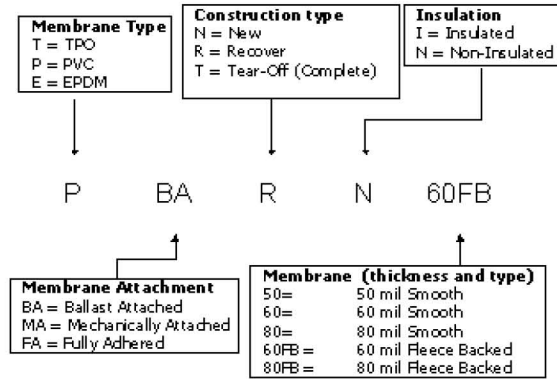
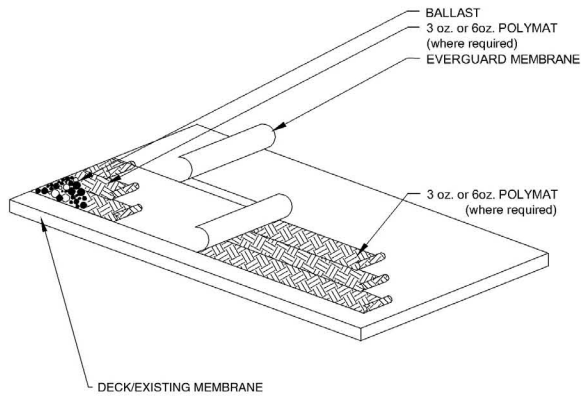
Non-Insulated PVC Ballasted Systems Specification Plate

Specification



*Quality You Can Trust Since 1886...
From North America's Largest Roofing Manufacturer™*

Non-Insulated PVC Ballasted Systems Specification Plate



Specification Number	Attachment Type	Construction Type	Insulation	PVC Thickness	Guarantee Length Up To (Years)
P-BA-N-N-50	Ballasted	New	No*	.050	12
P-BA-N-N-60				.060	15
P-BA-N-N-80				.080	20
P-BA-T-N-50	Ballasted	Tear Off	No*	.050	12
P-BA-T-N-60				.060	15
P-BA-T-N-80				.080	20
P-BA-R-N-50	Ballasted	Recover	No*	.050	12
P-BA-R-N-60				.060	15
P-BA-R-N-80				.080	20
P-BA-N-N-60FB	Ballasted	New	No*	.060 FB	15
P-BA-N-N-80FB				.080 FB	20
P-BA-T-N-60FB	Ballasted	Tear Off	No*	.060 FB	15
P-BA-T-N-80FB				.080 FB	20
P-BA-R-N-60FB	Ballasted	Recover	No*	.060 FB	15
P-BA-R-N-80FB				.080 FB	20

* Separator Sheet required; 3/6 oz polymat or FR 50/10