

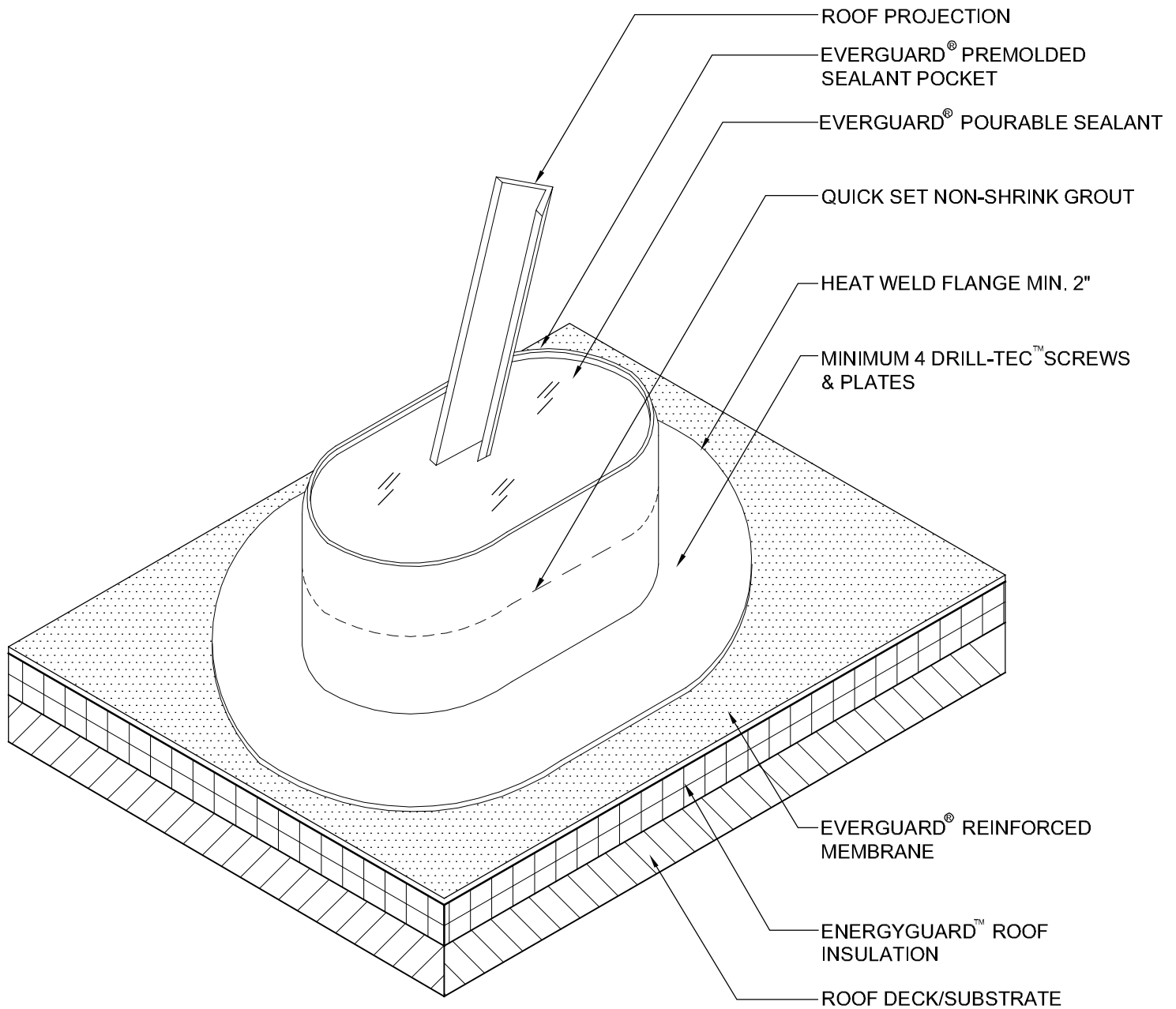
EverGuard®
Pourable Sealant Pocket
MA/FA/BA 525

Diagram

Updated: 4/09





*Quality You Can Trust Since 1886...
From North America's Largest Roofing Manufacturer™*



NOTE:

1. ALLOW 2" CLEARANCE AROUND THE PROJECTION. IF MULTIPLE PROJECTIONS, ALLOW 1" BETWEEN PROJECTION AND BOX.
2. THE EXISTING PROJECTION MUST BE CLEAN OF ALL DEBRIS BEFORE INSTALLATION.
3. PREFABRICATED POURABLE SEALANT POCKET MUST BE PRIMED WITH EVERGUARD® TPO PRIMER
4. IF SEALANT POCKET MUST BE CUT, STRIP IN CUT WITH UNREINFORCED TPO STRIP MIN 4" WIDE AND RUN OUT ONTO DECK SHEET MINIMUM 2".
5. IF PLATES AND FASTENERS ENCROACH INTO THE SEAM AREA OF THE POCKET, THEN A TARGET MUST BE ADDED FIRST TO COVER FASTENERS.

 GAF MATERIALS CORPORATION www.gaf.com	 SINGLE PLY ROOFING SYSTEMS	<h2>POURABLE SEALANT POCKET</h2>	DRAWING #	SYSTEM
			525	MA/FA/BA
ROOF PENETRATION SERIES			SCALE	ISSUE/ REVISION DATE
			N.T.S.	4-01-09