

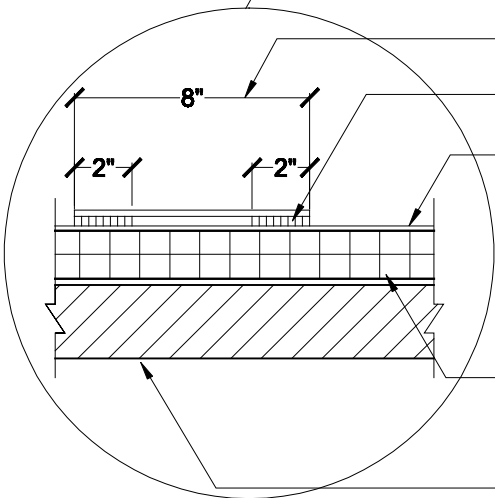
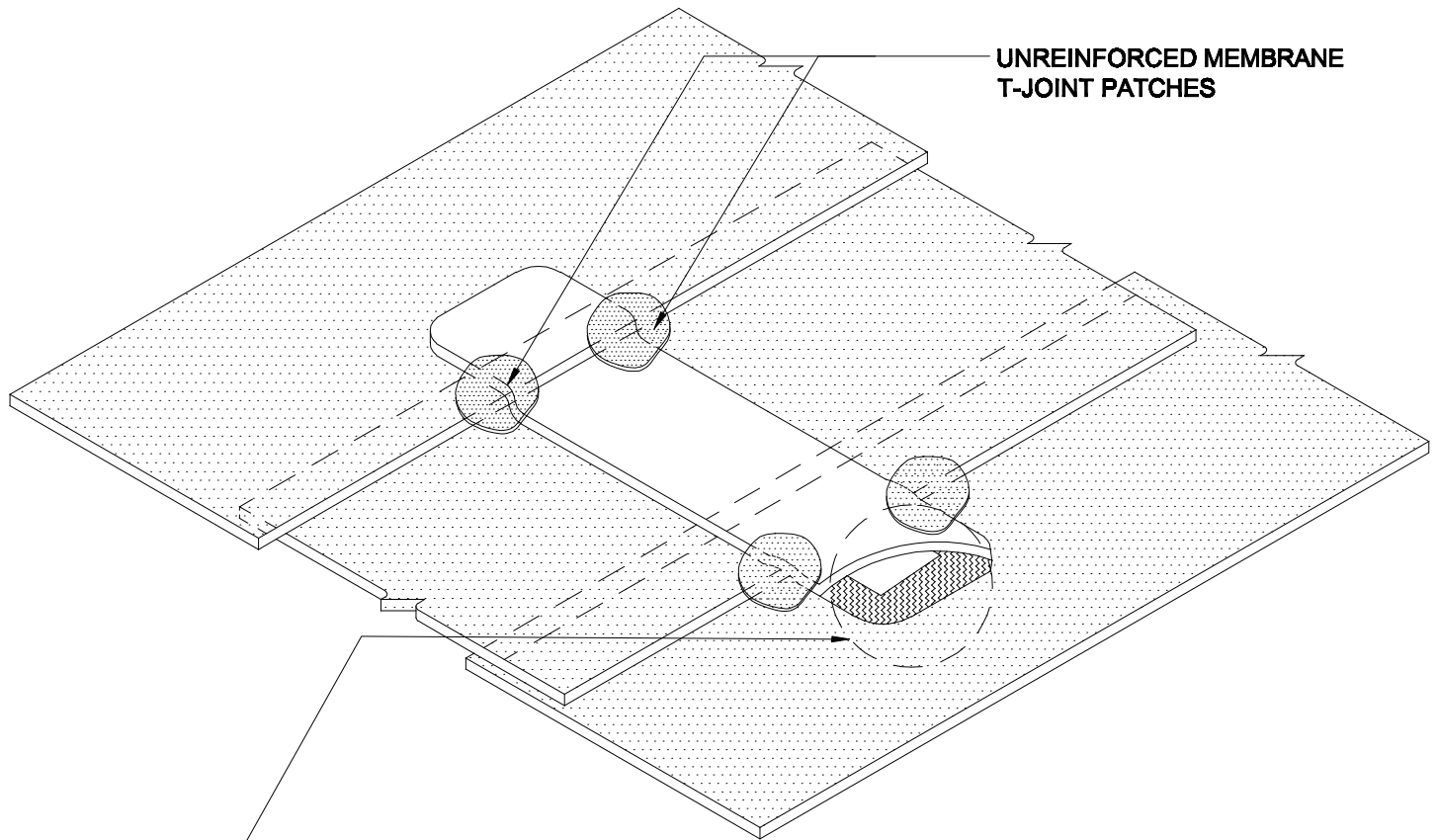
Freedom™
HW Cover Strip End Lap
FD 104

Diagram

Updated: 11/06



*Quality You Can Trust Since 1886...
From North America's Largest Roofing Manufacturer™*



EVERGUARD® 8" REINFORCED UTILITY MEMBRANE FLASHING

HEAT WELDED LAP

EVERGUARD® FREEDOM MEMBRANE SHEET

ENERGYGUARD™ ROOF INSULATION

ROOF DECK/SUBSTRATE

NOTE:

1. FOR INSULATION THICKNESS GREATER THAN 8" CONTACT GAF CONTRACTOR SERVICES FOR ALTERNATE ATTACHMENT REQUIREMENTS.
2. FOR HEAT WELDING LAPS USE 1 1/2" WELD WITH MACHINE ROBOT WELDER AND 2" WELD WITH HAND WELDER.
3. APPLY EVERGUARD® TPO CUT EDGE SEALANT TO ALL CUT REINFORCED TPO EDGES (REFER TO DETAIL FD 115).



HW COVER STRIP END LAP

FREEDOM HW ONLY

DRAWING #
FD 104

SCALE
N.T.S.

ISSUE/ REVISION DATE
11-01-06