

Freedom™
TPO Membrane
Self Adhering Curb Flashing
FD 701

Diagram

Updated: 10/06

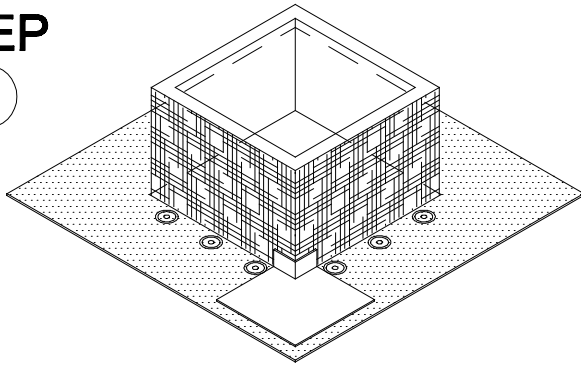


*Quality You Can Trust Since 1886...
From North America's Largest Roofing Manufacturer™*

RS MAX 10 YR WARRANTY

STEP

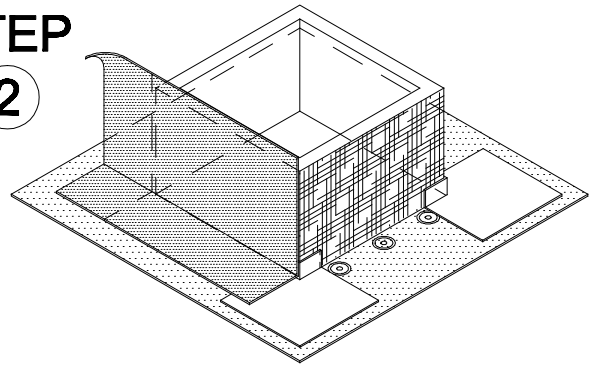
1



INSTALL ACCEPTABLE SECUREMENT AT BASE OF CURB. PRIME VERTICAL SUBSTRATE WITH EVERGUARD®TPO PRIMER AT A RATE OF 200SF/GALLON. INSTALL FREEDOM TPO SELF ADHERING PRE-MOLDED OUTSIDE CORNERS TO EACH CURB CORNER.

STEP

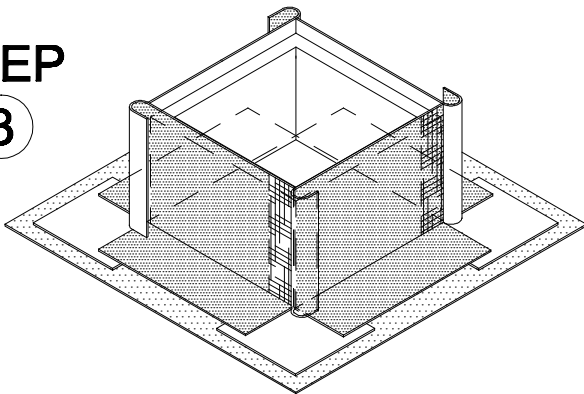
2



CUT FREEDOM TPO SELF ADHERING MEMBRANE INTO FOUR OVERLAPPING PANELS TO FIT THE CURB HEIGHT INCLUDING DECK FLANGE + 6" AND EACH CURB SIDE PROJECTION + 6". STARTING WITH THE DOWN SLOPE CORNER OF CURB, LOCATE THE CURB CORNER, CUT THE DECK FLANGE, & TURN MEMBRANE AROUND CORNER WITHOUT DISTORTING THE PANEL. CONTINUE AROUND THE CURB, FITTING EACH CONSECUTIVE PANEL TIGHTLY TO ALL ANGLE CHANGES.

STEP

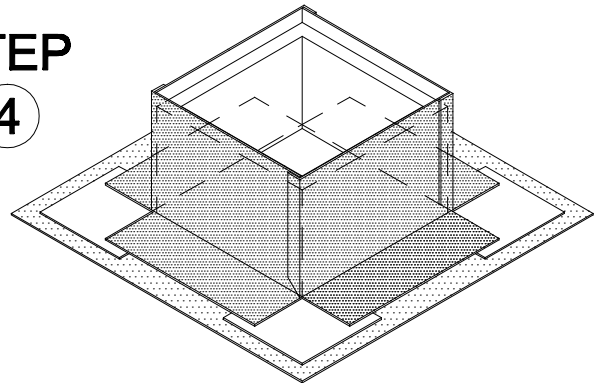
3



ONCE ALL FOUR FREEDOM TPO SELF ADHERING MEMBRANE PANELS HAVE BEEN WRAPPED AROUND THE CURB, PRIME TOP OF EACH MEMBRANE PANEL WHERE 6" FLAP WILL OVERLAP PANEL.

STEP

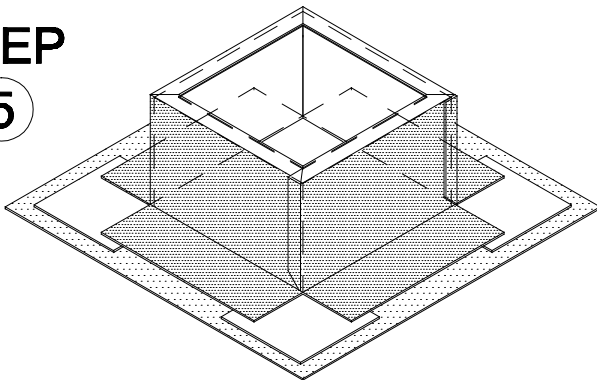
4



CUT EACH MEMBRANE FLAP BOTTOM AT A 45 DEGREE ANGLE. AFTER THE PRIMER HAS BEEN ALLOWED TO FLASH-OFF, WRAP THE MEMBRANE FLAP OF EACH PANEL AROUND THE CORNER AND ROLL INTO PLACE.

STEP

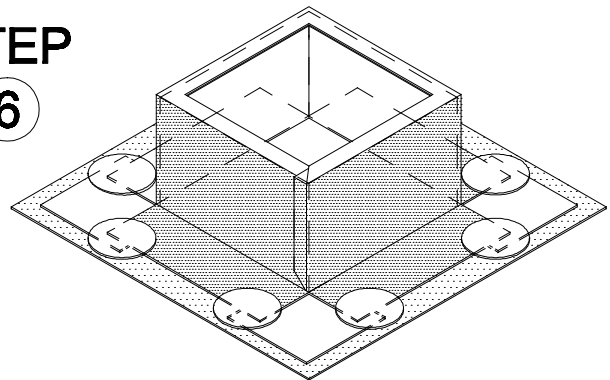
5



AFTER ADHERING THE BASE FLASHING FLANGES AND ROLLING FIRMLY TO THE DECK MEMBRANE AND PRE-MOLDED OUTSIDE CORNERS, NEATLY CREASE THE CORNERS OF THE MEMBRANE FLASHING AND FOLD THE EXCESS ONTO THE CURB TOP AND FASTEN IN PLACE.

STEP

6



PRIME ALL T-JOINTS FORMED BY THE OVERLAP OF THE CURB FLASHING AND PRE-MOLDED CORNERS WITH EVERGUARD TPO PRIMER AND ALLOW TO FLASH OFF. APPLY 4-1/2" ROUND EVERGUARD TPO MEMBRANE T-JOINT PATCHES TO THE PRIMED SURFACE CENTERED OVER EACH T-JOINT AND ROLL INTO PLACE. FINALLY, APPLY EVERGUARD CAULK TO ALL EDGES OF THE T-JOINT PATCHES, EXTENDING 6" BEYOND ALL LAPS AND JOINTS IN ALL DIRECTIONS. EVERGUARD CUT EDGE SEALANT IS APPLIED AT ALL CUT EDGES OF FREEDOM MEMBRANE.



FREEDOM TPO MEMBRANE SELF ADHERING CURB FLASHING

FREEDOM RS ONLY

DRAWING #

FD 701

SCALE

N.T.S.

ISSUE/ REVISION DATE

10-01-06