

# Perimeter Gutter Detail MB/BUR 28

Diagram

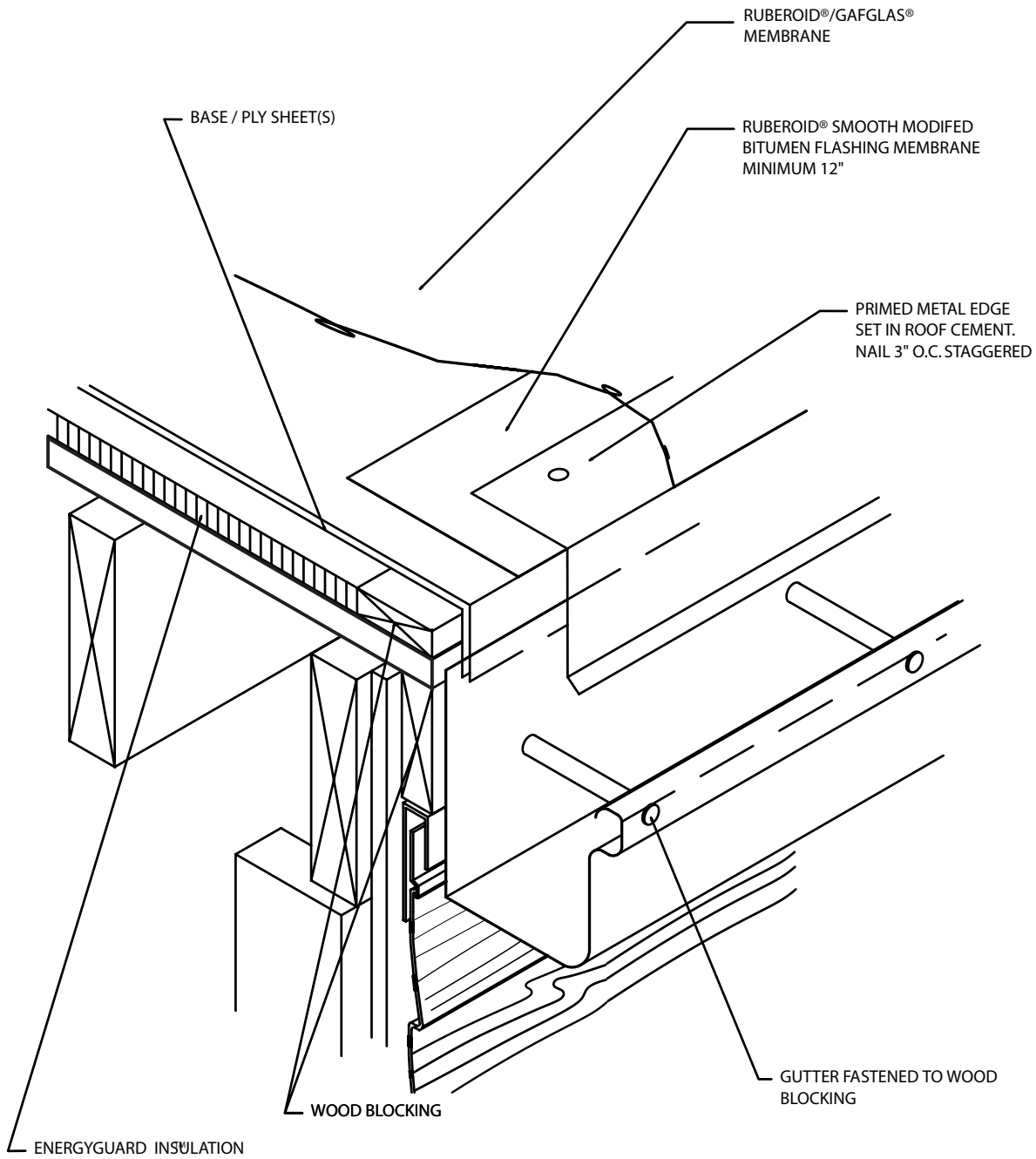


*Quality You Can Trust Since 1886...  
From North America's Largest Roofing Manufacturer™*

# MB 28/BUR 28 – PERIMETER GUTTER DETAIL



Flashing Details



## NOTES:

1. BASE/PLY SHEET(S) TURNED OVER EDGE A MINIMUM OF 1 1/2" (38mm) OR THICKNESS OF NAILER WHICHEVER IS GREATER
2. FOR DRAINAGE OVER EDGE, USE METAL WITHOUT GRAVEL STOP LIP