

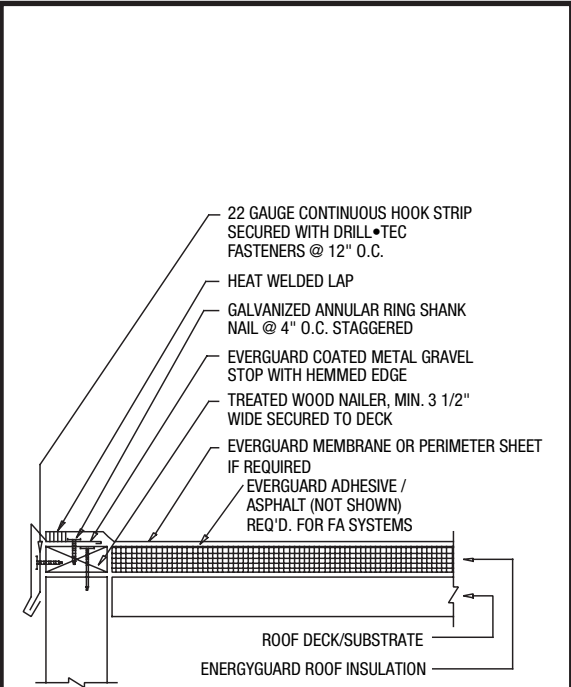
# EverGuard® Roofing Details

## Diagrams



*Quality You Can Trust Since 1886...  
From North America's Largest Roofing Manufacturer™*

**COATED METAL ROOF EDGE**

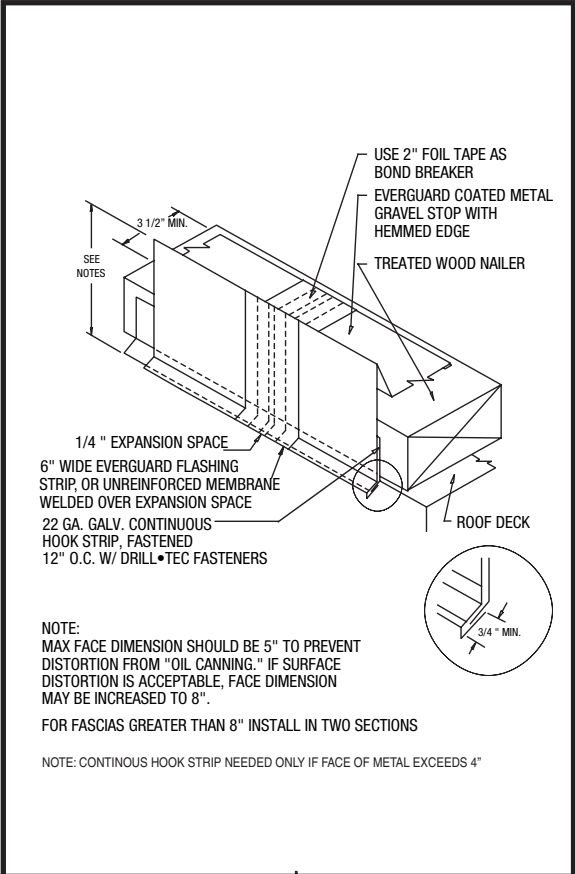


NOTE: CONTINUOUS HOOK STRIP NEEDED ONLY IF FACE OF METAL EXCEEDS 4"

GAF EVERGUARD®	SYSTEM: MA/FA/BA
DATE: 10/19/04	DRAWING NUMBER: MA 202, FA 201, BA 201

**Roofing Details**  
 TPO & PVC

**COATED METAL JOINT DETAIL**



NOTE:  
 MAX FACE DIMENSION SHOULD BE 5" TO PREVENT  
 DISTORTION FROM "OIL CANNING." IF SURFACE  
 DISTORTION IS ACCEPTABLE, FACE DIMENSION  
 MAY BE INCREASED TO 8".

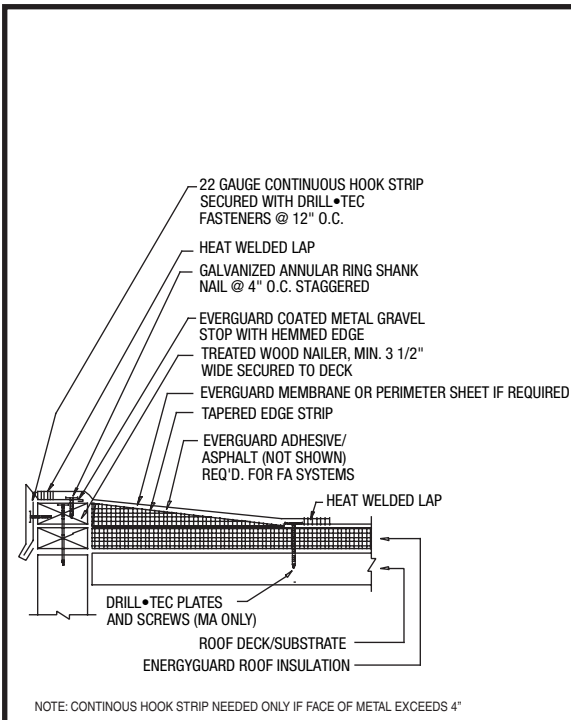
FOR FASCIAS GREATER THAN 8" INSTALL IN TWO SECTIONS

NOTE: CONTINUOUS HOOK STRIP NEEDED ONLY IF FACE OF METAL EXCEEDS 4"

GAF EVERGUARD®	SYSTEM: ALL
DATE: 10/19/04	DRAWING NUMBER: MA 204, FA 204, BA 309, TRI 204

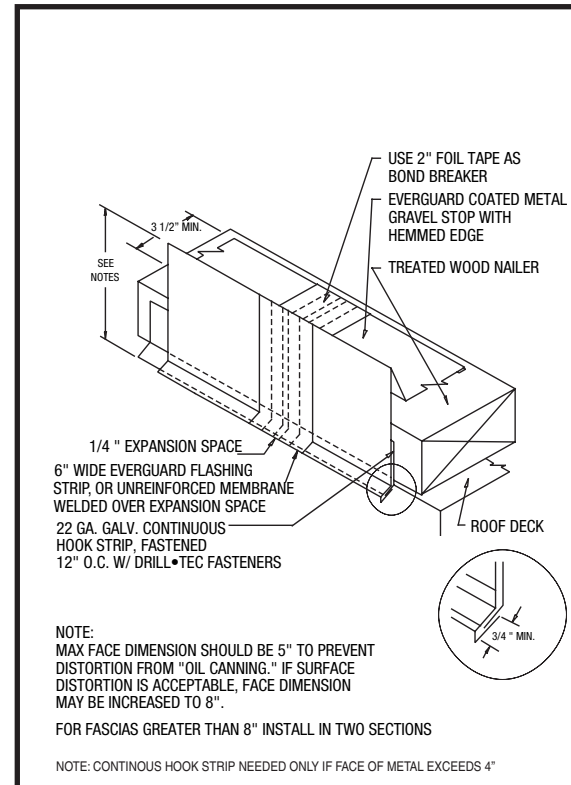
**Roofing Details**  
 TPO & PVC

### COATED METAL TAPERED EDGE



GAF EVERGUARD®	SYSTEM: MA/FA/BA
DATE: 10/19/04	DRAWING NUMBER: MA 203, FA 203, BA 203

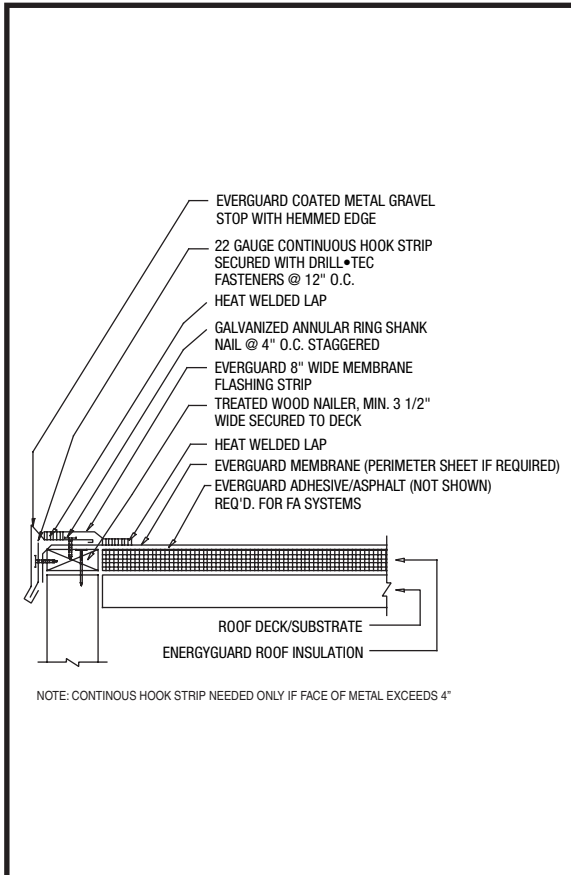
### COATED METAL JOINT DETAIL



GAF EVERGUARD®	SYSTEM: ALL
DATE: 10/19/04	DRAWING NUMBER: MA 204, FA 204, BA 309, TRI 204

Roofing Details  
TPO & PVC

## COATED METAL ROOF EDGE



GAF EVERGUARD®

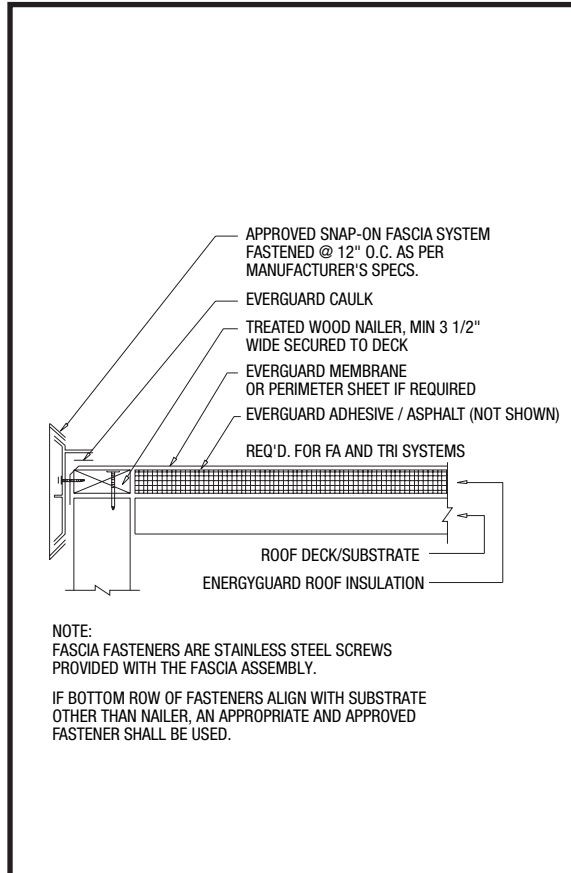
SYSTEM: MA/FA/TRI

DATE: 10/19/04

DRAWING NUMBER:  
MA 202, FA 202, TRI 202

**Roofing Details**  
TPO & PVC

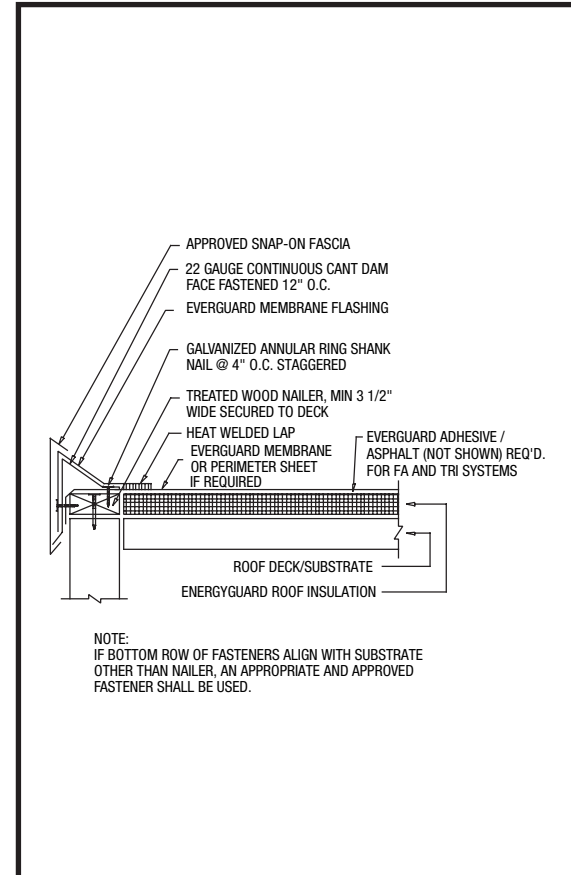
### SNAP-ON FASCIA ROOF EDGE



NOTE:  
FASCIA FASTENERS ARE STAINLESS STEEL SCREWS PROVIDED WITH THE FASCIA ASSEMBLY.  
IF BOTTOM ROW OF FASTENERS ALIGN WITH SUBSTRATE OTHER THAN NAILER, AN APPROPRIATE AND APPROVED FASTENER SHALL BE USED.

GAF EVERGUARD®	SYSTEM: MA/FA/BA/CA
DATE: 10/19/04	DRAWING NUMBER: MA 205, FA 205, BA 205, TRI 205

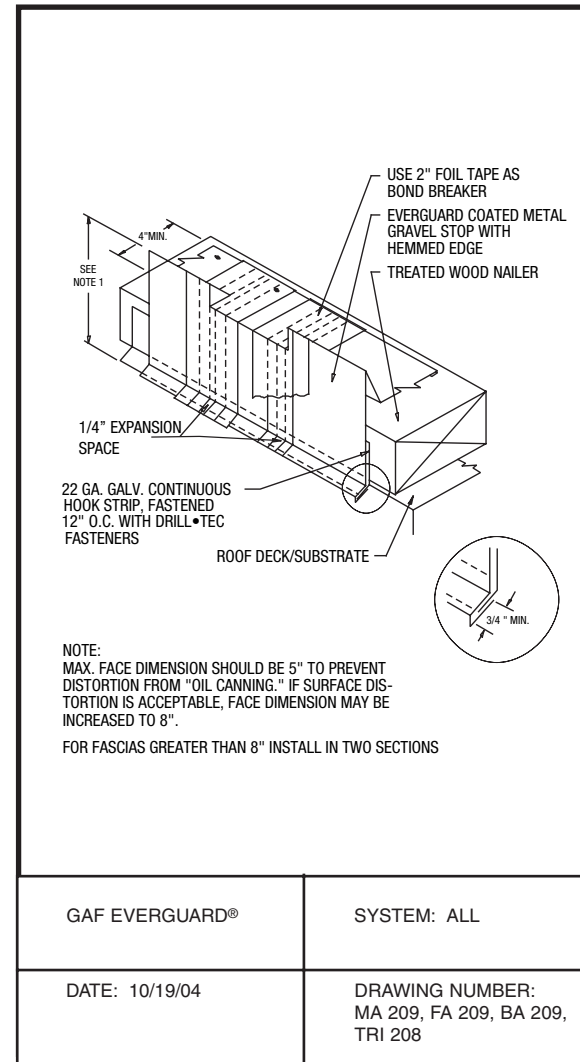
### SNAP-ON FASCIA ROOF EDGE



NOTE:  
IF BOTTOM ROW OF FASTENERS ALIGN WITH SUBSTRATE OTHER THAN NAILER, AN APPROPRIATE AND APPROVED FASTENER SHALL BE USED.

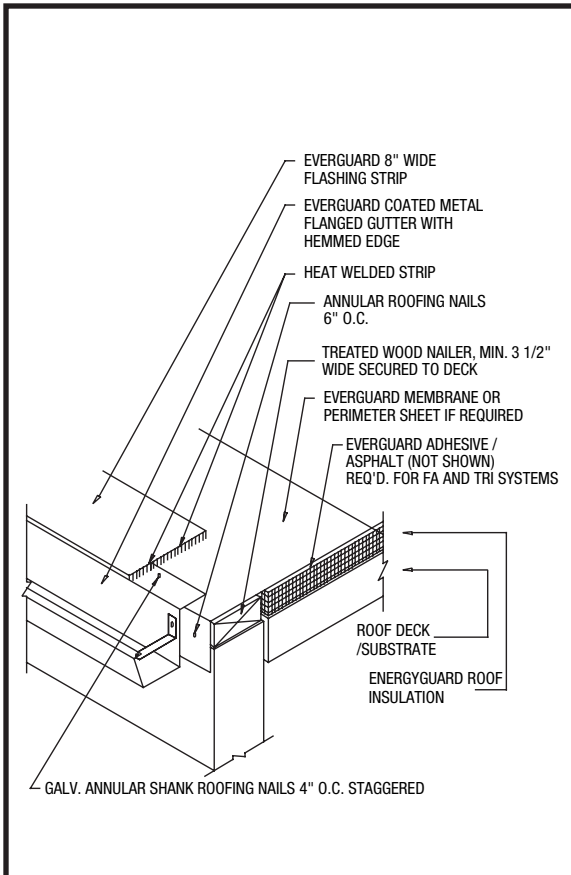
GAF EVERGUARD®	SYSTEM: MA/FA/BA/TRI
DATE: 10/19/04	DRAWING NUMBER: MA 206, FA 206, BA 206, TRI 206

**COATED METAL EDGE SCUPPER**



**Roofing Details**  
TPO & PVC

## COATED METAL FLANGED GUTTER



GAF EVERGUARD®

SYSTEM: MA/FA/TRI

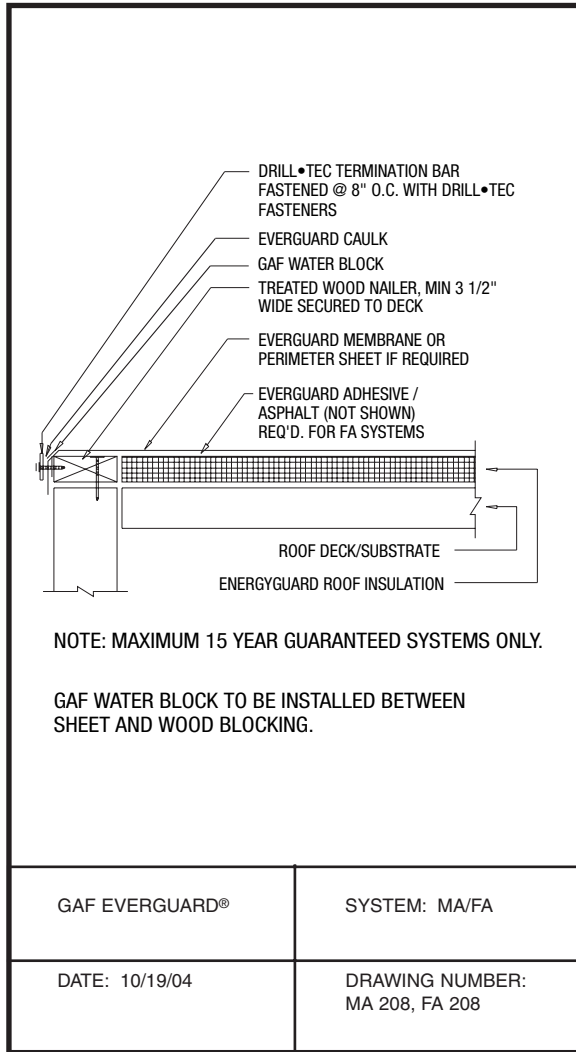
DATE: 10/19/04

DRAWING NUMBER:  
MA 210, FA 210, TRI 209

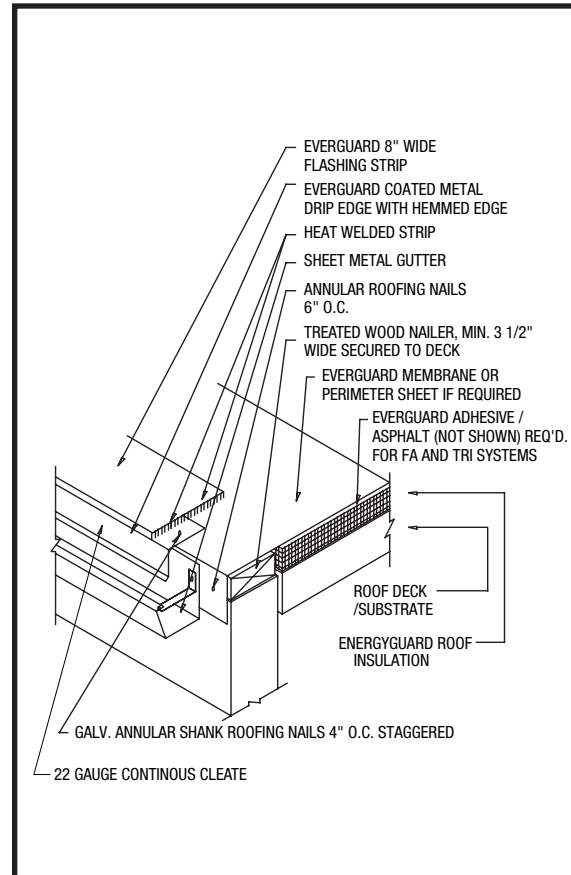
**Roofing Details**  
 TPO & PVC



## TERMINATION BAR ROOF EDGE



## GUTTER WITH COATED METAL EDGE



GAF EVERGUARD®	SYSTEM: MA/FA/TRI
DATE: 10/19/04	DRAWING NUMBER: MA 211, FA 211, TRI 210

# Roofing Details

TPO & PVC

## GUTTER WITH TERMINATION BAR

