

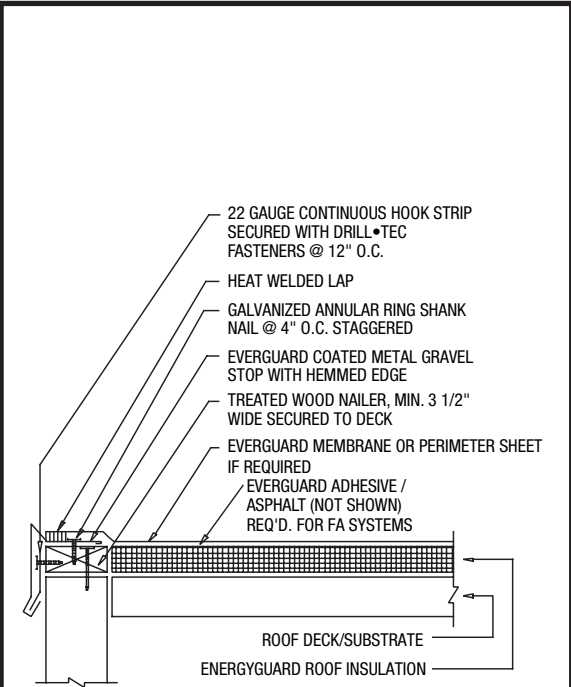
EverGuard® Fully Adhered Systems Construction Details

Diagrams



*Quality You Can Trust Since 1886...
From North America's Largest Roofing Manufacturer™*

COATED METAL ROOF EDGE

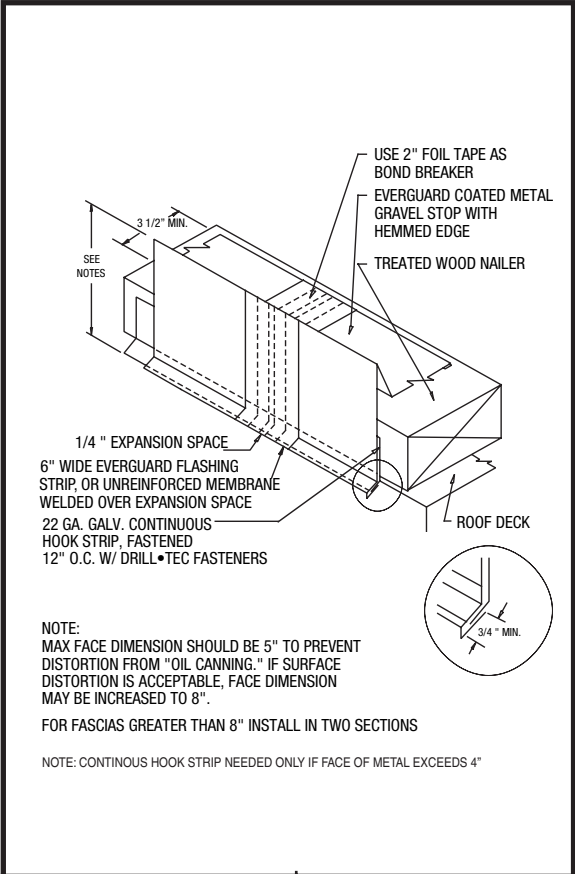


NOTE: CONTINUOUS HOOK STRIP NEEDED ONLY IF FACE OF METAL EXCEEDS 4"

| | |
|----------------|---|
| GAF EVERGUARD® | SYSTEM: MA/FA/BA |
| DATE: 10/19/04 | DRAWING NUMBER: MA 202, FA 201, BA 201 |

Roofing Details
 TPO & PVC

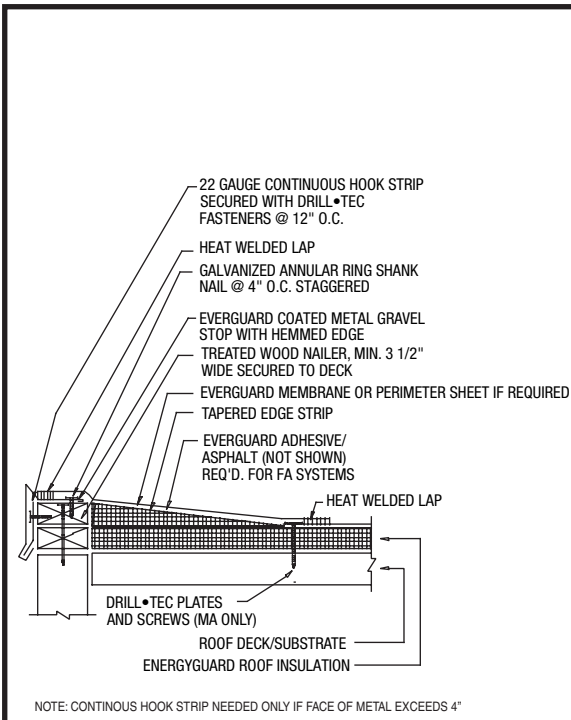
COATED METAL JOINT DETAIL



| | |
|----------------|---|
| GAF EVERGUARD® | SYSTEM: ALL |
| DATE: 10/19/04 | DRAWING NUMBER: MA 204, FA 204, BA 309, TRI 204 |

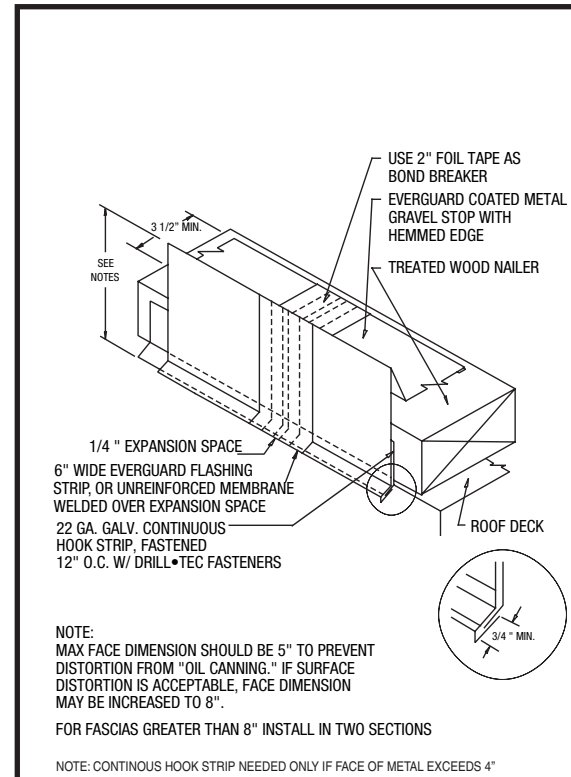
Roofing Details
 TPO & PVC

COATED METAL TAPERED EDGE



| | |
|----------------|---|
| GAF EVERGUARD® | SYSTEM: MA/FA/BA |
| DATE: 10/19/04 | DRAWING NUMBER: MA 203, FA 203, BA 203 |

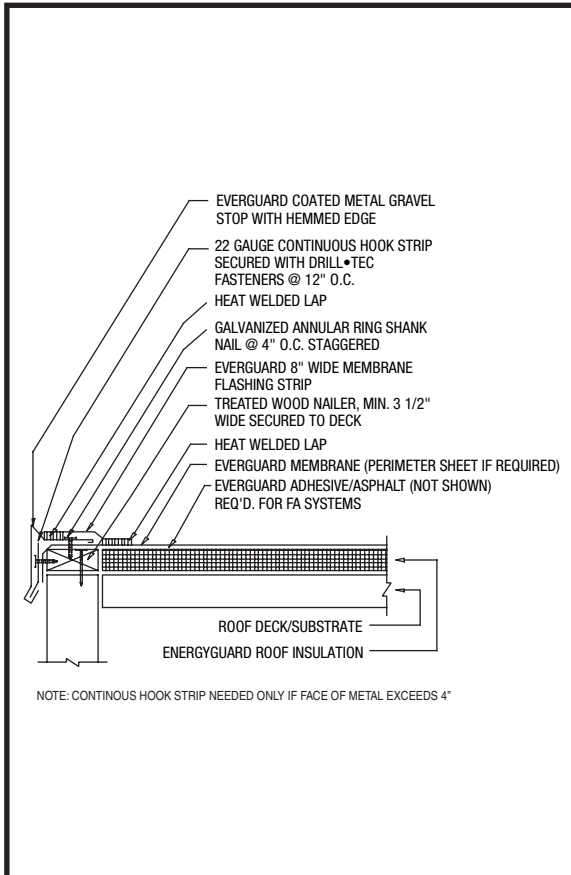
COATED METAL JOINT DETAIL



| | |
|----------------|---|
| GAF EVERGUARD® | SYSTEM: ALL |
| DATE: 10/19/04 | DRAWING NUMBER: MA 204, FA 204, BA 309, TRI 204 |

Roofing Details
TPO & PVC

COATED METAL ROOF EDGE



GAF EVERGUARD®

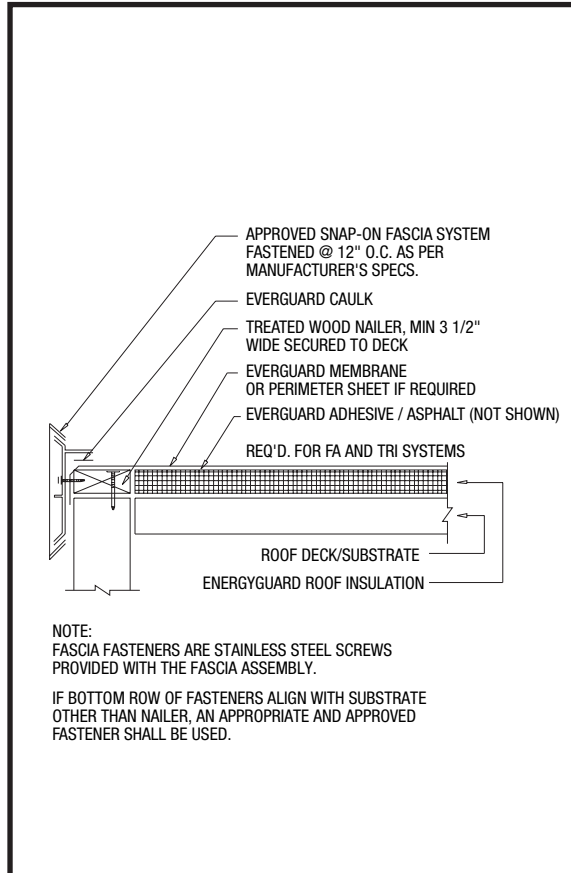
SYSTEM: MA/FA/TRI

DATE: 10/19/04

DRAWING NUMBER:
MA 202, FA 202, TRI 202

Roofing Details
TPO & PVC

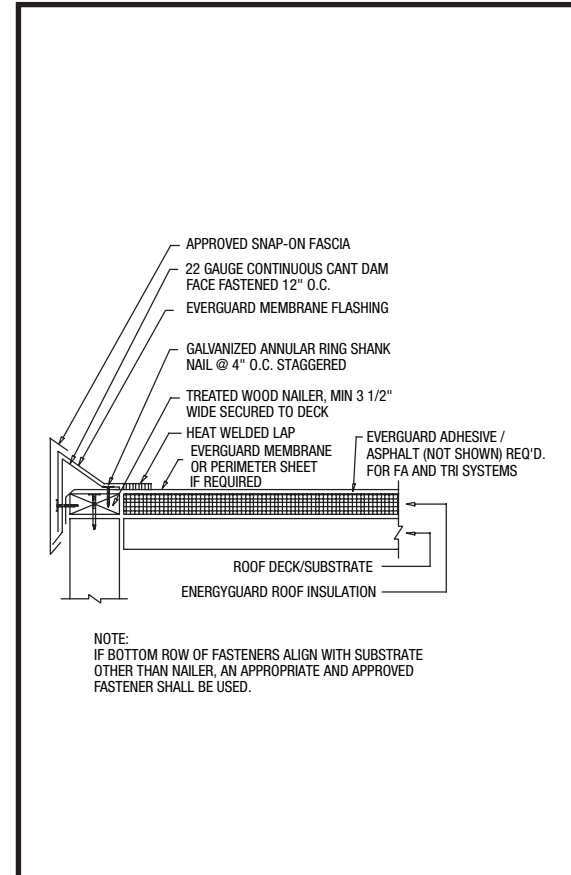
SNAP-ON FASCIA ROOF EDGE



NOTE:
FASCIA FASTENERS ARE STAINLESS STEEL SCREWS PROVIDED WITH THE FASCIA ASSEMBLY.
IF BOTTOM ROW OF FASTENERS ALIGN WITH SUBSTRATE OTHER THAN NAILER, AN APPROPRIATE AND APPROVED FASTENER SHALL BE USED.

| | |
|----------------|---|
| GAF EVERGUARD® | SYSTEM: MA/FA/BA/CA |
| DATE: 10/19/04 | DRAWING NUMBER: MA 205, FA 205, BA 205, TRI 205 |

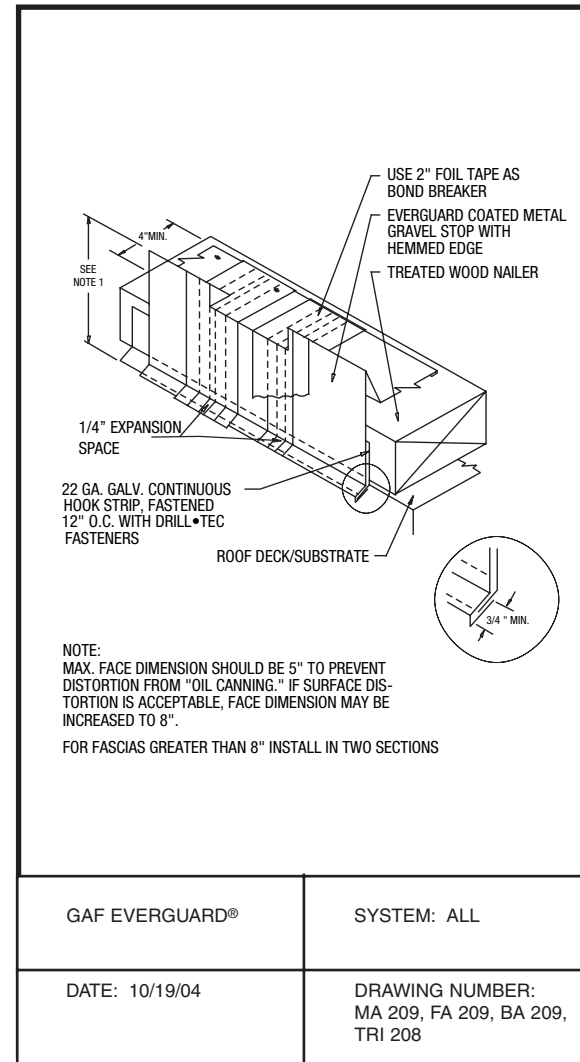
SNAP-ON FASCIA ROOF EDGE



NOTE:
IF BOTTOM ROW OF FASTENERS ALIGN WITH SUBSTRATE OTHER THAN NAILER, AN APPROPRIATE AND APPROVED FASTENER SHALL BE USED.

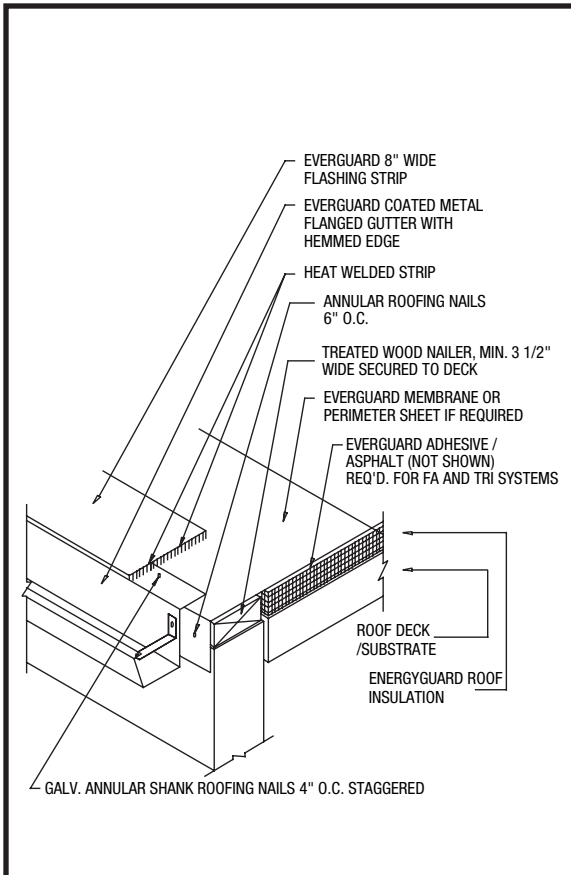
| | |
|----------------|---|
| GAF EVERGUARD® | SYSTEM: MA/FA/BA/TRI |
| DATE: 10/19/04 | DRAWING NUMBER: MA 206, FA 206, BA 206, TRI 206 |

COATED METAL EDGE SCUPPER



Roofing Details
 TPO & PVC

COATED METAL FLANGED GUTTER



GAF EVERGUARD®

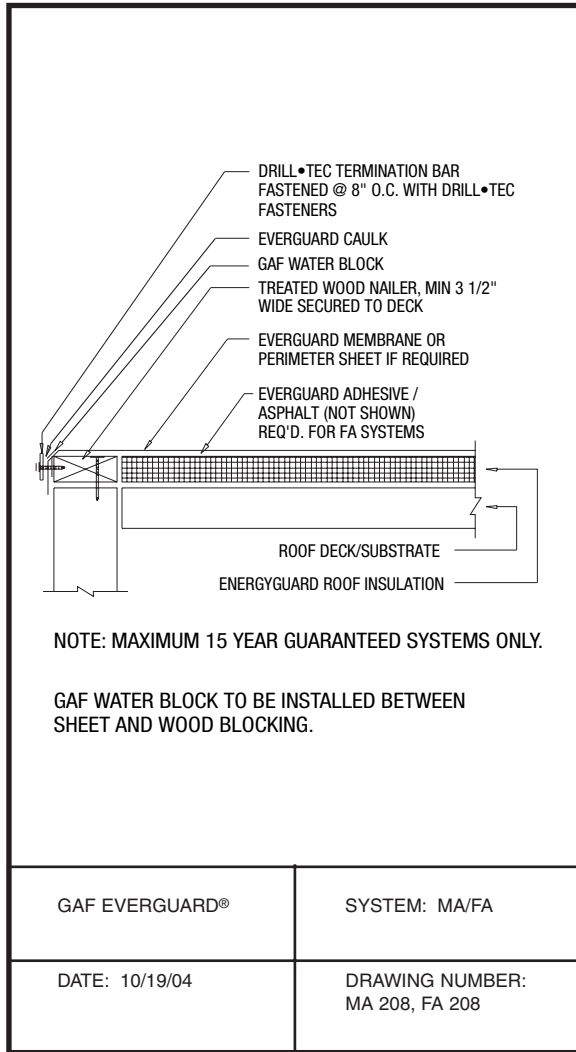
SYSTEM: MA/FA/TRI

DATE: 10/19/04

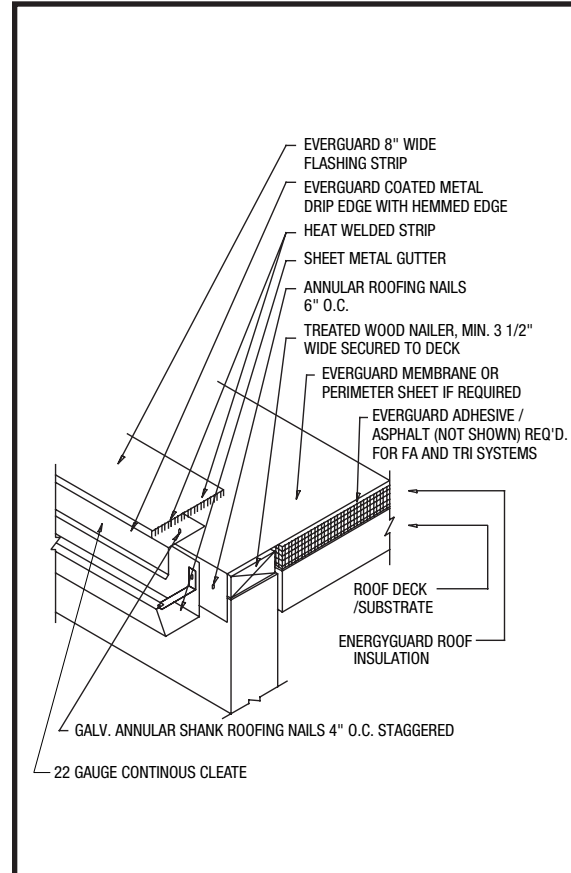
DRAWING NUMBER:
MA 210, FA 210, TRI 209

Roofing Details
TPO & PVC

TERMINATION BAR ROOF EDGE



GUTTER WITH COATED METAL EDGE



| | |
|----------------|--|
| GAF EVERGUARD® | SYSTEM: MA/FA/TRI |
| DATE: 10/19/04 | DRAWING NUMBER: MA 211, FA 211, TRI 210 |

Roofing Details

TPO & PVC

GUTTER WITH TERMINATION BAR

