

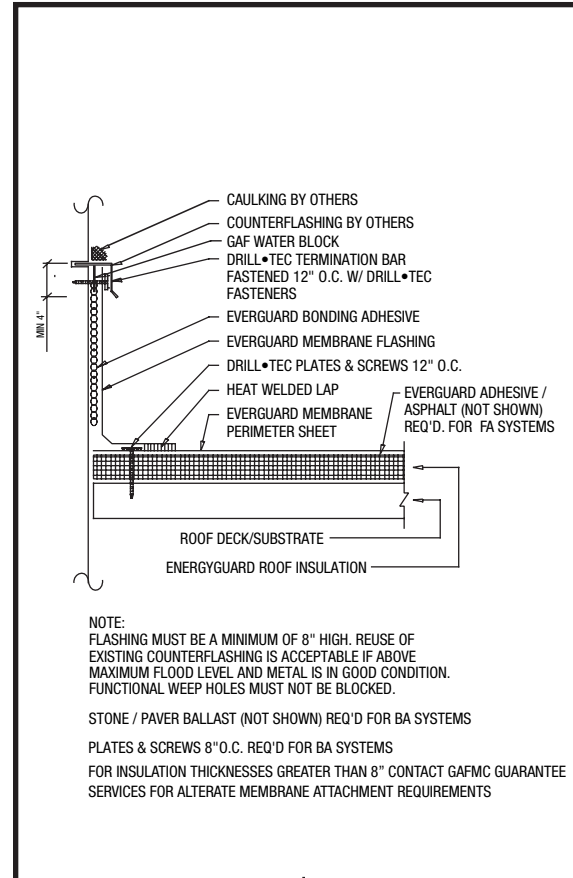
# EverGuard® Fully Adhered Systems Construction Details

## Diagrams



*Quality You Can Trust Since 1886...  
From North America's Largest Roofing Manufacturer™*

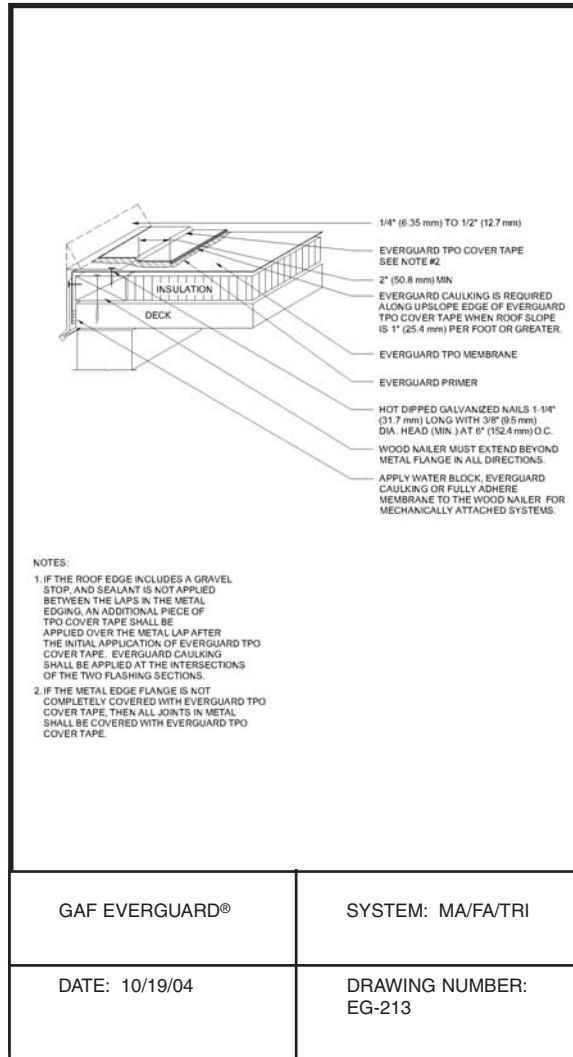
**WALL FLASHING WITH COUNTERFLASHING**



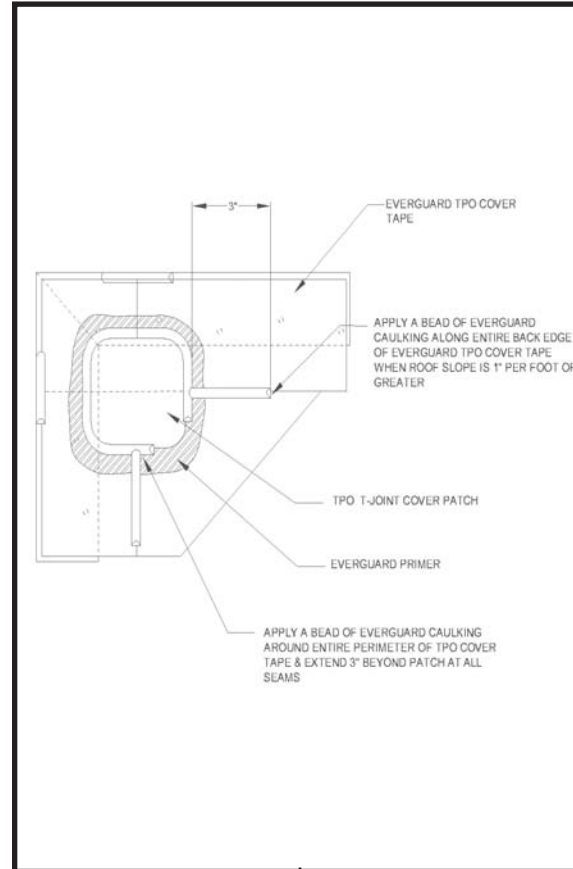
GAF EVERGUARD®	SYSTEM: MA/FA/BA
DATE: 10/19/04	DRAWING NUMBER: MA 301, FA 301, BA 301

**Roofing Details**  
 TPO & PVC

## ROOF EDGE WITH TPO COVER TAPE



**T-JOINT AT EDGE CORNER**



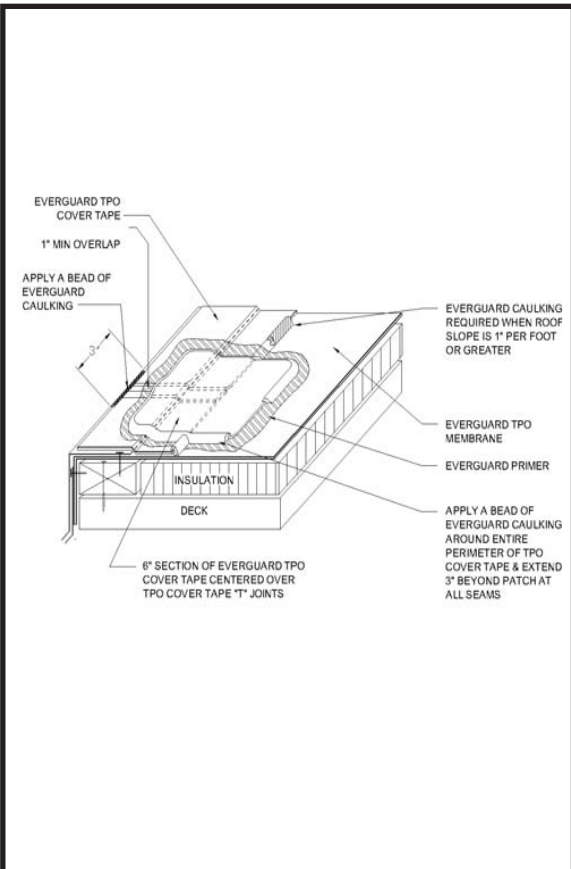
GAF EVERGUARD®

SYSTEM: MA/FA/TRI

DATE: 10/19/04

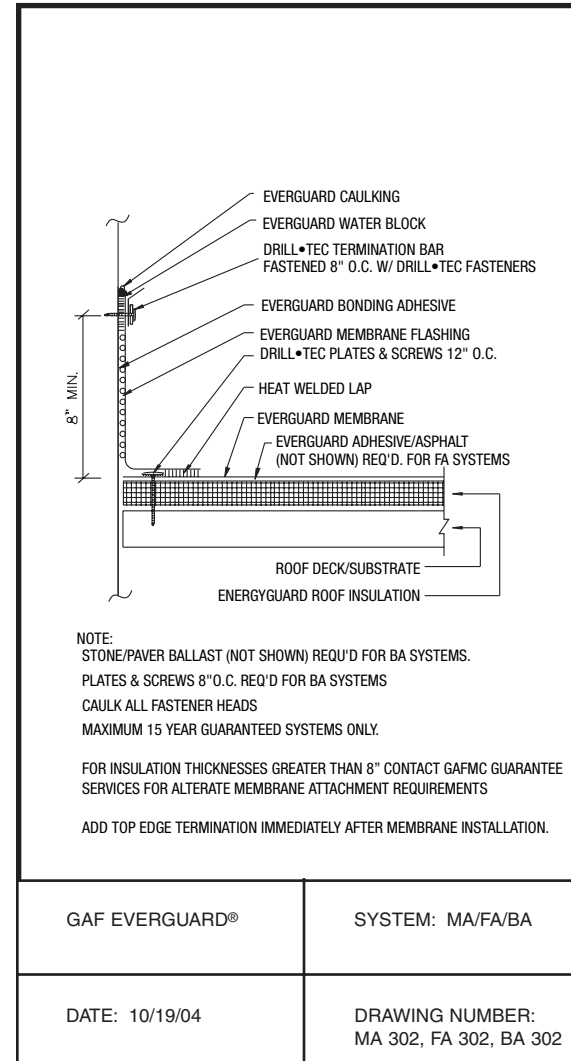
DRAWING NUMBER:  
EG-216

**TPO COVER TAPE OVERLAP AT  
ROOF EDGE**



GAF EVERGUARD®	SYSTEM: MA/FA/TRI
DATE: 10/19/04	DRAWING NUMBER: EG-215

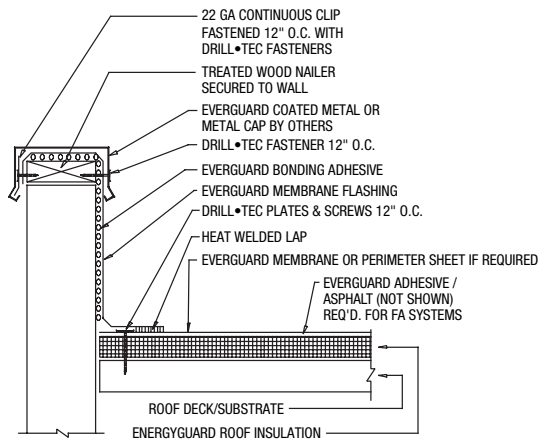
## WALL FLASHING WITH TERMINATION BAR



Roofing Details

TPO & PVC

## WALL FLASHING WITH COPING



NOTE:  
PLATES & SCREWS 8" O.C. REQ'D FOR BA SYSTEMS

FOR INSULATION THICKNESSES GREATER THAN 8" CONTACT GAFMC GUARANTEE  
SERVICES FOR ALTERATE MEMBRANE ATTACHMENT REQUIREMENTS

GAF EVERGUARD®

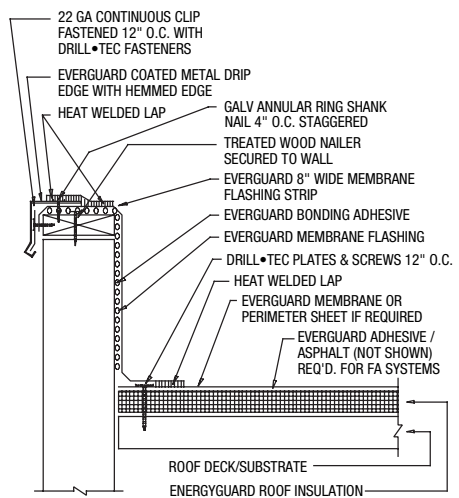
SYSTEM: MA/FA/BA

DATE: 10/19/04

DRAWING NUMBER:  
MA 303, FA 303, BA 303

**Roofing Details**  
 TPO & PVC

## WALL FLASHING WITH COATED METAL EDGE



NOTE:  
STONE / PAVER BALLAST (NOT SHOWN) REQ'D FOR BA SYSTEMS  
PLATES & SCREWS 8" O.C. REQ'D FOR BA SYSTEMS

FOR INSULATION THICKNESSES GREATER THAN 8" CONTACT GAFMC GUARANTEE  
SERVICES FOR ALTERATE MEMBRANE ATTACHMENT REQUIREMENTS

NOTE: CONTINUOUS HOOK STRIP NEEDED ONLY IF FACE OF METAL EXCEEDS 4"

GAF EVERGUARD®

SYSTEM: MA/FA/BA

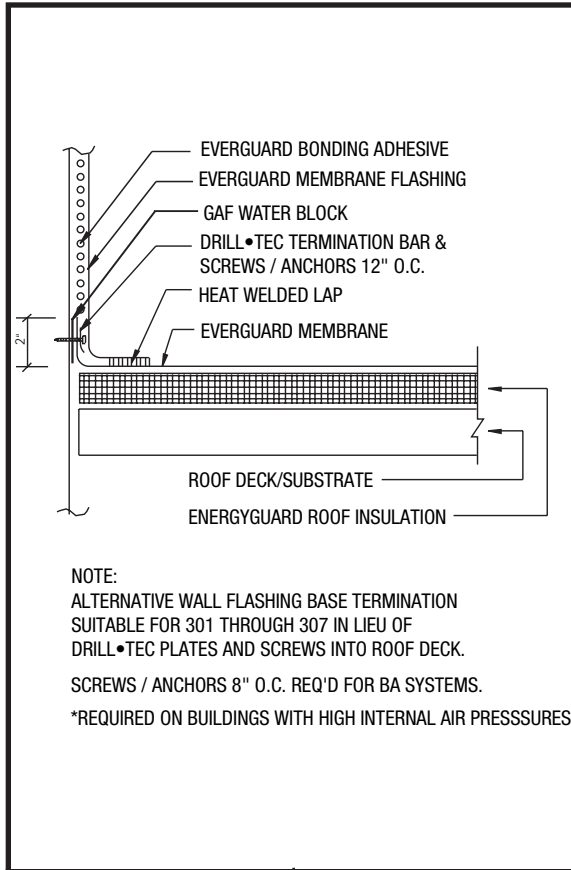
DATE: 10/19/04

DRAWING NUMBER:  
MA 304, FA 304, BA 304

Roofing Details  
TPO & PVC

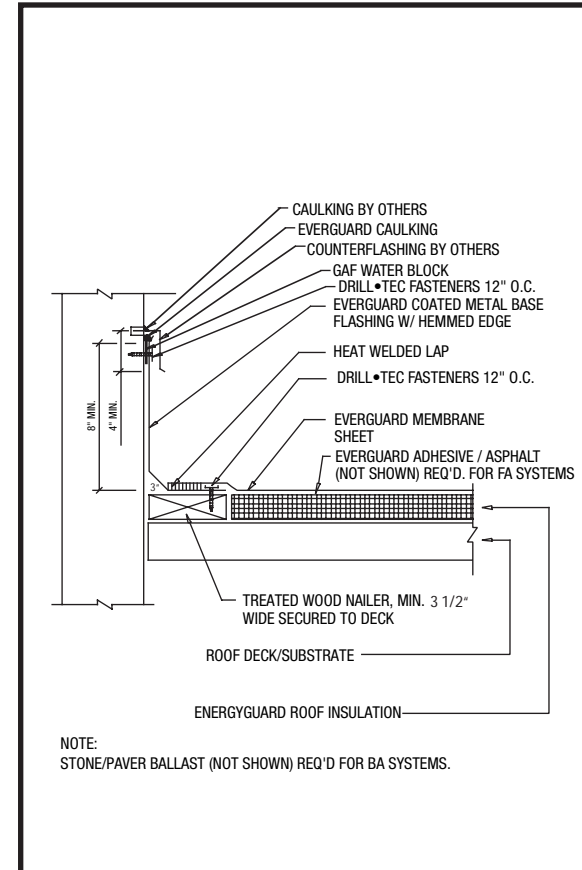


### ALTERNATE WALL BASE TERMINATION



GAF EVERGUARD®	SYSTEM: ALL
DATE: 10/19/04	DRAWING NUMBER: MA 307, FA 307, BA 307, TRI 306

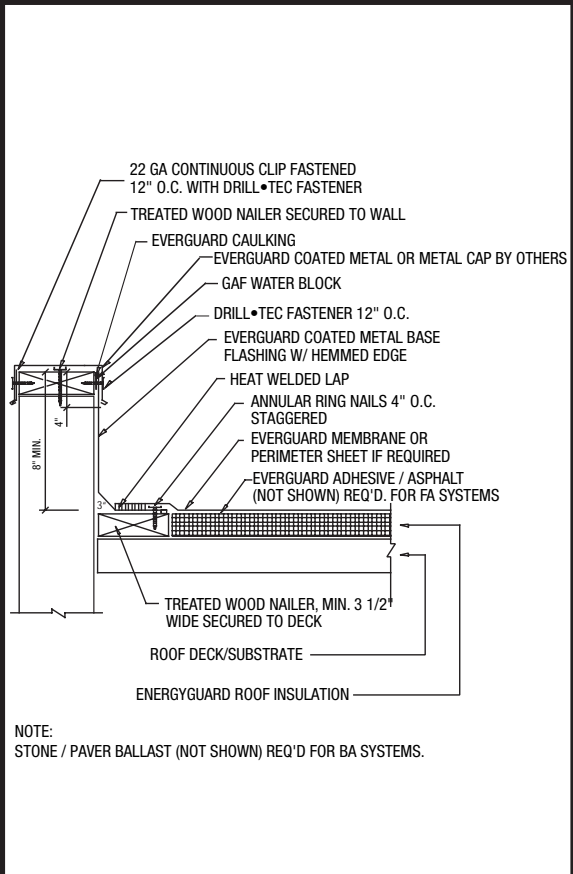
### COATED METAL WALL FLASHING



GAF EVERGUARD®	SYSTEM: MA/FA/BA
DATE: 10/19/04	DRAWING NUMBER: MA 308, FA 308, BA 308

**Roofing Details**  
 TPO & PVC

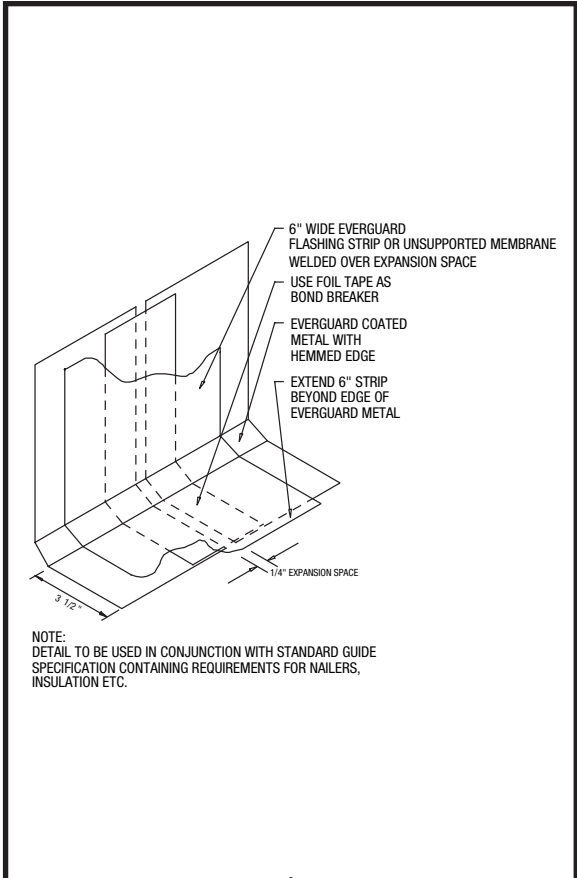
**COATED METAL CAP FLASHING**



GAF EVERGUARD®	SYSTEM: MA/FA/BA
DATE: 10/19/04	DRAWING NUMBER: MA 309, FA 309, BA 308

**Roofing Details**  
 TPO & PVC

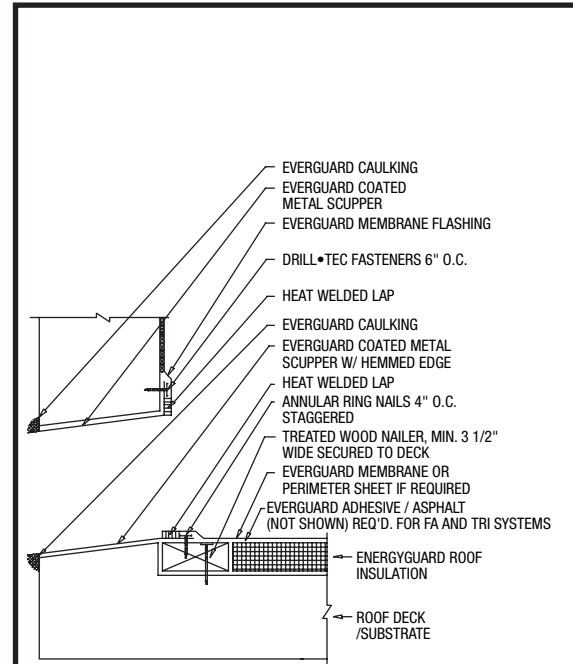
**COATED METAL JOINT DETAIL**



GAF EVERGUARD®	SYSTEM: ALL
DATE: 10/19/04	DRAWING NUMBER: MA 310, FA 310, BA 310, TRI 309

**Roofing Details**  
TPO & PVC

### COATED METAL WALL SCUPPER

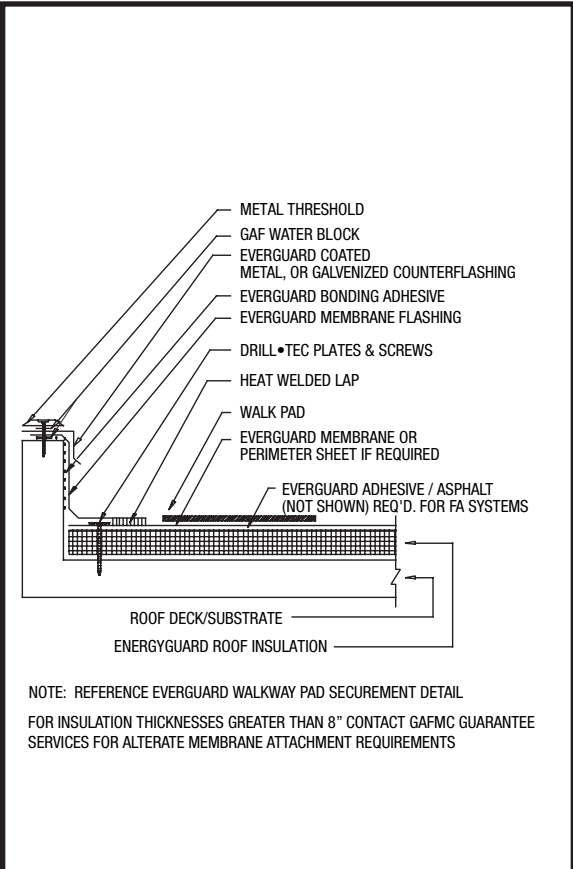


NOTE: REMEMBER TO INSTALL EVERGUARD UNREINFORCED OR PREMANUFACTURED OUTSIDE CORNERS TO THE SCUPPERS FOUR ROOF SIDE CORNERS

GAF EVERGUARD®	SYSTEM: MA/FA/BA
DATE: 10/19/04	DRAWING NUMBER: MA 311, FA 311, BA 311

**Roofing Details**  
 TPO & PVC

**THRESHOLD FLASHING**

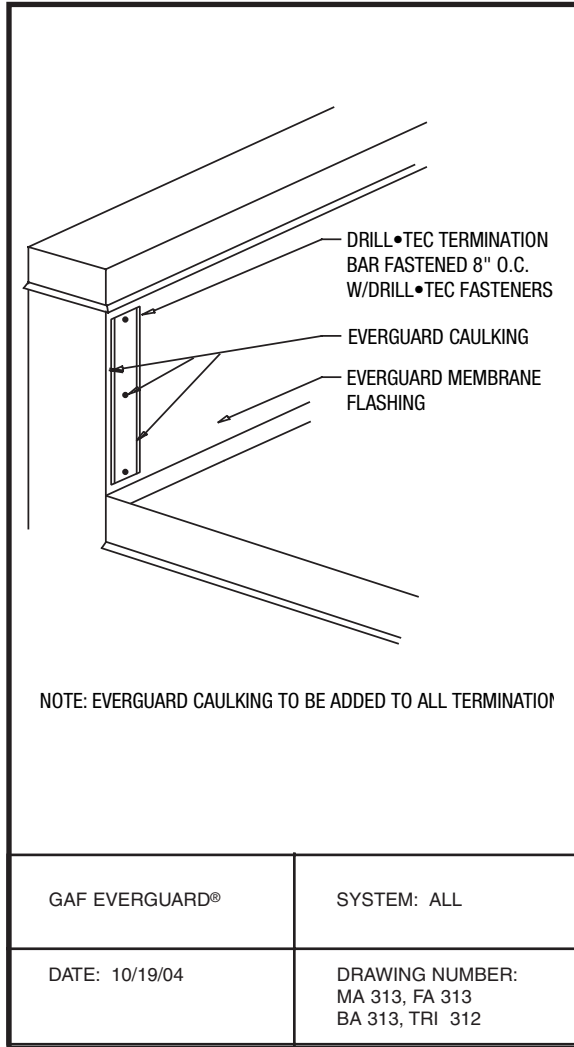


NOTE: REFERENCE EVERGUARD WALKWAY PAD SECUREMENT DETAIL  
 FOR INSULATION THICKNESSES GREATER THAN 8" CONTACT GAFMC GUARANTEE SERVICES FOR ALTERATE MEMBRANE ATTACHMENT REQUIREMENTS

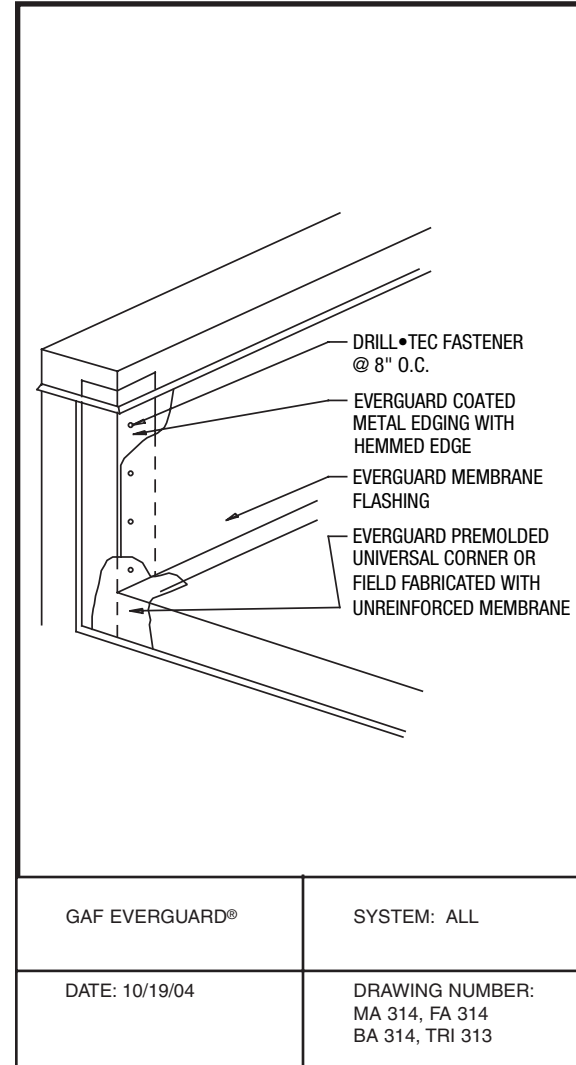
GAF EVERGUARD®	SYSTEM: MA/FA
DATE: 10/19/04	DRAWING NUMBER: MA 312, FA 312

**Roofing Details**  
 TPO & PVC

**WALL FLASHING WITH  
TERMINATION BAR**

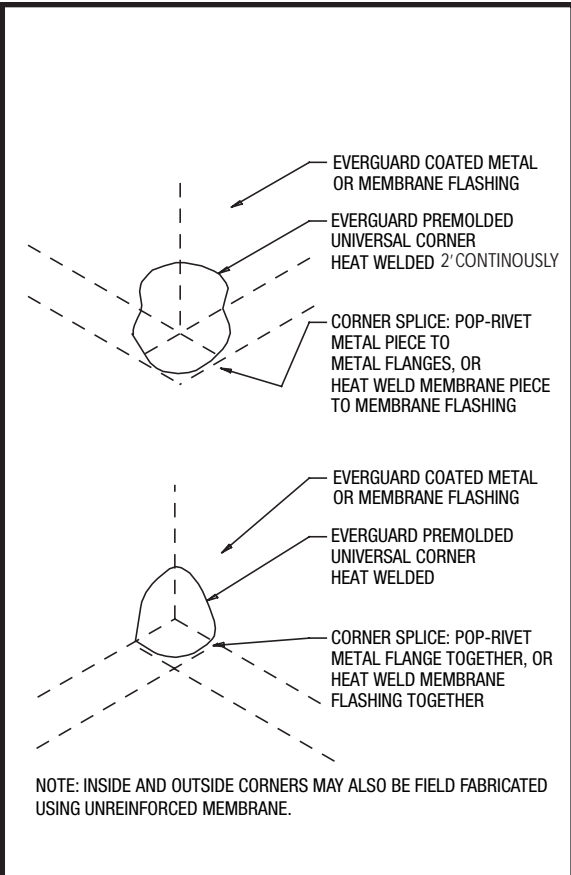


**WALL FLASHING WITH COATED  
METAL EDGE**



**Roofing Details**  
TPO & PVC

**WALL/CURB CORNER  
REINFORCEMENT**



GAF EVERGUARD®	SYSTEM: ALL
DATE: 10/19/04	DRAWING NUMBER: MA 315, FA 315 BA 315, TRI 314