

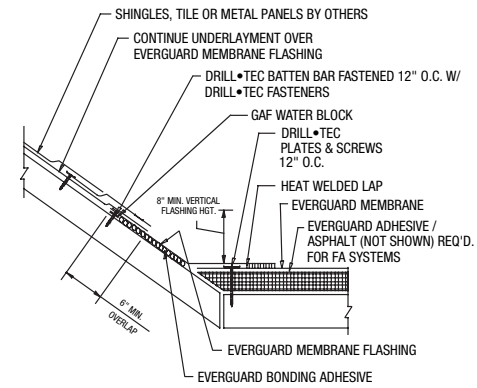
# EverGuard® Fully Adhered Systems Construction Details

## Diagrams



*Quality You Can Trust Since 1886...  
From North America's Largest Roofing Manufacturer™*

### TERMINATION AT SLOPED ROOF



NOTE :  
 MINIMUM SLOPE IS 3" : 12"  
 STONE /PAVER BALLAST (NOT SHOWN) REQ'D FOR BA SYSTEMS  
 PLATES & SCREWS 8" O.C. REQ'D FOR BA SYSTEMS  
 FOR INSULATION THICKNESSES GREATER THAN 8" CONTACT GAFMC GUARANTEE SERVICES FOR ALTERATE MEMBRANE ATTACHMENT REQUIREMENTS

GAF EVERGUARD®

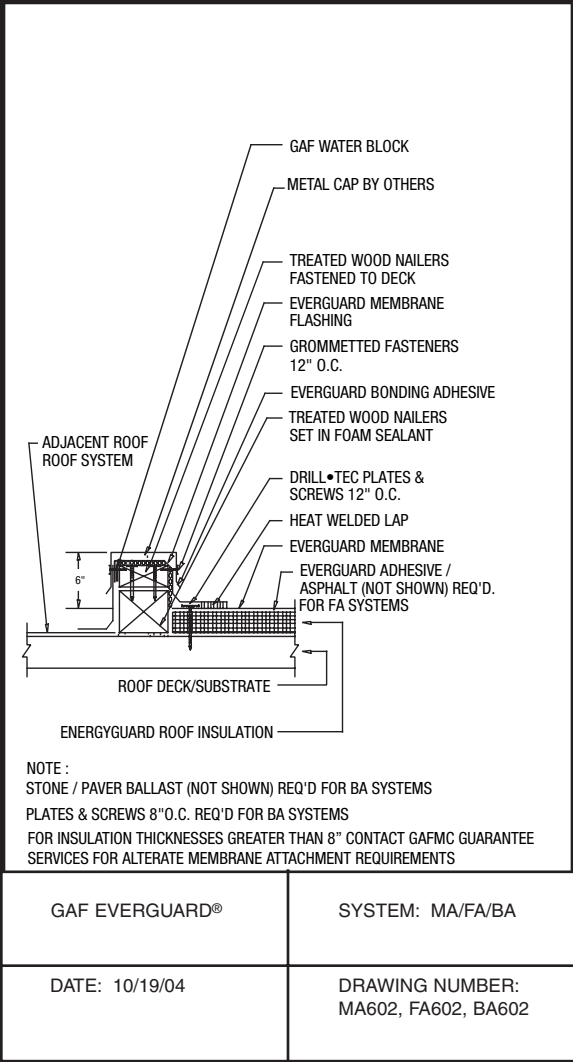
SYSTEM: MA/FA/BA

DATE: 10/19/04

DRAWING NUMBER:  
 MA 601, FA 601, BA 601

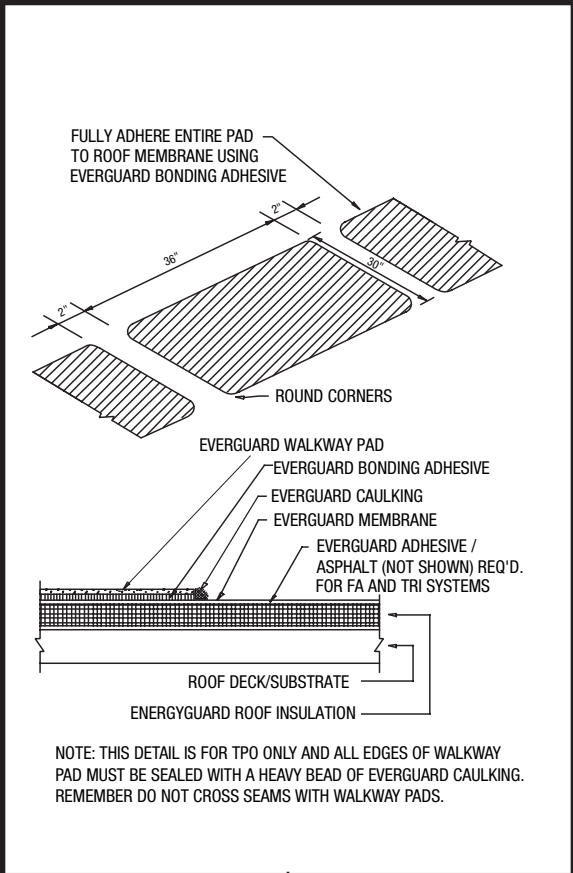
**Roofing Details**  
 TPO & PVC

**TERMINATION AT FLAT ROOF**



**Roofing Details**  
 TPO & PVC

**ADHERED WALKWAY INSTALLATION**

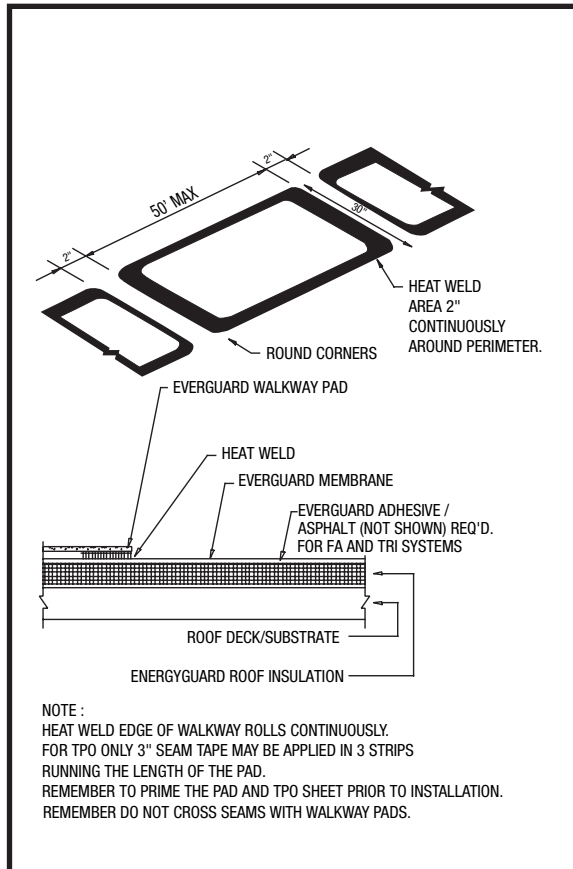


NOTE: THIS DETAIL IS FOR TPO ONLY AND ALL EDGES OF WALKWAY PAD MUST BE SEALED WITH A HEAVY BEAD OF EVERGUARD CAULKING. REMEMBER DO NOT CROSS SEAMS WITH WALKWAY PADS.

GAF EVERGUARD®	SYSTEM: MA/FA/TRI
DATE: 10/19/04	DRAWING NUMBER: MA 603, FA 603, TRI 603

**Roofing Details**  
TPO & PVC

## HEAT WELDED WALKWAY INSTALLATION

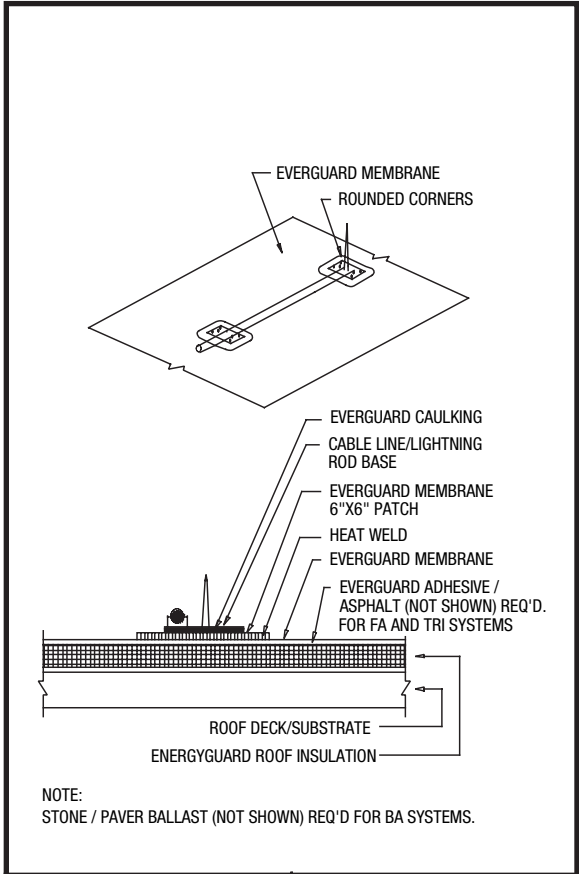


GAF EVERGUARD®	SYSTEM: MA/FA/TRI
DATE: 10/19/04	DRAWING NUMBER: MA 604, FA 604, TRI 604

# Roofing Details

TPO & PVC

## ADHERED LIGHTNING SUPPRESSION MOUNTING



GAF EVERGUARD®

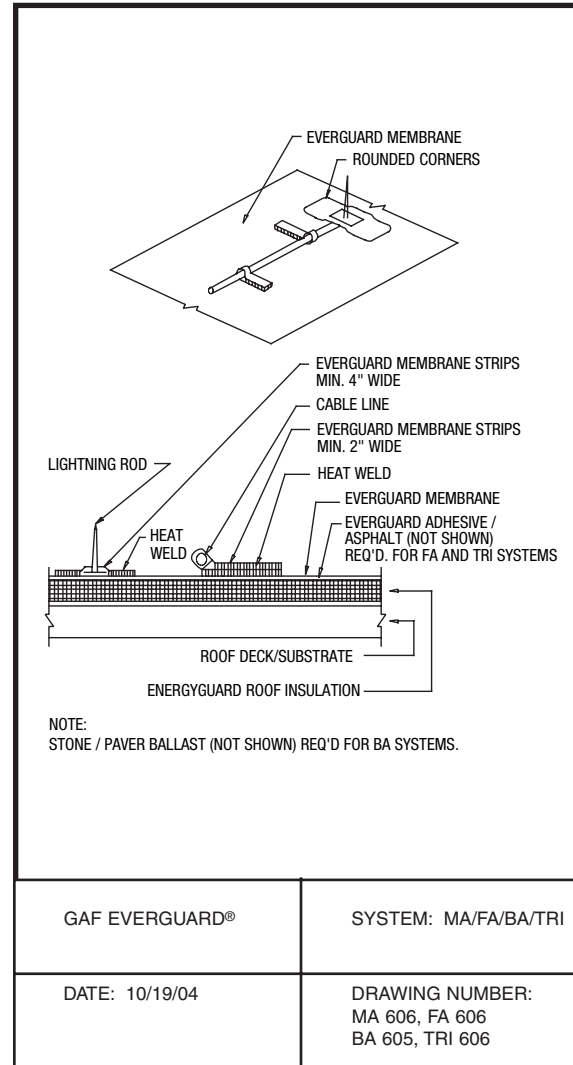
SYSTEM: MA/FA/BA/TRI

DATE: 010/19/04

DRAWING NUMBER:  
MA 605, FA 605  
BA 604, TRI 605

**Roofing Details**  
TPO & PVC

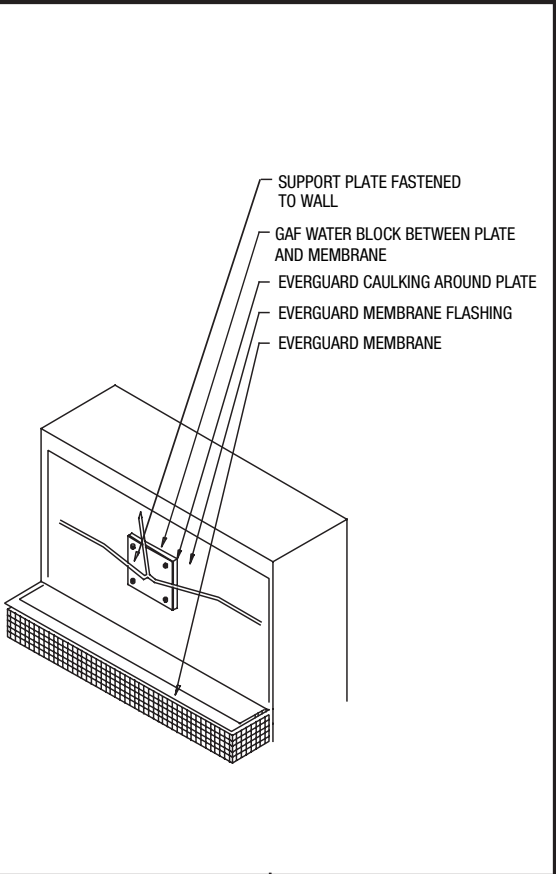
## LOOPED LIGHTNING SUPPRESSION MOUNTING



Roofing Details

TPO & PVC

**FASTENED LIGHTNING  
SUPPRESSION MOUNTING**



GAF EVERGUARD®

SYSTEM: ALL

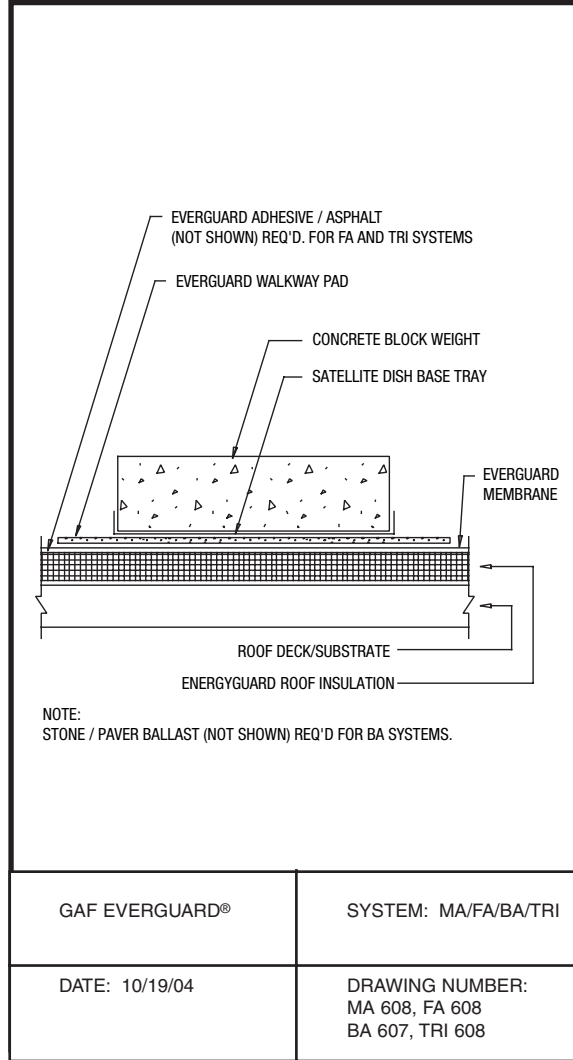
DATE: 10/19/04

DRAWING NUMBER:  
MA 607, FA 607  
BA 606, TRI 607

**Roofing Details**  
TPO & PVC



## SATELLITE DISH MOUNTING



**Roofing Details**  
TPO & PVC