

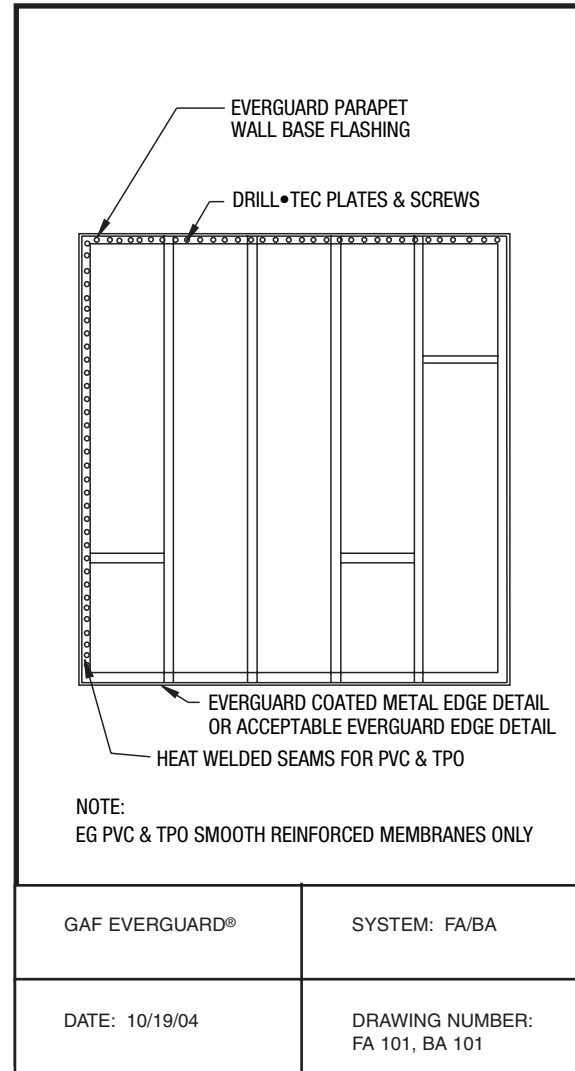
EverGuard® Ballast Applied Systems Roofing Details

Diagrams



*Quality You Can Trust Since 1886...
From North America's Largest Roofing Manufacturer™*

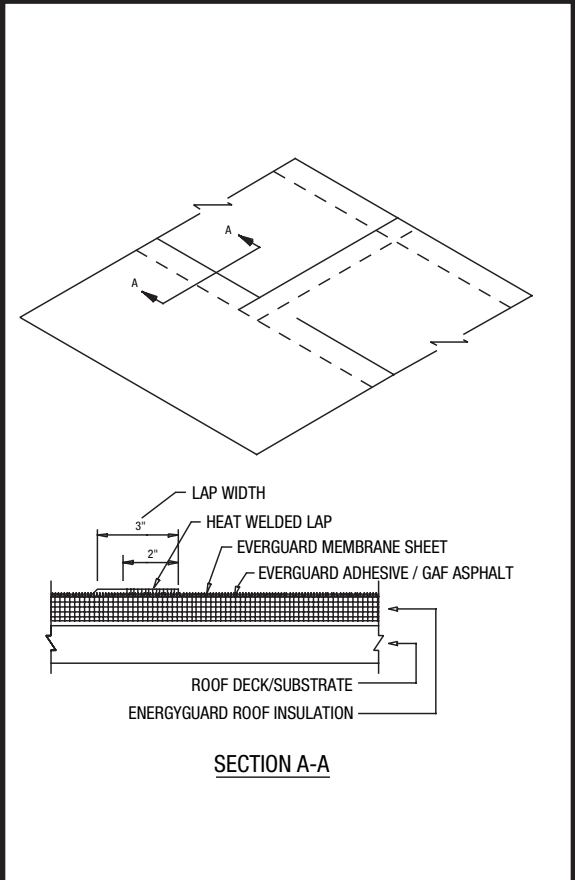
ROOF MEMBRANE LAYOUT



Roofing Details

TPO & PVC

SIDE LAP

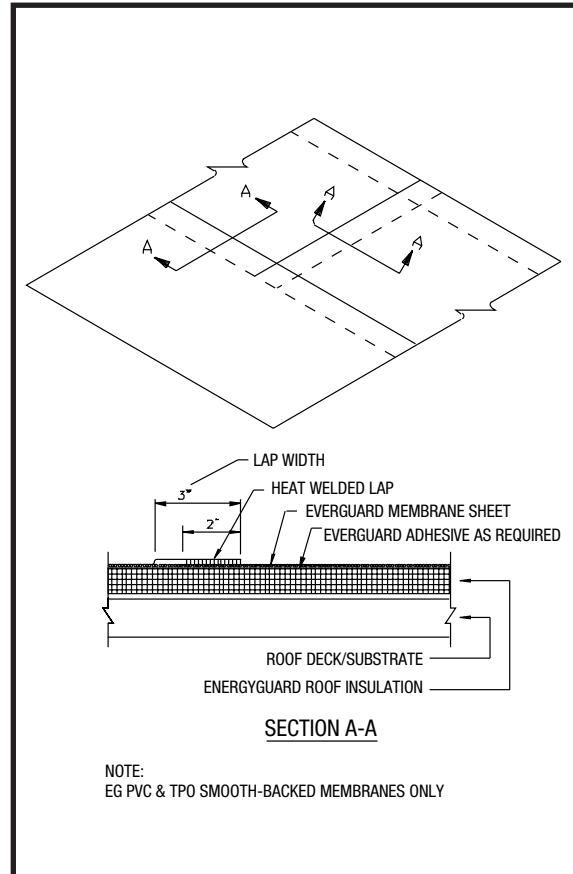


SECTION A-A

<p>GAF EVERGUARD®</p>	<p>SYSTEM: FA/TRI/BA</p>
<p>DATE: 10/19/04</p>	<p>DRAWING NUMBER: FA 103, BA 102, TRI 103</p>

Roofing Details
TPO & PVC

END/SIDE LAP



GAF EVERGUARD®

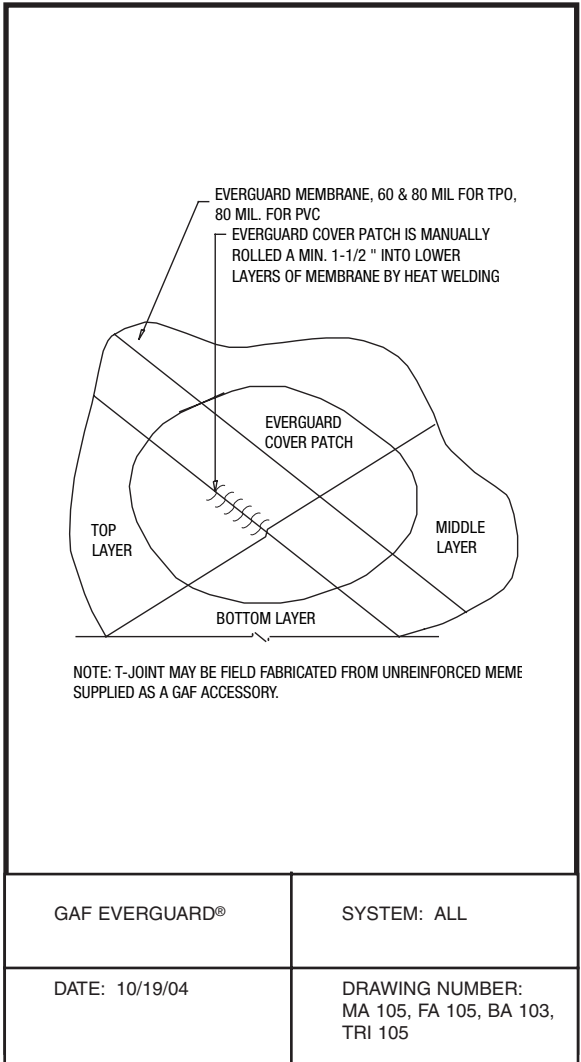
SYSTEM: FA/BA

DATE: 10/19/04

DRAWING NUMBER:
FA 104

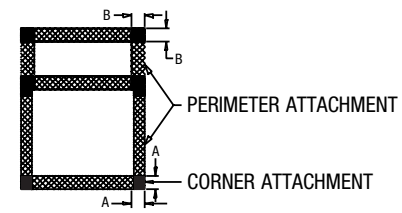
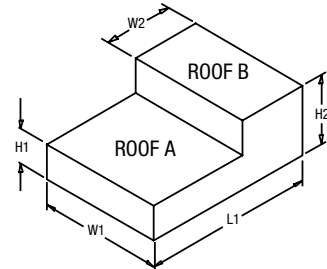
Roofing Details
TPO & PVC

T-JOINT COVER PATCH DETAIL



Roofing Details
 TPO & PVC

ROOF AREA ZONE LAYOUT



NOTES:
 WINDSTORM RESISTANCE DESIGN AS REQUIRED BY SPEC.
 OR SHALL BE DETERMINED FROM FM PREVENTION DATA
 SHEET 1-29
 WIDTH OF PERIMETER TREATMENT SHALL BE 10% OF THE
 BUILDING NARROWEST WIDTH OR 40% OF THE BUILDING
 EAVE HEIGHT, WHICHEVER IS LESS. FOR EXAMPLE
 ABOVE: $B = 0.4H2$ OR $0.1W2$ $A = 0.4H1$ OR $0.1W1$

GAF EVERGUARD®

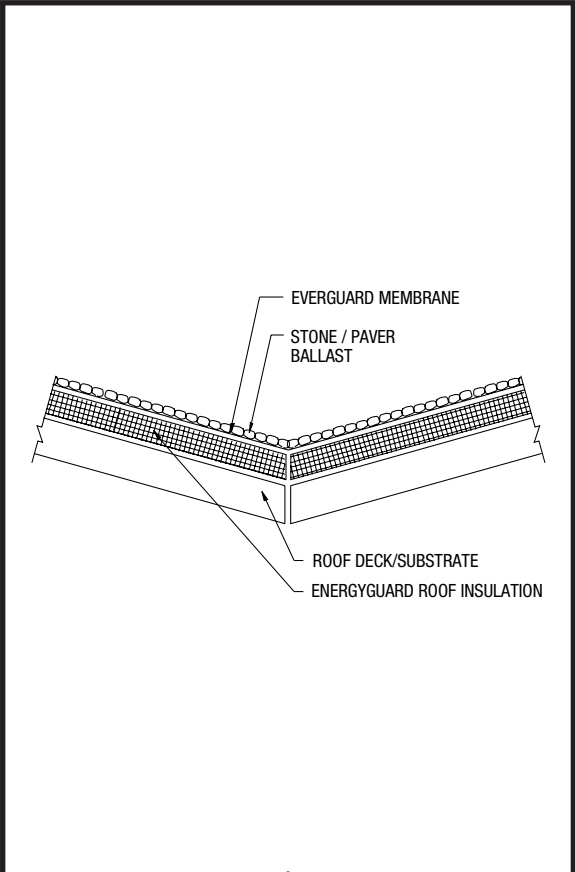
SYSTEM: ALL

DATE: 10/19/04

DRAWING NUMBER:
 MA 106, BA 104, FA 106,
 TRI 106

Roofing Details
 TPO & PVC

VALLEY DETAIL

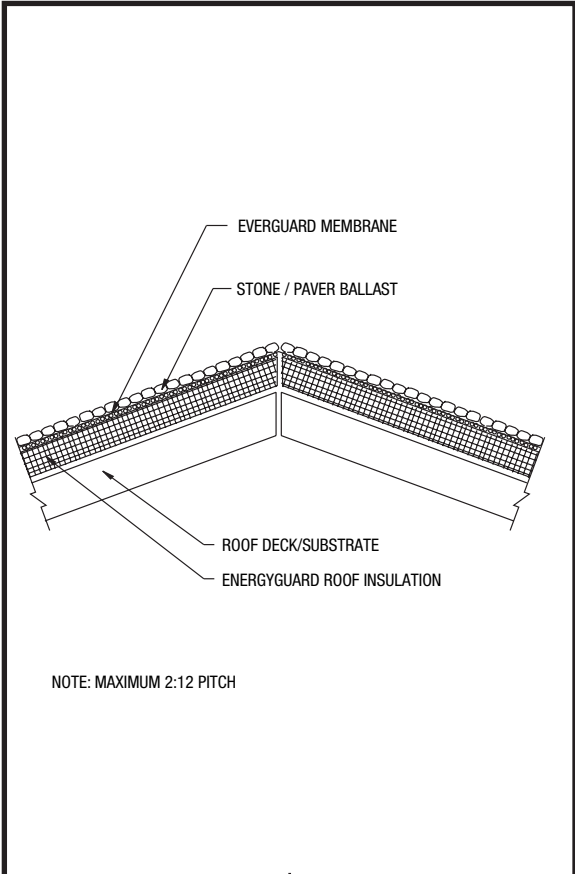


GAF EVERGUARD®	SYSTEM: BA
DATE: 10/19/04	DRAWING NUMBER: BA 106

Roofing Details

TPO & PVC

RIDGE FLASHING DETAIL



NOTE: MAXIMUM 2:12 PITCH

GAF EVERGUARD®	SYSTEM: BA
DATE: 10/19/04	DRAWING NUMBER: BA 107