

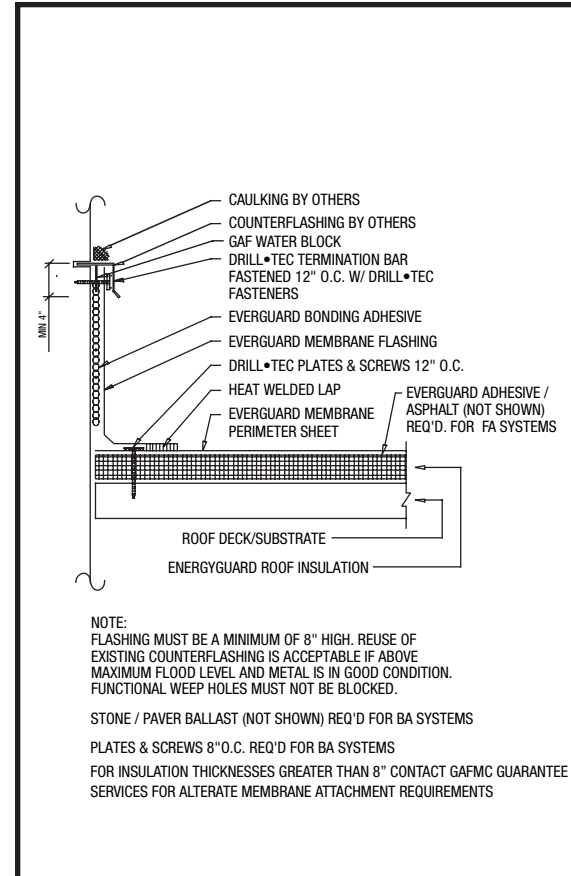
EverGuard® Ballast Applied Systems Roofing Details

Diagrams



*Quality You Can Trust Since 1886...
From North America's Largest Roofing Manufacturer™*

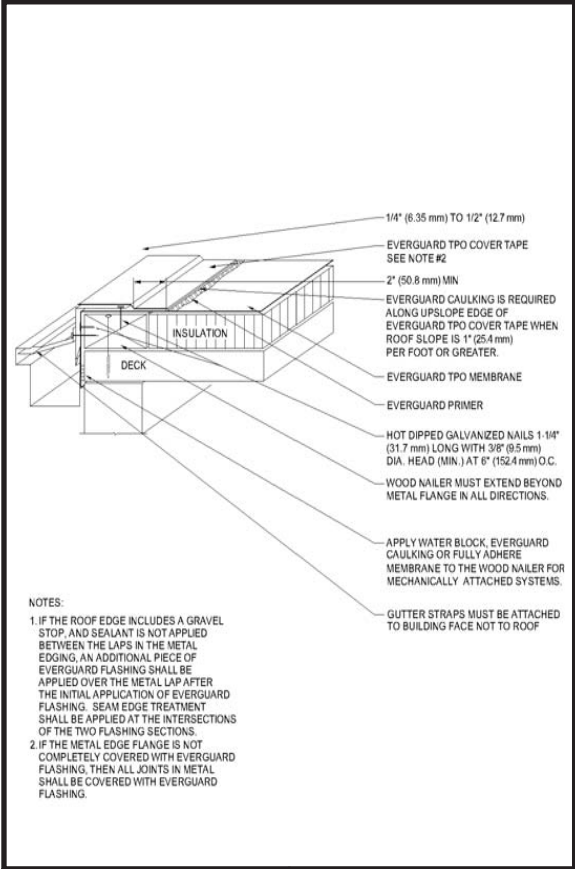
WALL FLASHING WITH COUNTERFLASHING



GAF EVERGUARD®	SYSTEM: MA/FA/BA
DATE: 10/19/04	DRAWING NUMBER: MA 301, FA 301, BA 301

Roofing Details
 TPO & PVC

GUTTER EDGE WITH TPO COVER TAPE

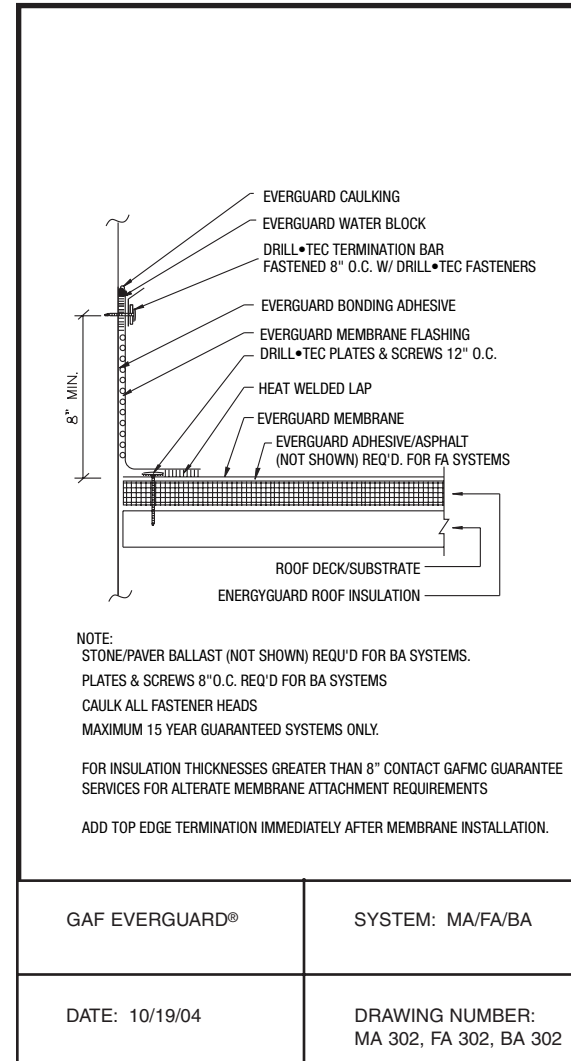


NOTES:
 1. IF THE ROOF EDGE INCLUDES A GRAVEL STOP, AND SEALANT IS NOT APPLIED BETWEEN THE LAPS IN THE METAL EDGING, AN ADDITIONAL PIECE OF EVERGUARD FLASHING SHALL BE APPLIED OVER THE METAL LAP AFTER THE INITIAL APPLICATION OF EVERGUARD FLASHING. SEAM EDGE TREATMENT SHALL BE APPLIED AT THE INTERSECTIONS OF THE TWO FLASHING SECTIONS.
 2. IF THE METAL EDGE FLANGE IS NOT COMPLETELY COVERED WITH EVERGUARD FLASHING, THEN ALL JOINTS IN METAL SHALL BE COVERED WITH EVERGUARD FLASHING.

GAF EVERGUARD®	SYSTEM: BA
DATE: 10/19/04	DRAWING NUMBER: EG-214

Roofing Details
 TPO & PVC

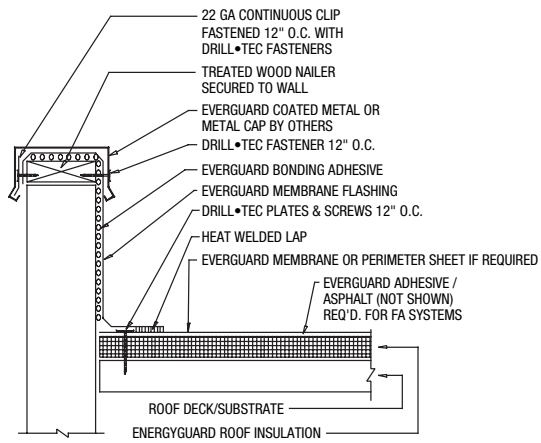
WALL FLASHING WITH TERMINATION BAR



Roofing Details

TPO & PVC

WALL FLASHING WITH COPING



NOTE:
PLATES & SCREWS 8" O.C. REQ'D FOR BA SYSTEMS

FOR INSULATION THICKNESSES GREATER THAN 8" CONTACT GAFMC GUARANTEE
SERVICES FOR ALTERATE MEMBRANE ATTACHMENT REQUIREMENTS

GAF EVERGUARD®

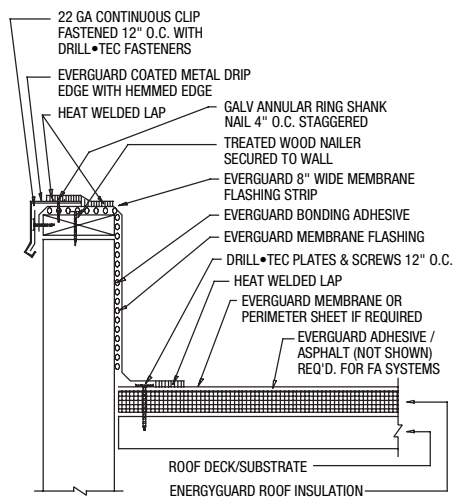
SYSTEM: MA/FA/BA

DATE: 10/19/04

DRAWING NUMBER:
MA 303, FA 303, BA 303

Roofing Details
TPO & PVC

WALL FLASHING WITH COATED METAL EDGE



NOTE:
 STONE / PAVER BALLAST (NOT SHOWN) REQ'D FOR BA SYSTEMS
 PLATES & SCREWS 8" O.C. REQ'D FOR BA SYSTEMS

FOR INSULATION THICKNESSES GREATER THAN 8" CONTACT GAFMC GUARANTEE SERVICES FOR ALTERATE MEMBRANE ATTACHMENT REQUIREMENTS

NOTE: CONTINUOUS HOOK STRIP NEEDED ONLY IF FACE OF METAL EXCEEDS 4"

GAF EVERGUARD®

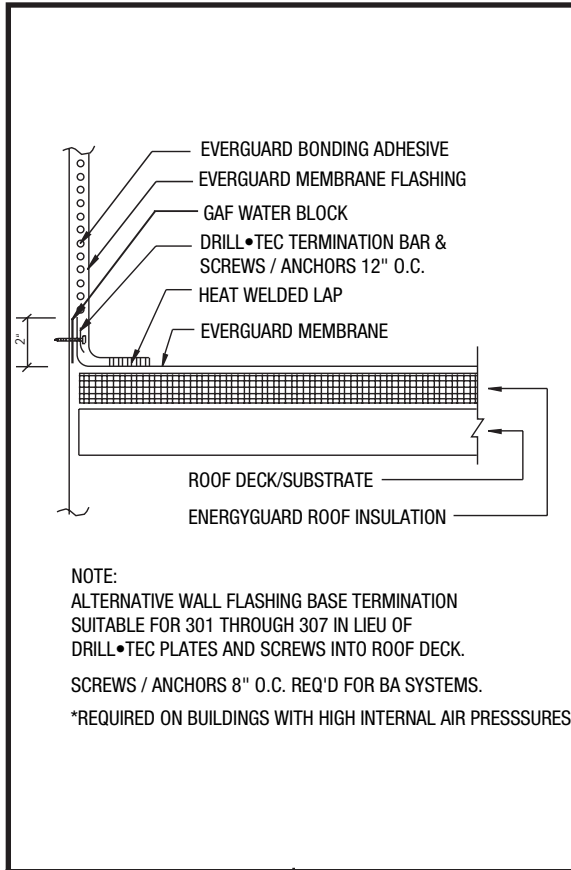
SYSTEM: MA/FA/BA

DATE: 10/19/04

DRAWING NUMBER:
 MA 304, FA 304, BA 304

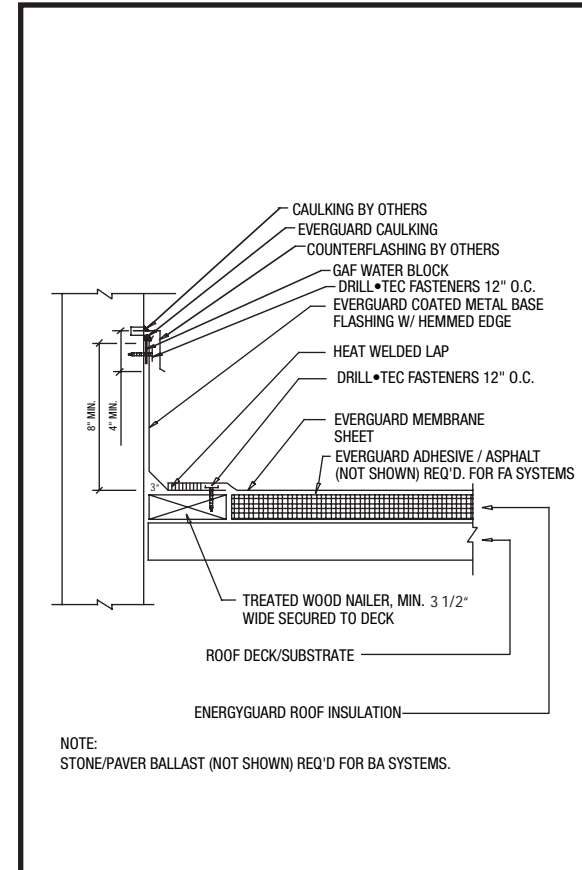
Roofing Details
 TPO & PVC

ALTERNATE WALL BASE TERMINATION



GAF EVERGUARD®	SYSTEM: ALL
DATE: 10/19/04	DRAWING NUMBER: MA 307, FA 307, BA 307, TRI 306

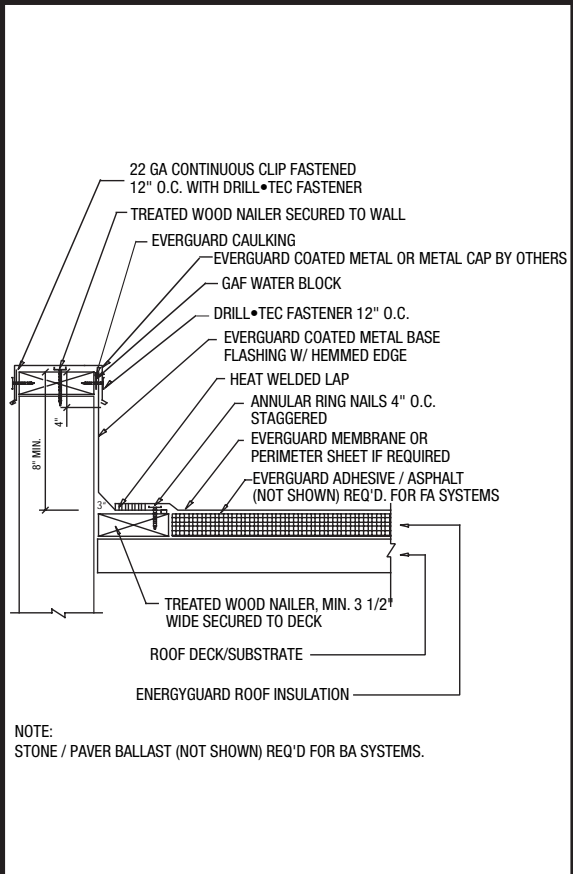
COATED METAL WALL FLASHING



GAF EVERGUARD®	SYSTEM: MA/FA/BA
DATE: 10/19/04	DRAWING NUMBER: MA 308, FA 308, BA 308

Roofing Details
 TPO & PVC

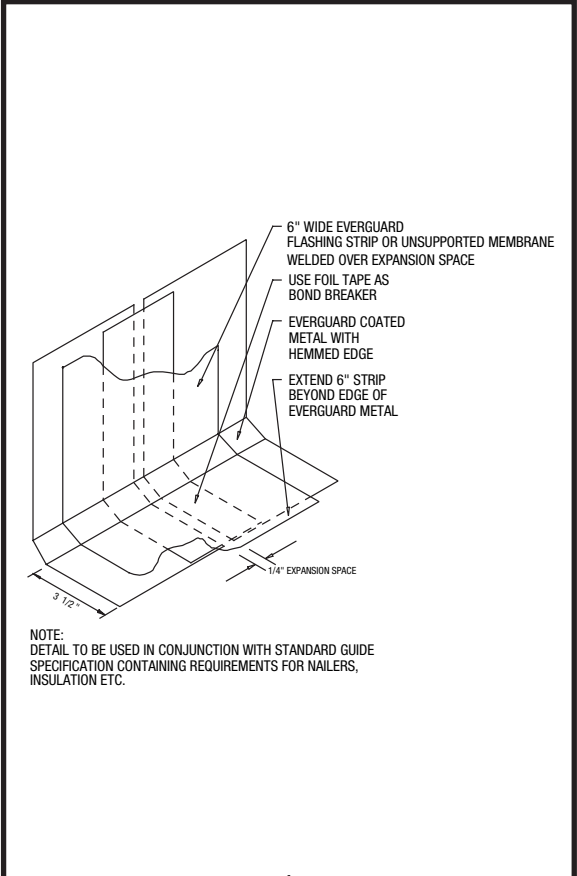
COATED METAL CAP FLASHING



GAF EVERGUARD®	SYSTEM: MA/FA/BA
DATE: 10/19/04	DRAWING NUMBER: MA 309, FA 309, BA 308

Roofing Details
 TPO & PVC

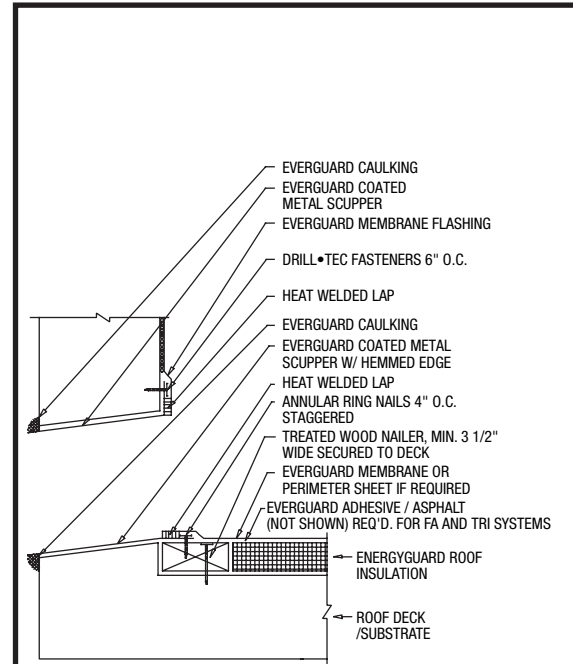
COATED METAL JOINT DETAIL



GAF EVERGUARD®	SYSTEM: ALL
DATE: 10/19/04	DRAWING NUMBER: MA 310, FA 310, BA 310, TRI 309

Roofing Details
TPO & PVC

COATED METAL WALL SCUPPER

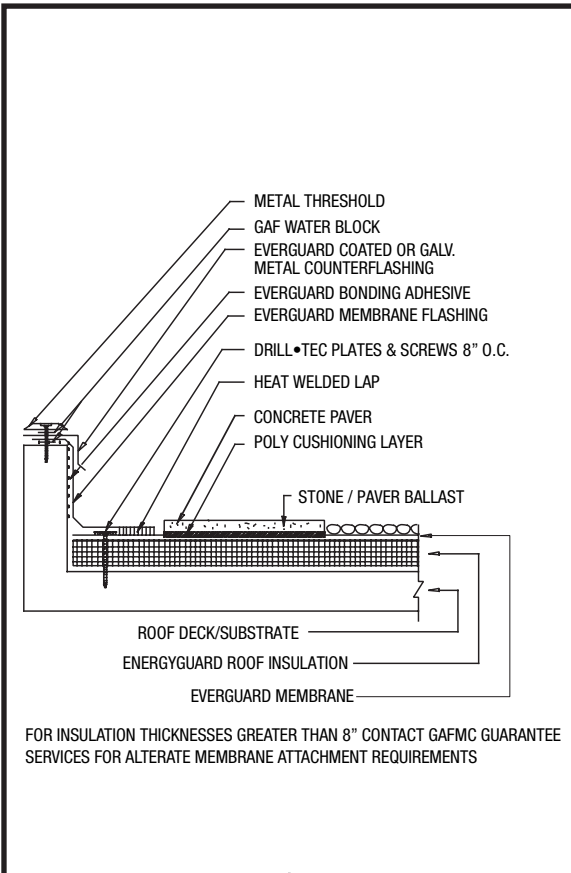


NOTE: REMEMBER TO INSTALL EVERGUARD UNREINFORCED OR PREMANUFACTURED OUTSIDE CORNERS TO THE SCUPPERS FOUR ROOF SIDE CORNERS

GAF EVERGUARD®	SYSTEM: MA/FA/BA
DATE: 10/19/04	DRAWING NUMBER: MA 311, FA 311, BA 311

Roofing Details
 TPO & PVC

THRESHOLD FLASHING

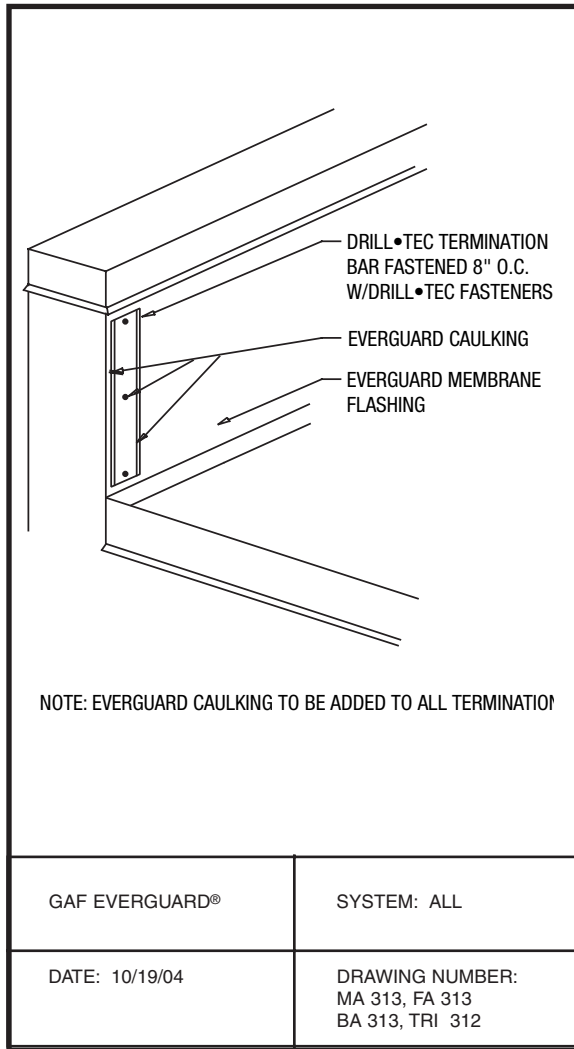


GAF EVERGUARD®	SYSTEM: BA
DATE: 10/19/04	DRAWING NUMBER: BA 312

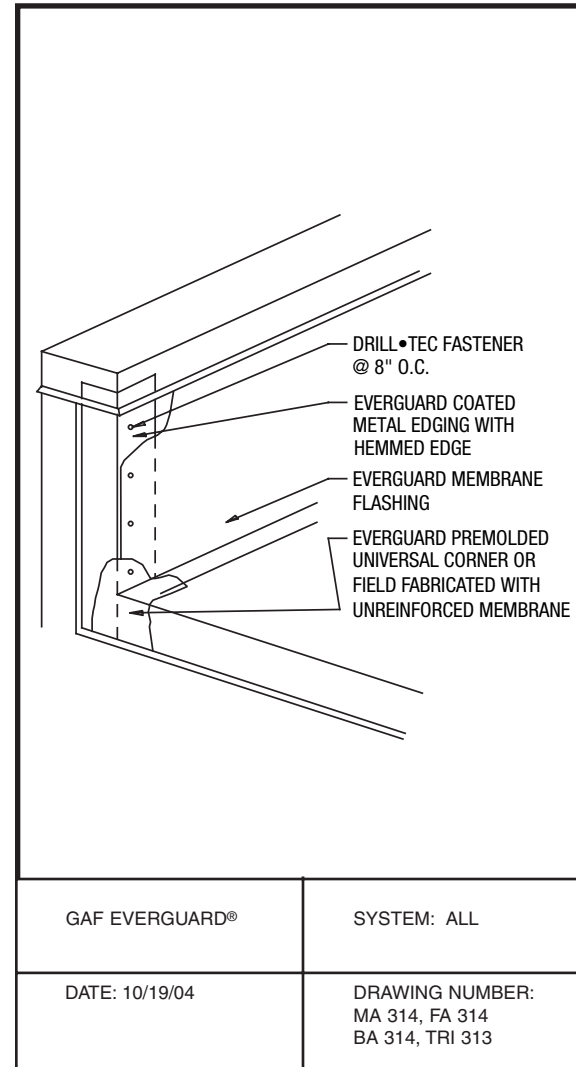
Roofing Details

TPO & PVC

**WALL FLASHING WITH
TERMINATION BAR**

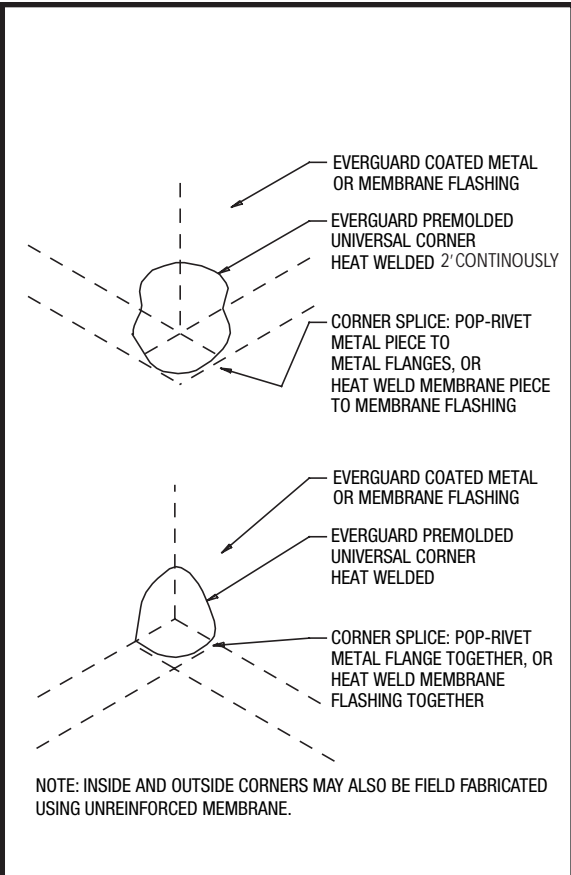


**WALL FLASHING WITH COATED
METAL EDGE**



Roofing Details
 TPO & PVC

**WALL/CURB CORNER
REINFORCEMENT**



GAF EVERGUARD®	SYSTEM: ALL
DATE: 10/19/04	DRAWING NUMBER: MA 315, FA 315 BA 315, TRI 314