

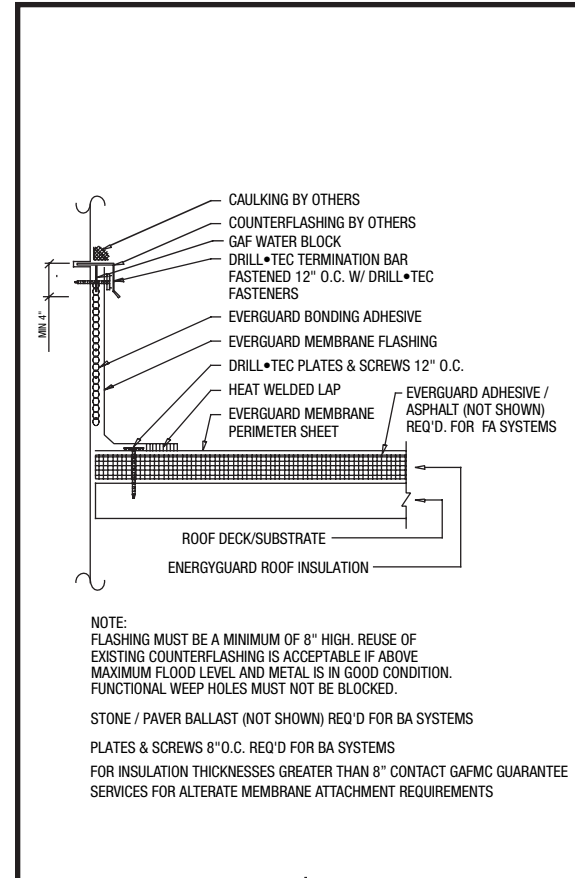
# EverGuard® Mechanically Attached Roofing Details

## Diagrams



*Quality You Can Trust Since 1886...  
From North America's Largest Roofing Manufacturer™*

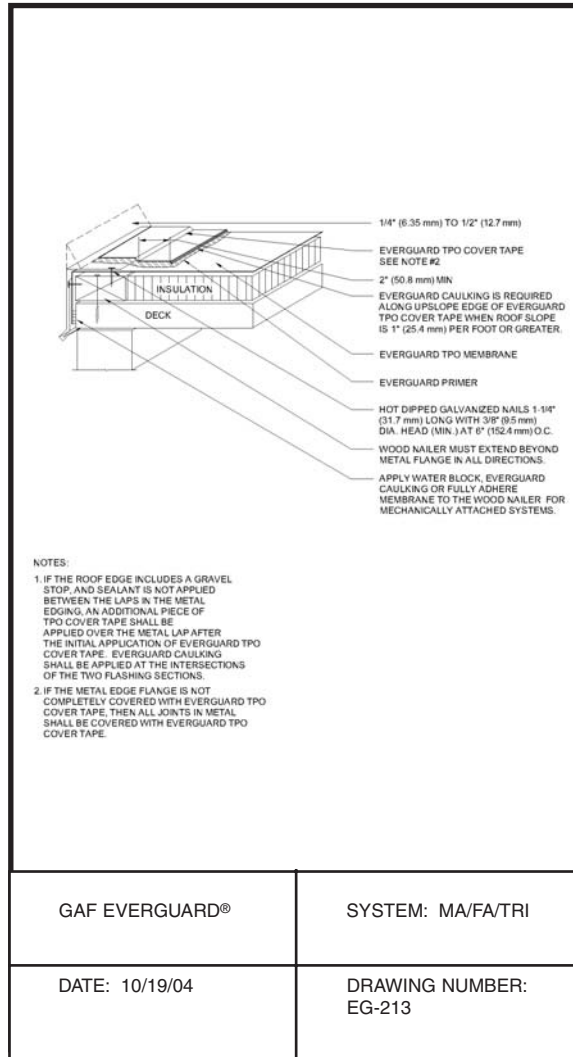
**WALL FLASHING WITH COUNTERFLASHING**



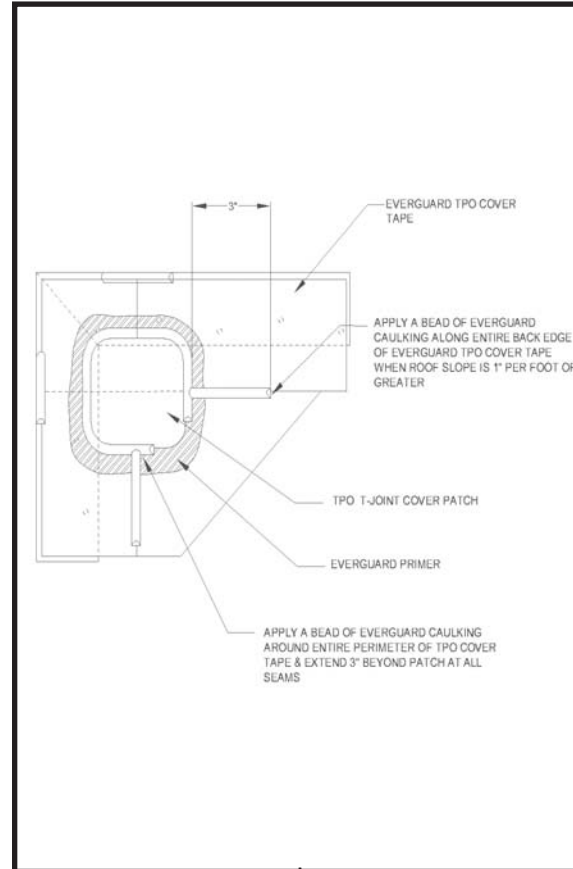
GAF EVERGUARD®	SYSTEM: MA/FA/BA
DATE: 10/19/04	DRAWING NUMBER: MA 301, FA 301, BA 301

**Roofing Details**  
 TPO & PVC

## ROOF EDGE WITH TPO COVER TAPE



**T-JOINT AT EDGE CORNER**



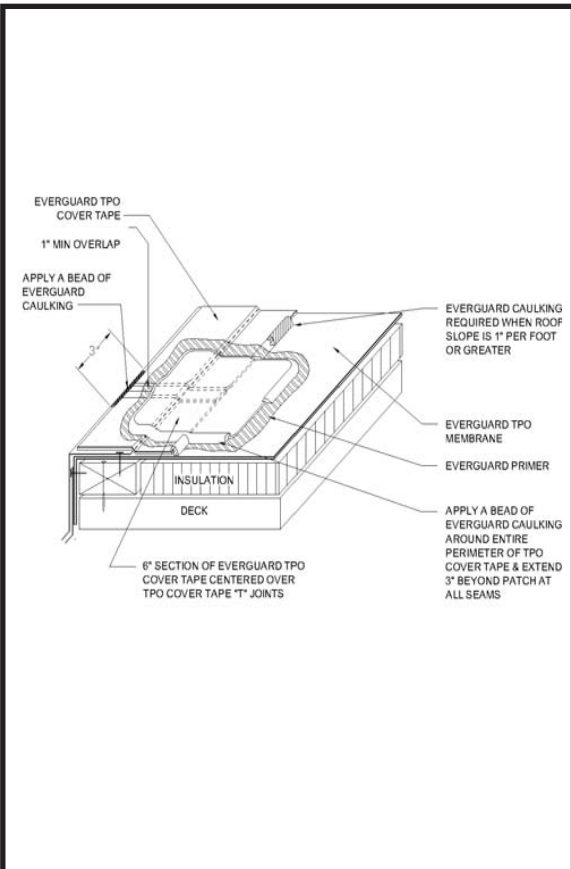
GAF EVERGUARD®

SYSTEM: MA/FA/TRI

DATE: 10/19/04

DRAWING NUMBER:  
EG-216

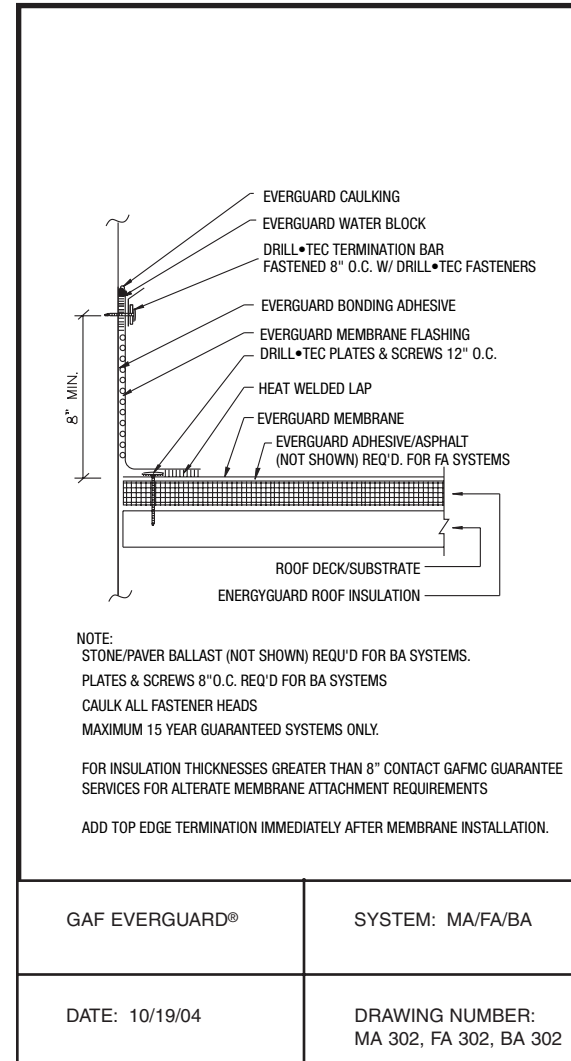
**TPO COVER TAPE OVERLAP AT  
ROOF EDGE**



GAF EVERGUARD®	SYSTEM: MA/FA/TRI
DATE: 10/19/04	DRAWING NUMBER: EG-215

**Roofing Details**  
TPO & PVC

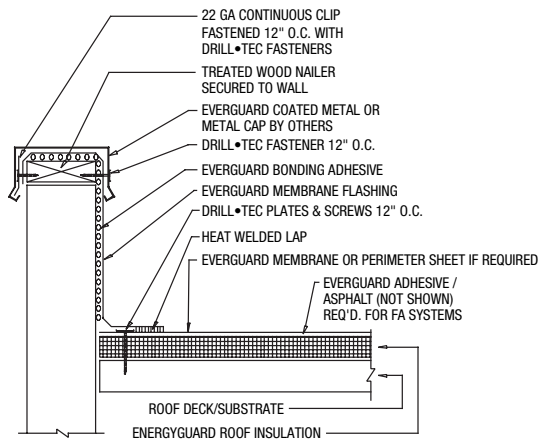
## WALL FLASHING WITH TERMINATION BAR



Roofing Details

TPO & PVC

### WALL FLASHING WITH COPING



NOTE:  
 PLATES & SCREWS 8" O.C. REQ'D FOR BA SYSTEMS  
 FOR INSULATION THICKNESSES GREATER THAN 8" CONTACT GAFMC GUARANTEE SERVICES FOR ALTERNATE MEMBRANE ATTACHMENT REQUIREMENTS

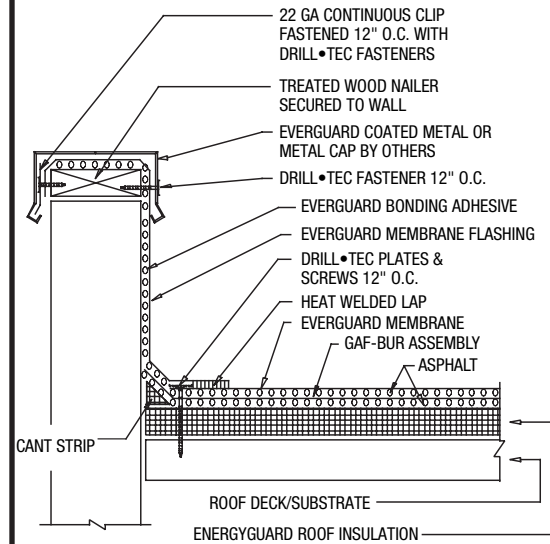
GAF EVERGUARD®

SYSTEM: MA/FA/BA

DATE: 10/19/04

DRAWING NUMBER:  
 MA 303, FA 303, BA 303

### WALL FLASHING WITH COPING



NOTE:  
 ALSO SUITABLE FOR HIGH WALL FLASHING AND PARAPET DRIP  
 EDGE WALL FLASHING, REF. HA 304, FA 304, BA 304 AND  
 HA 306, FA 306, BA 306.  
 FOR INSULATION THICKNESSES GREATER THAN 8" CONTACT GAFMC GUARANTEE SERVICES FOR ALTERNATE MEMBRANE ATTACHMENT REQUIREMENTS

GAF EVERGUARD®

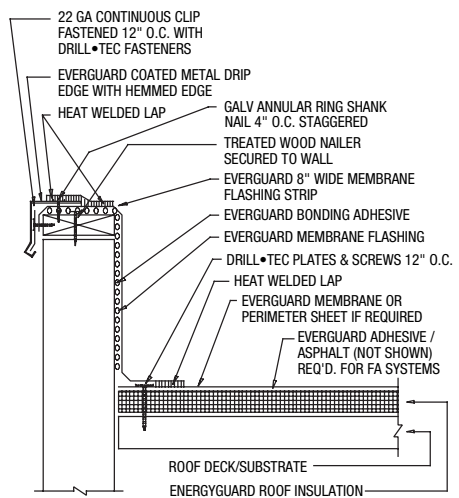
SYSTEM: TRI

DATE: 10/19/04

DRAWING NUMBER:  
 TRI 302

**Roofing Details**  
 TPO & PVC

## WALL FLASHING WITH COATED METAL EDGE



NOTE:  
STONE / PAVER BALLAST (NOT SHOWN) REQ'D FOR BA SYSTEMS  
PLATES & SCREWS 8" O.C. REQ'D FOR BA SYSTEMS

FOR INSULATION THICKNESSES GREATER THAN 8" CONTACT GAFMC GUARANTEE  
SERVICES FOR ALTERATE MEMBRANE ATTACHMENT REQUIREMENTS

NOTE: CONTINUOUS HOOK STRIP NEEDED ONLY IF FACE OF METAL EXCEEDS 4"

GAF EVERGUARD®

SYSTEM: MA/FA/BA

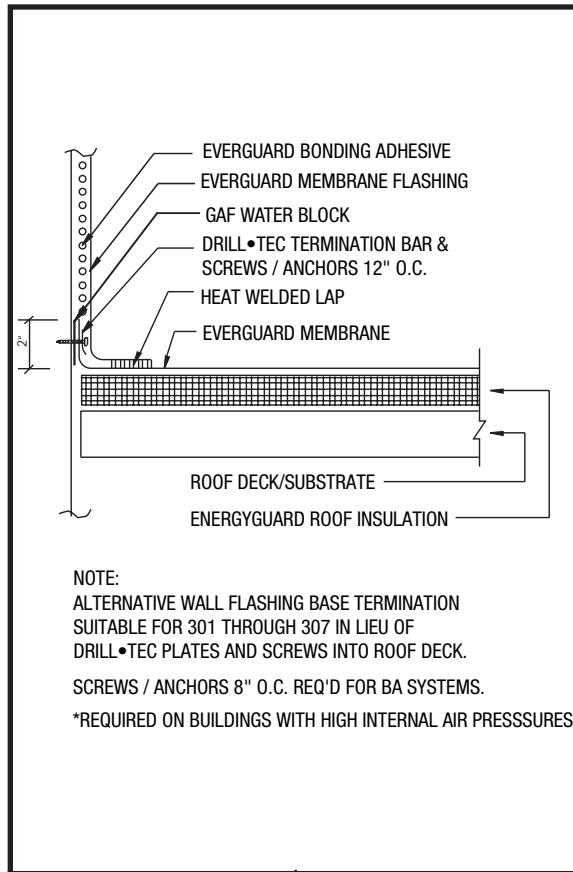
DATE: 10/19/04

DRAWING NUMBER:  
MA 304, FA 304, BA 304

Roofing Details  
TPO & PVC

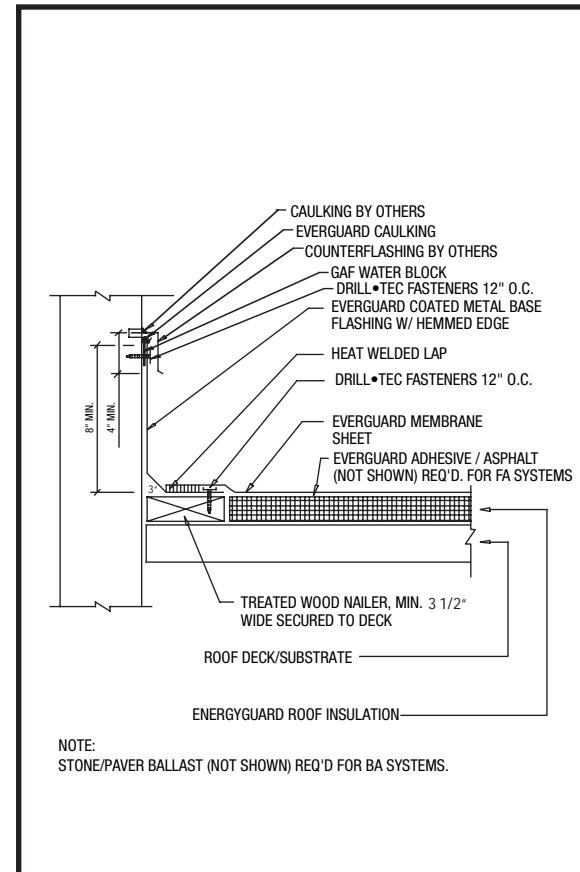


### ALTERNATE WALL BASE TERMINATION



GAF EVERGUARD®	SYSTEM: ALL
DATE: 10/19/04	DRAWING NUMBER: MA 307, FA 307, BA 307, TRI 306

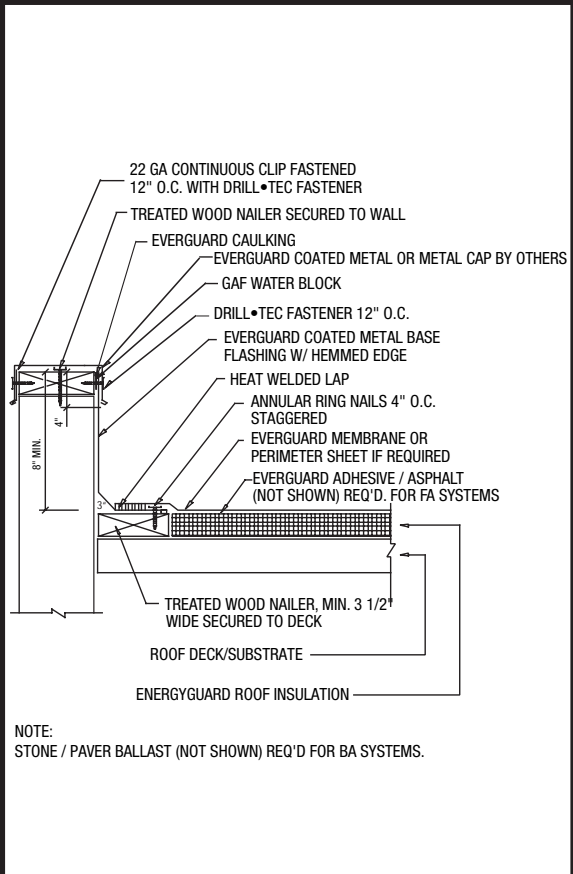
### COATED METAL WALL FLASHING



GAF EVERGUARD®	SYSTEM: MA/FA/BA
DATE: 10/19/04	DRAWING NUMBER: MA 308, FA 308, BA 308

Roofing Details  
TPO & PVC

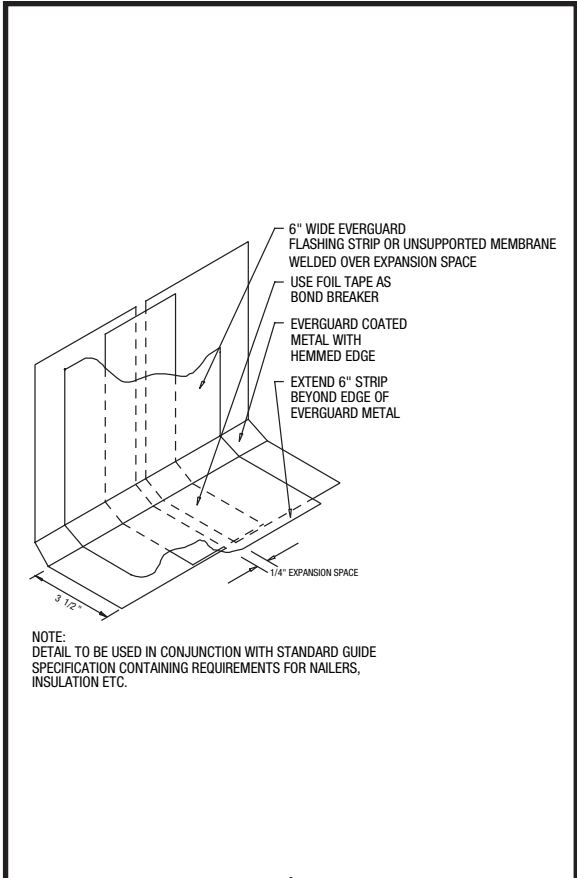
**COATED METAL CAP FLASHING**



GAF EVERGUARD®	SYSTEM: MA/FA/BA
DATE: 10/19/04	DRAWING NUMBER: MA 309, FA 309, BA 308

**Roofing Details**  
 TPO & PVC

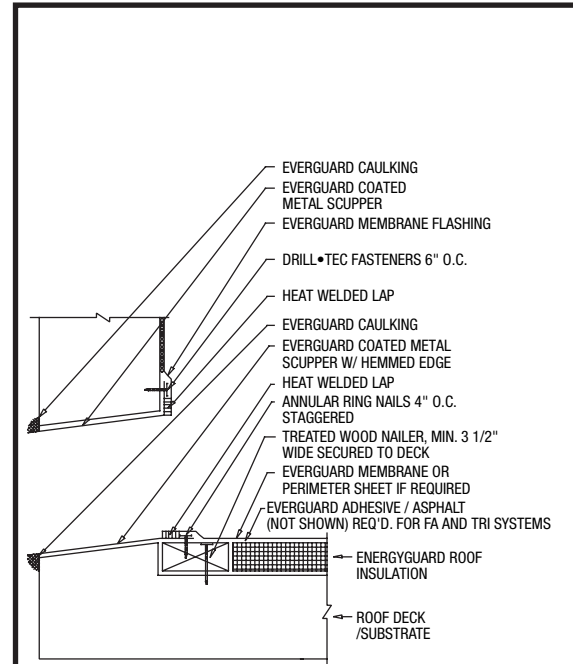
**COATED METAL JOINT DETAIL**



GAF EVERGUARD®	SYSTEM: ALL
DATE: 10/19/04	DRAWING NUMBER: MA 310, FA 310, BA 310, TRI 309

**Roofing Details**  
TPO & PVC

### COATED METAL WALL SCUPPER

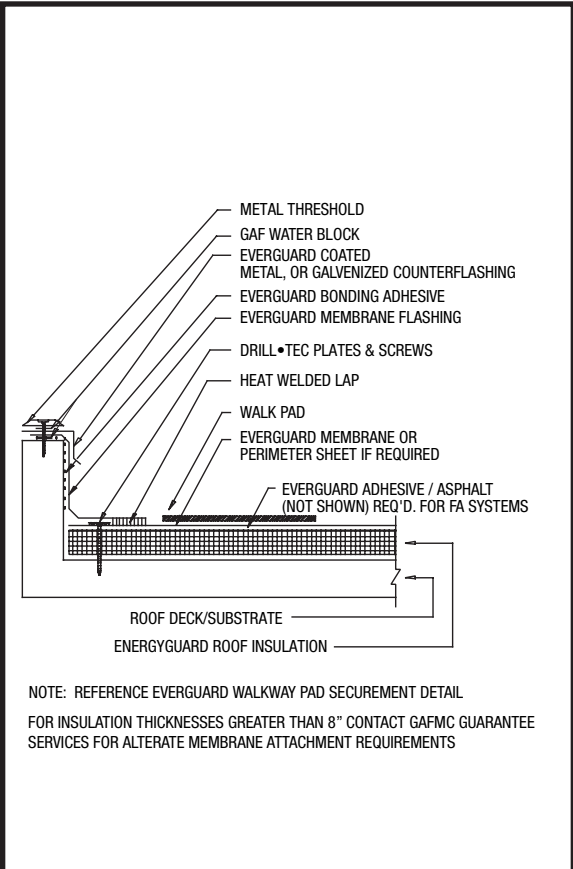


NOTE: REMEMBER TO INSTALL EVERGUARD UNREINFORCED OR PREMANUFACTURED OUTSIDE CORNERS TO THE SCUPPERS FOUR ROOF SIDE CORNERS

GAF EVERGUARD®	SYSTEM: MA/FA/BA
DATE: 10/19/04	DRAWING NUMBER: MA 311, FA 311, BA 311

**Roofing Details**  
 TPO & PVC

**THRESHOLD FLASHING**

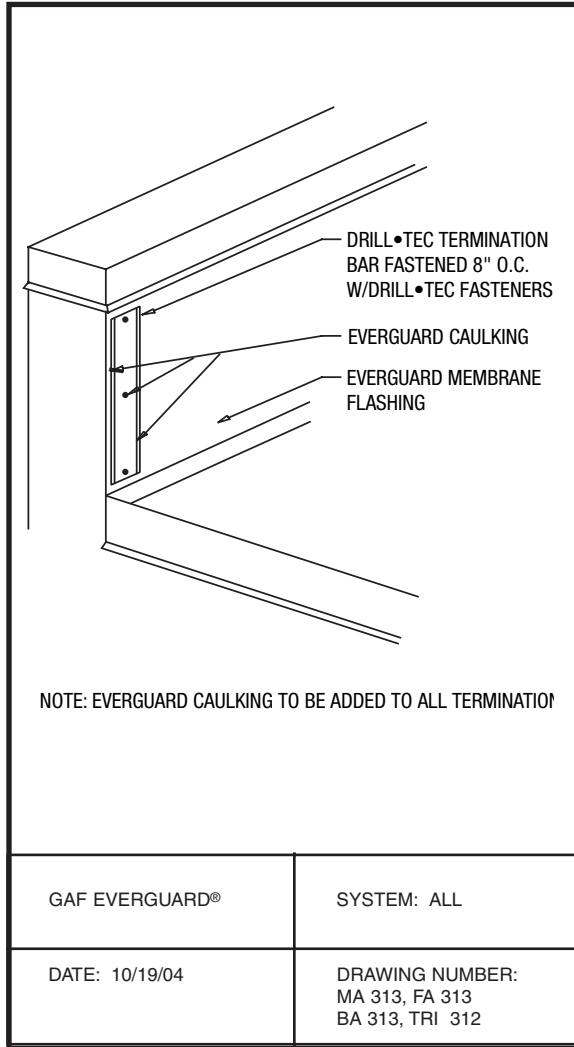


NOTE: REFERENCE EVERGUARD WALKWAY PAD SECUREMENT DETAIL  
 FOR INSULATION THICKNESSES GREATER THAN 8" CONTACT GAFMC GUARANTEE SERVICES FOR ALTERATE MEMBRANE ATTACHMENT REQUIREMENTS

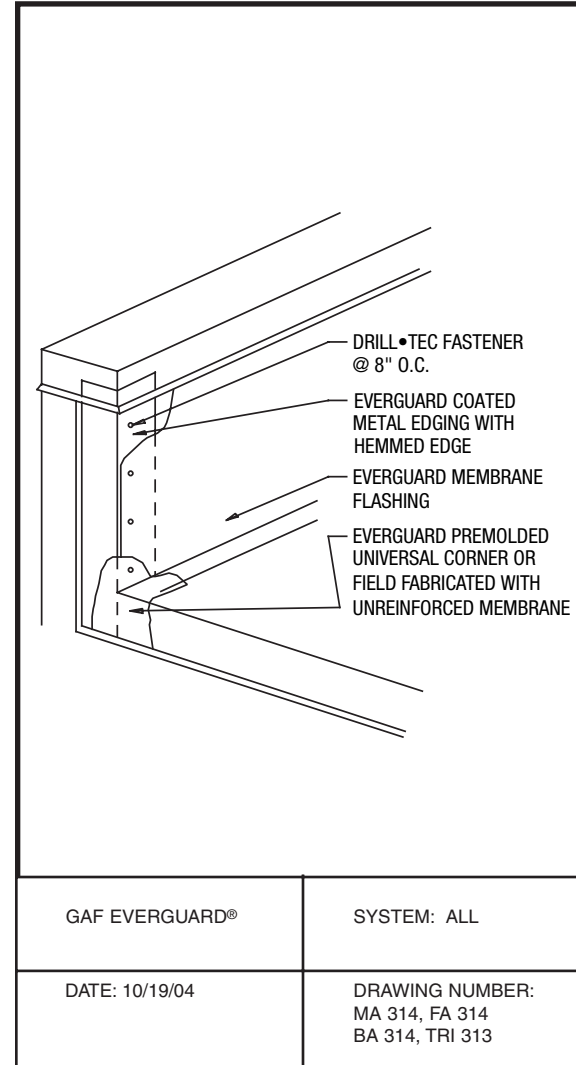
GAF EVERGUARD®	SYSTEM: MA/FA
DATE: 10/19/04	DRAWING NUMBER: MA 312, FA 312

**Roofing Details**  
 TPO & PVC

**WALL FLASHING WITH  
TERMINATION BAR**

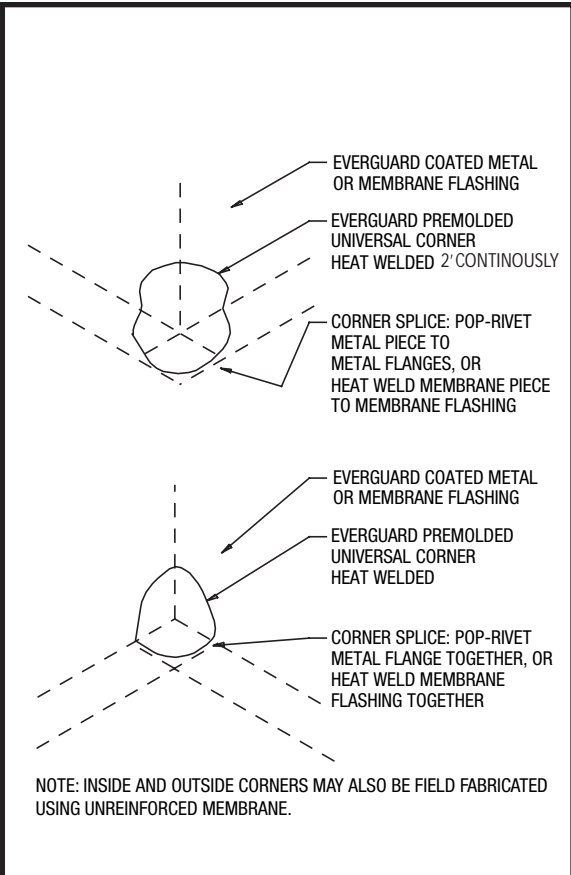


**WALL FLASHING WITH COATED  
METAL EDGE**



**Roofing Details**  
 TPO & PVC

**WALL/CURB CORNER  
REINFORCEMENT**



GAF EVERGUARD®	SYSTEM: ALL
DATE: 10/19/04	DRAWING NUMBER: MA 315, FA 315 BA 315, TRI 314

**Roofing Details**  
TPO & PVC