

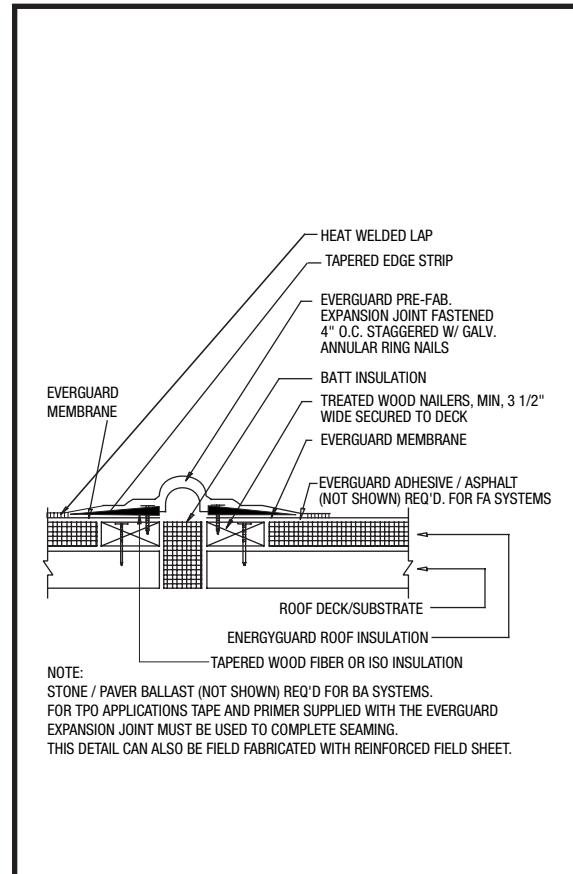
EverGuard® Mechanically Attached Roofing Details

Diagrams



*Quality You Can Trust Since 1886...
From North America's Largest Roofing Manufacturer™*

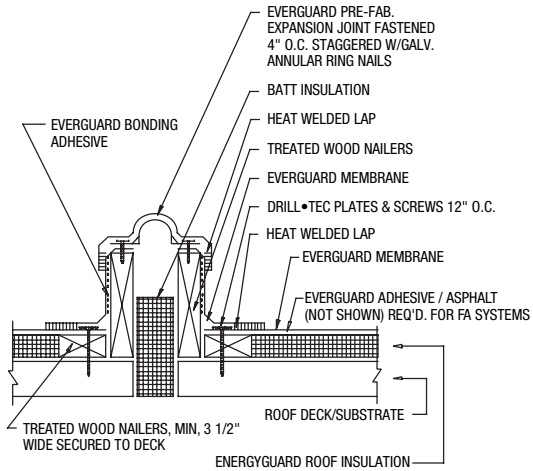
EXPANSION JOINT-FLAT TYPE



GAF EVERGUARD®	SYSTEM: MA/FA/BA
DATE: 10/19/04	DRAWING NUMBER: MA 401, FA 401, BA 401

Roofing Details
 TPO & PVC

EXPANSION JOINT – CURB TYPE



NOTE:
 STONE / PAVER BALLAST (NOT SHOWN) REQ'D FOR BA SYSTEMS.
 PLATES & SCREWS 8" O.C. REQ'D FOR BA SYSTEMS
 FOR TPO APPLICATIONS TAPE AND PRIMER SUPPLIED WITH THE EVERGUARD
 EXPANSION JOINT MUST BE USED TO COMPLETE SEAMING OF THE VERTICAL SEAM.
 THIS DETAIL CAN ALSO BE FIELD FABRICATED WITH REINFORCED FIELD SHEET.

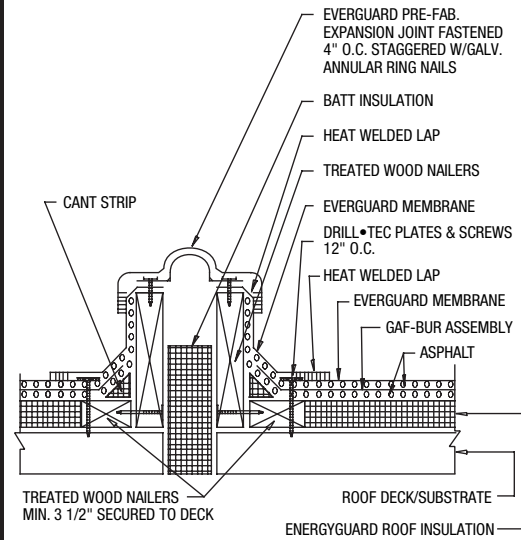
GAF EVERGUARD®

SYSTEM: MA/FA/BA

DATE: 10/19/04

DRAWING NUMBER:
 MA 402, FA 402, BA 402

EXPANSION JOINT – CURB TYPE



FOR TPO APPLICATIONS TAPE AND PRIMER SUPPLIED WITH THE EVERGUARD
 EXPANSION JOINT MUST BE USED TO COMPLETE SEAMING OF THE VERTICAL SEAM.
 THIS DETAIL CAN ALSO BE FIELD FABRICATED WITH REINFORCED FIELD SHEET.

GAF EVERGUARD®

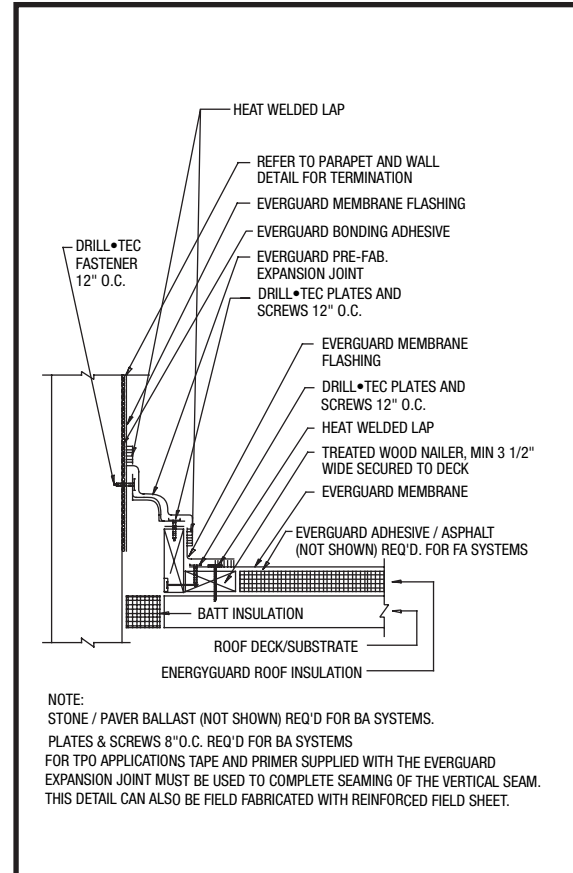
SYSTEM: TRI

DATE: 10/19/04

DRAWING NUMBER:
 TRI 402

Roofing Details
 TPO & PVC

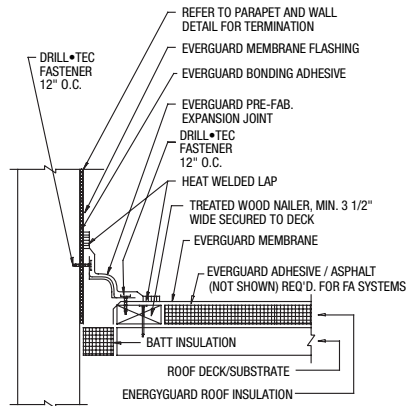
WALL EXPANSION JOINT – CURB TYPE



GAF EVERGUARD®	SYSTEM: MA/FA/BA
DATE: 10/19/04	DRAWING NUMBER: MA 404, FA 404, BA 404

Roofing Details
 TPO & PVC

WALL EXPANSION JOINT – FLAT TYPE



NOTE:
 STONE / PAVER BALLAST (NOT SHOWN) REQ'D FOR BA SYSTEMS.
 EVERGUARD ADHESIVE / FOR TPO APPLICATIONS TAPE AND PRIMER SUPPLIED WITH THE EVERGUARD
 EXPANSION JOINT MUST BE USED TO COMPLETE SEAMING OF THE VERTICAL SEAM.
 THIS DETAIL CAN ALSO BE FIELD FABRICATED WITH REINFORCED FIELD SHEET.

GAF EVERGUARD®

SYSTEM: MA/FA/BA

DATE: 10/19/04

DRAWING NUMBER:
 MA 403, FA 403, BA 403