

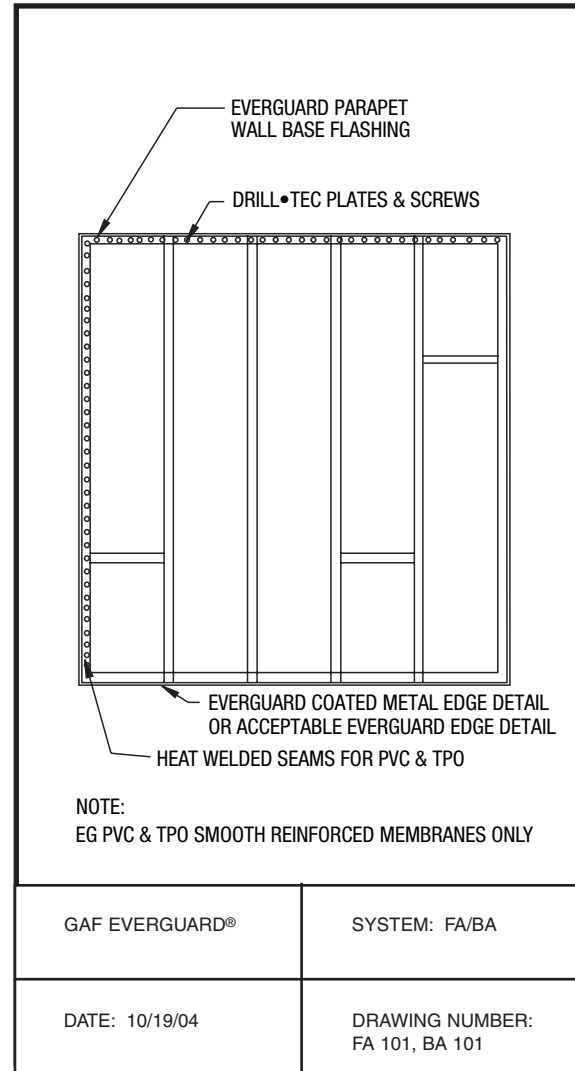
EverGuard® Fully Adhered Roofing Details

Diagrams



*Quality You Can Trust Since 1886...
From North America's Largest Roofing Manufacturer™*

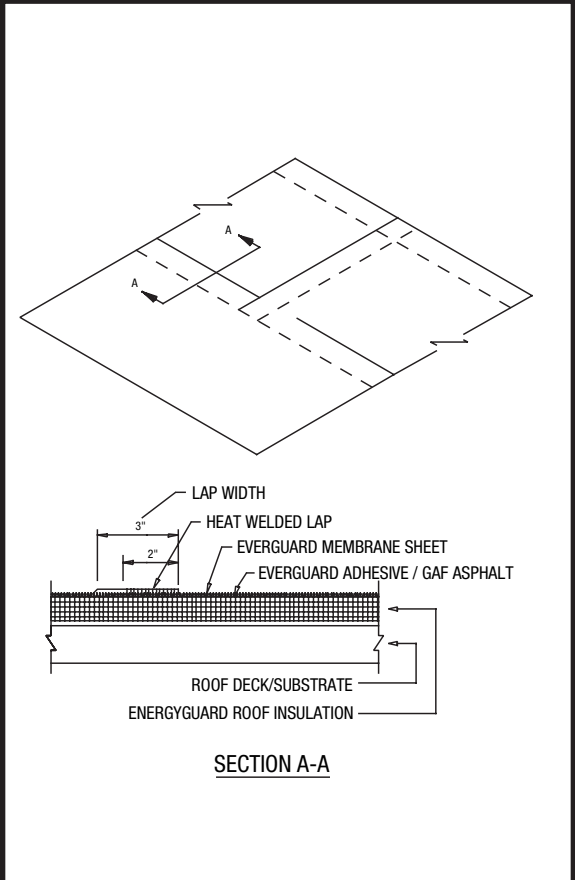
ROOF MEMBRANE LAYOUT



Roofing Details

TPO & PVC

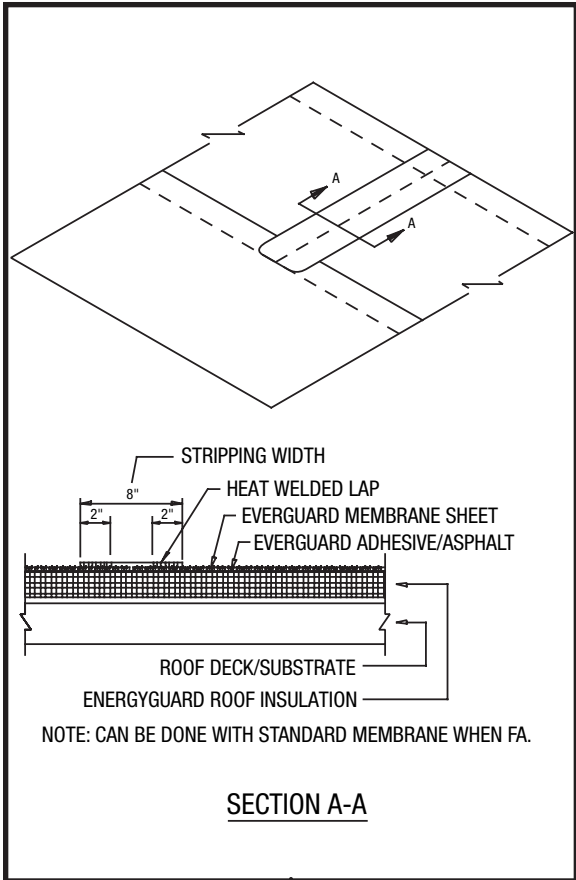
SIDE LAP



GAF EVERGUARD®	SYSTEM: FA/TRI/BA
DATE: 10/19/04	DRAWING NUMBER: FA 103, BA 102, TRI 103

Roofing Details
TPO & PVC

FLEECE-BACK END LAP



GAF EVERGUARD®

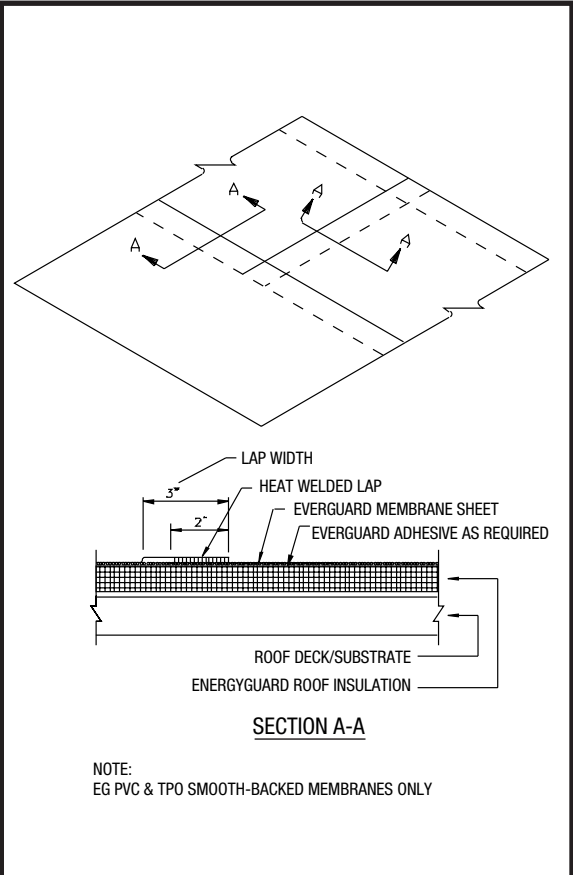
SYSTEM: FA/TRI

DATE: 10/19/04

DRAWING NUMBER:
FA 104, TRI 104

Roofing Details
TPO & PVC

END/SIDE LAP

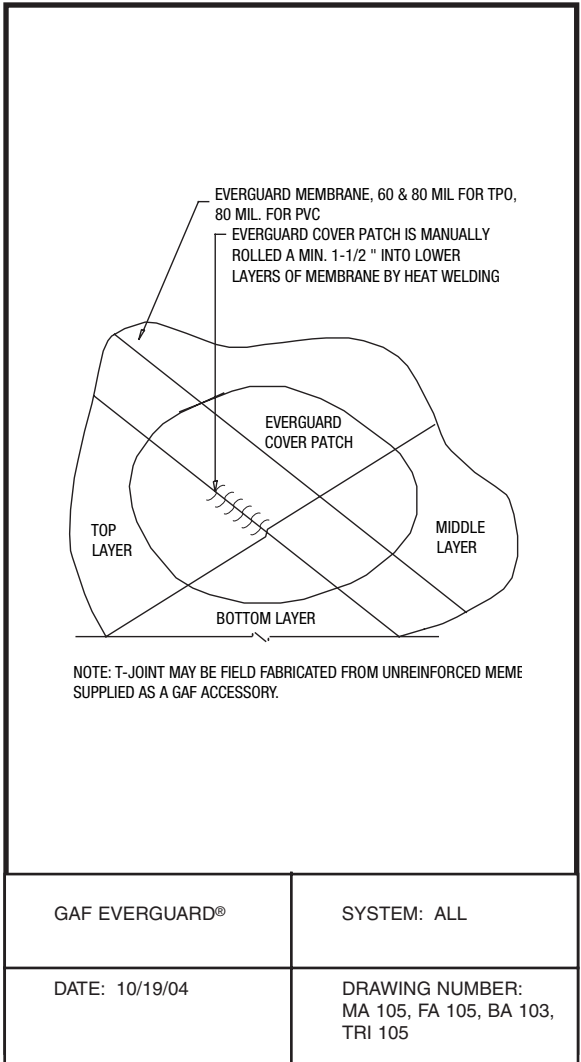


NOTE:
EG PVC & TPO SMOOTH-BACKED MEMBRANES ONLY

GAF EVERGUARD®	SYSTEM: FA/BA
DATE: 10/19/04	DRAWING NUMBER: FA 104

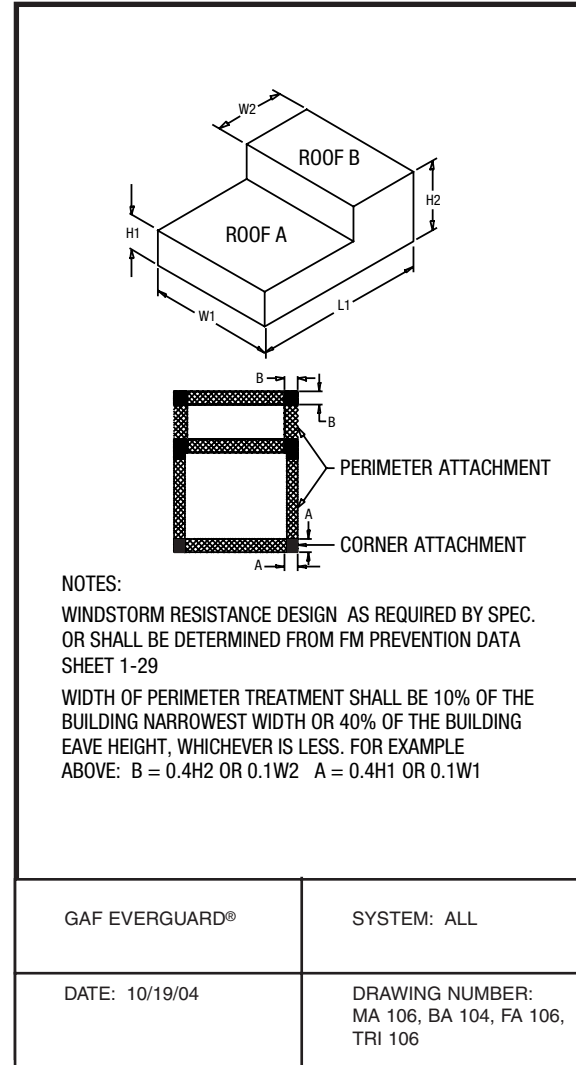
Roofing Details
TPO & PVC

T-JOINT COVER PATCH DETAIL



Roofing Details
 TPO & PVC

ROOF AREA ZONE LAYOUT



NOTES:
 WINDSTORM RESISTANCE DESIGN AS REQUIRED BY SPEC.
 OR SHALL BE DETERMINED FROM FM PREVENTION DATA
 SHEET 1-29
 WIDTH OF PERIMETER TREATMENT SHALL BE 10% OF THE
 BUILDING NARROWEST WIDTH OR 40% OF THE BUILDING
 EAVE HEIGHT, WHICHEVER IS LESS. FOR EXAMPLE
 ABOVE: B = 0.4H2 OR 0.1W2 A = 0.4H1 OR 0.1W1

GAF EVERGUARD®

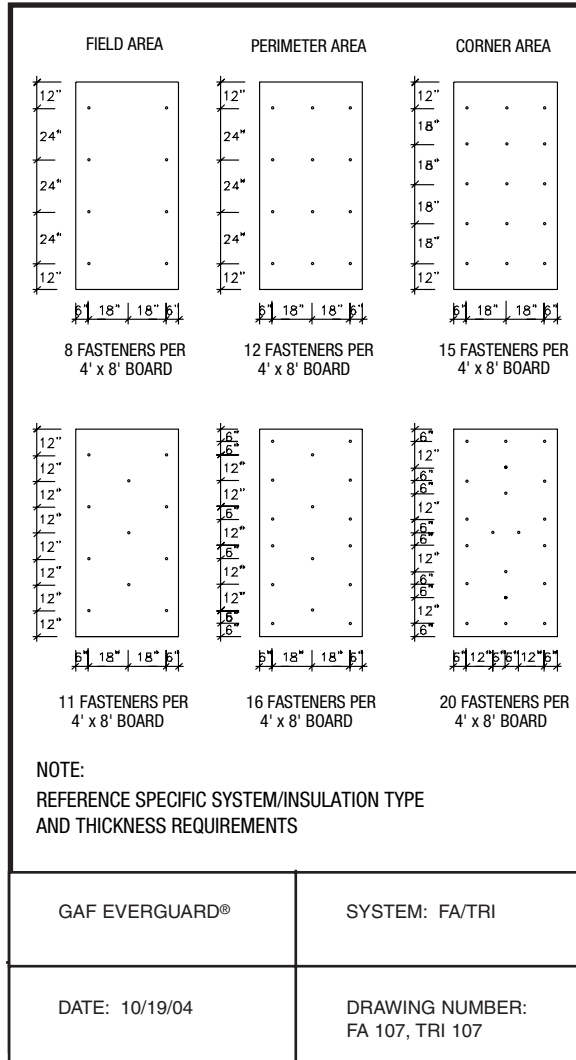
SYSTEM: ALL

DATE: 10/19/04

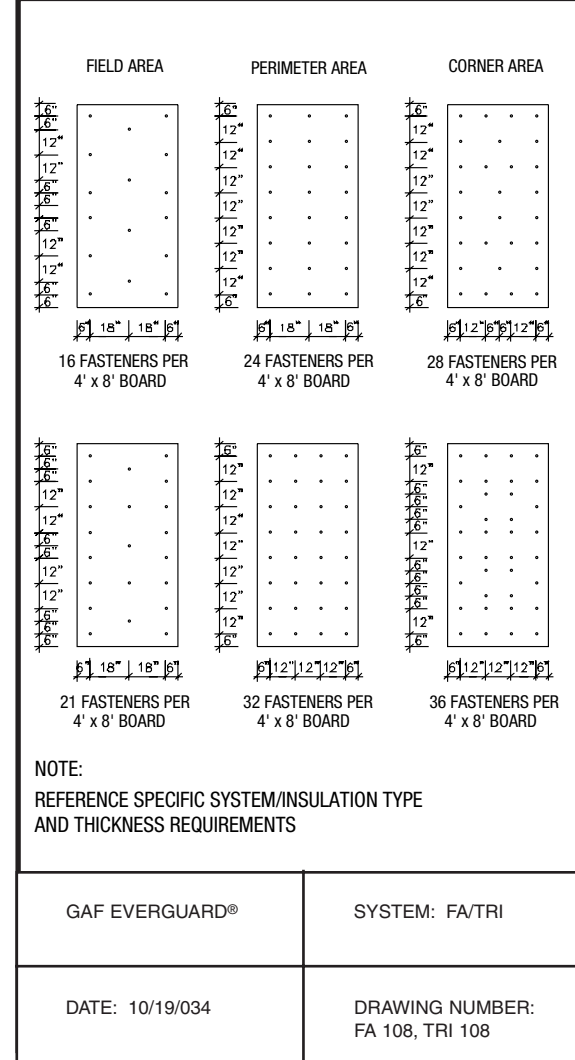
DRAWING NUMBER:
 MA 106, BA 104, FA 106,
 TRI 106

Roofing Details
 TPO & PVC

INSULATION FASTENING PATTERNS

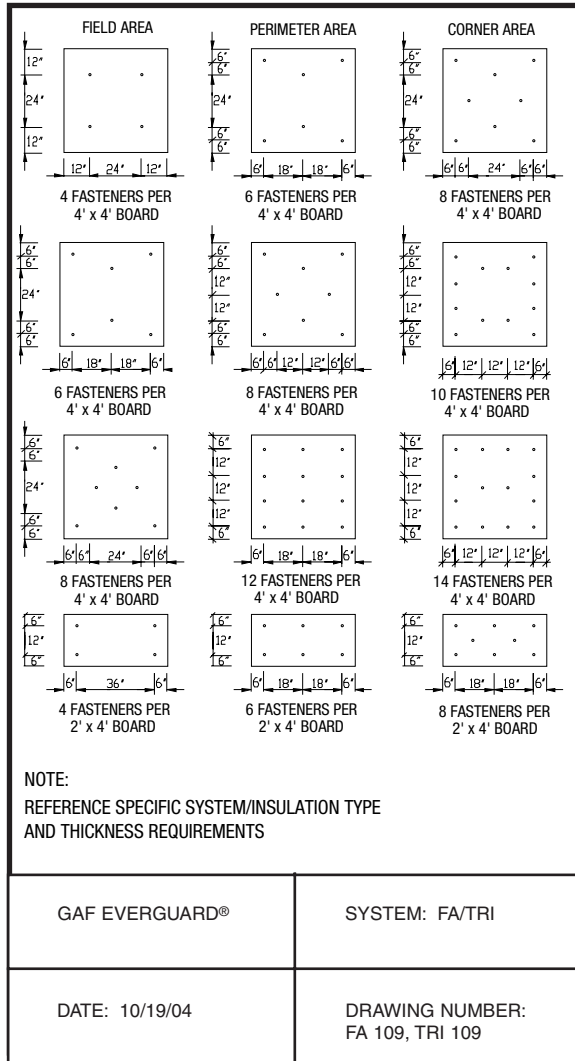


INSULATION FASTENING PATTERNS



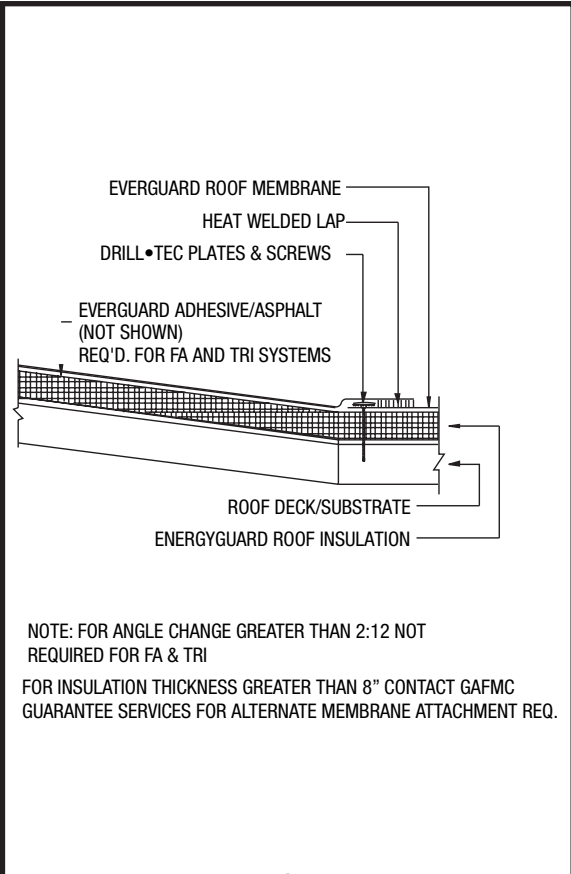
Roofing Details
TPO & PVC

INSULATION FASTENING PATTERNS



**Roofing
Details**
TPO & PVC

CHANGE OF PLANE DETAIL

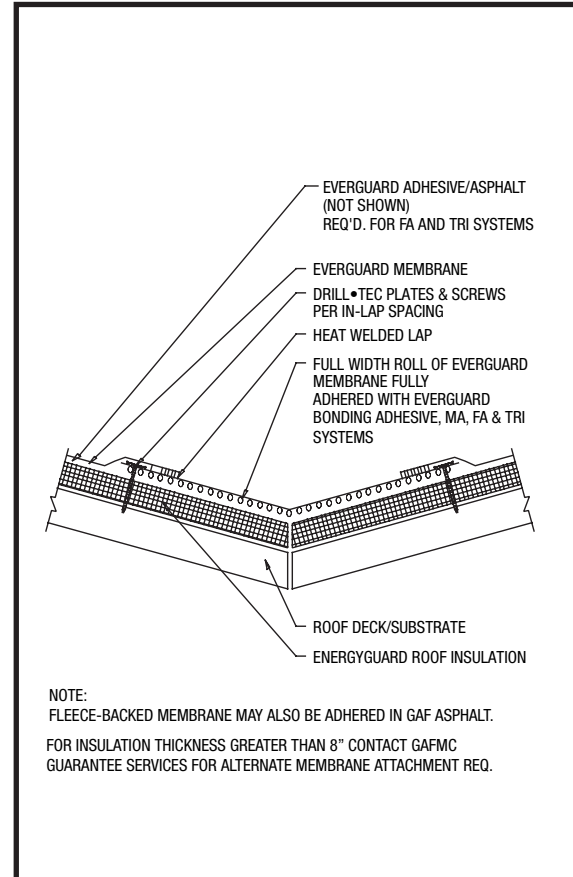


NOTE: FOR ANGLE CHANGE GREATER THAN 2:12 NOT
 REQUIRED FOR FA & TRI
 FOR INSULATION THICKNESS GREATER THAN 8" CONTACT GAFMC
 GUARANTEE SERVICES FOR ALTERNATE MEMBRANE ATTACHMENT REQ.

GAF EVERGUARD®	SYSTEM: MA/FA/TRI
DATE: 10/19/04	DRAWING NUMBER: MA 108, FA 112, TRI 112

Roofing Details
 TPO & PVC

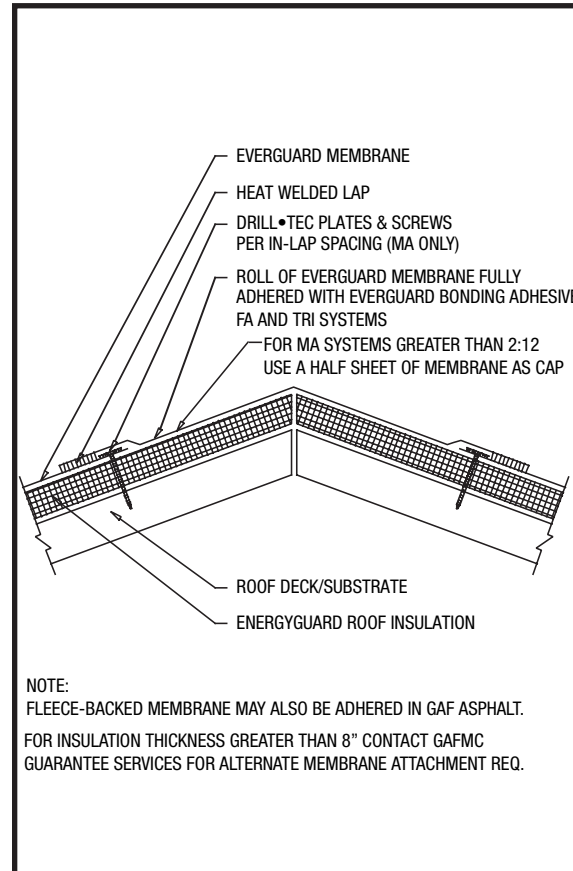
VALLEY DETAIL



GAF EVERGUARD®	SYSTEM: MA/FA/TRI
DATE: 10/19/04	DRAWING NUMBER: MA 109, FA 113, TRI 113

Roofing Details
 TPO & PVC

RIDGE DETAIL



GAF EVERGUARD®	SYSTEM: MA/FA/TRI
DATE: 10/19/04	DRAWING NUMBER: MA 110, FA 114, TRI 114

Roofing Details
 TPO & PVC