

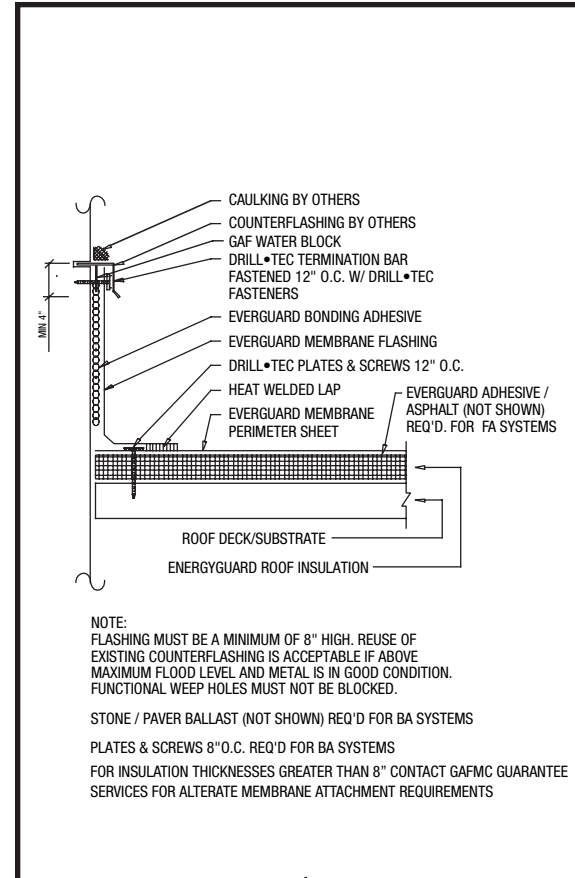
EverGuard® Fully Adhered Roofing Details

Diagrams



*Quality You Can Trust Since 1886...
From North America's Largest Roofing Manufacturer™*

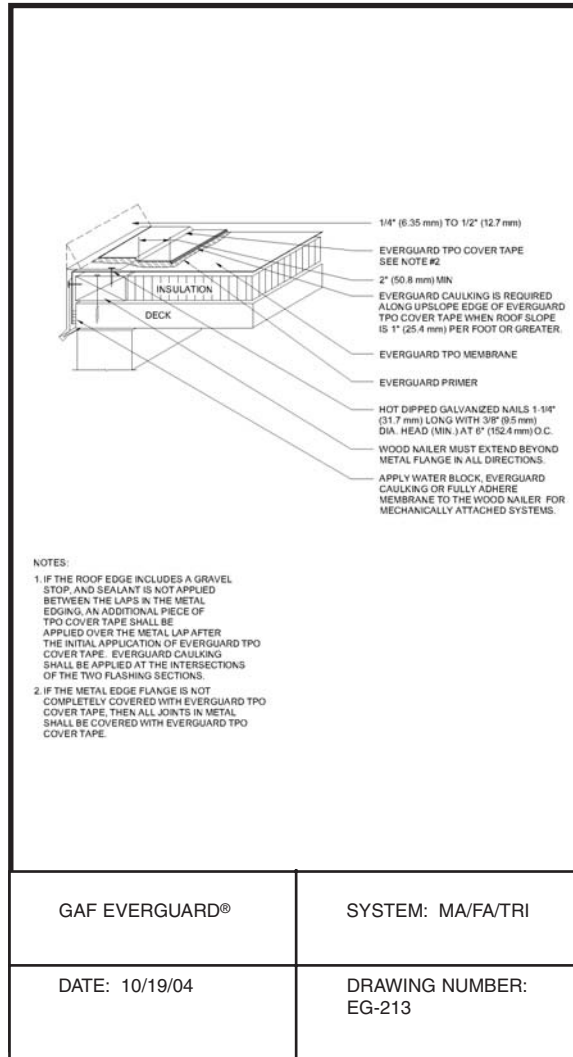
WALL FLASHING WITH COUNTERFLASHING



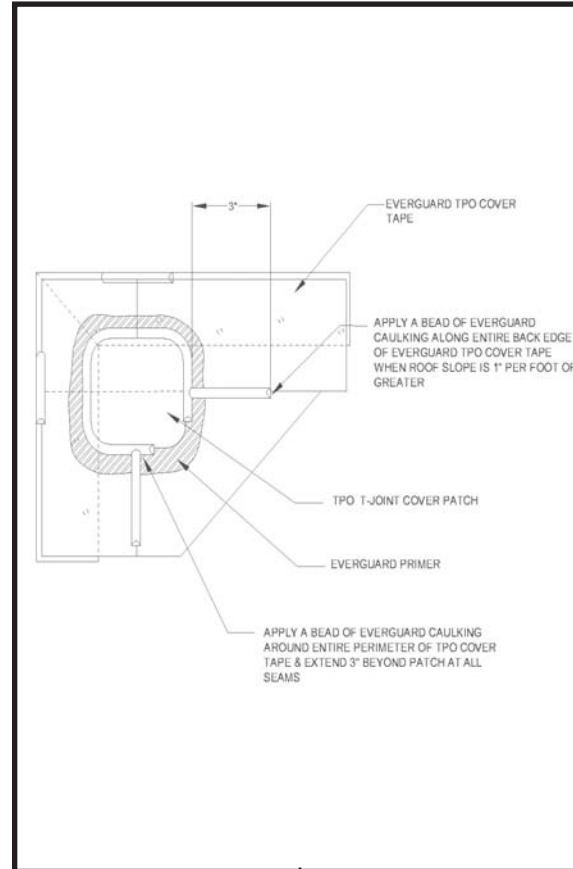
| | |
|----------------|---|
| GAF EVERGUARD® | SYSTEM: MA/FA/BA |
| DATE: 10/19/04 | DRAWING NUMBER: MA 301, FA 301, BA 301 |

Roofing Details
 TPO & PVC

ROOF EDGE WITH TPO COVER TAPE



T-JOINT AT EDGE CORNER



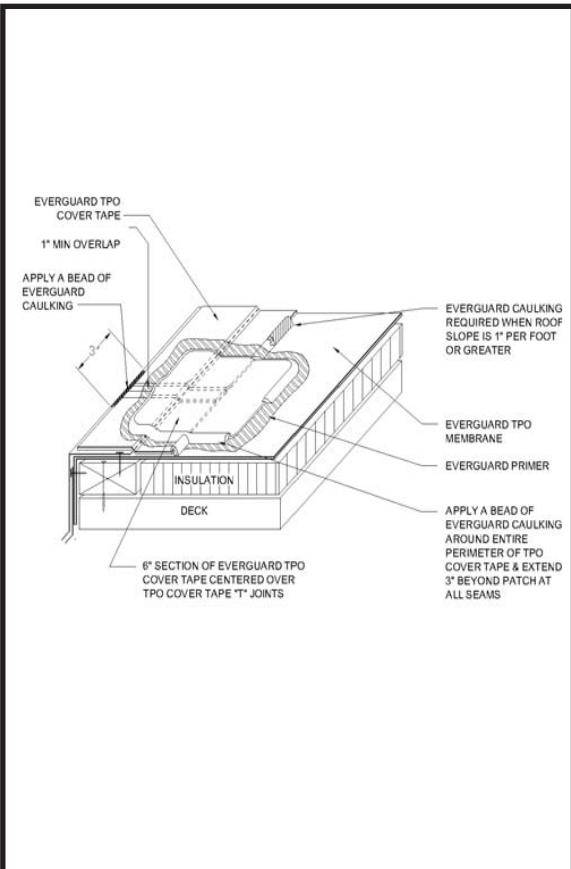
GAF EVERGUARD®

SYSTEM: MA/FA/TRI

DATE: 10/19/04

DRAWING NUMBER:
EG-216

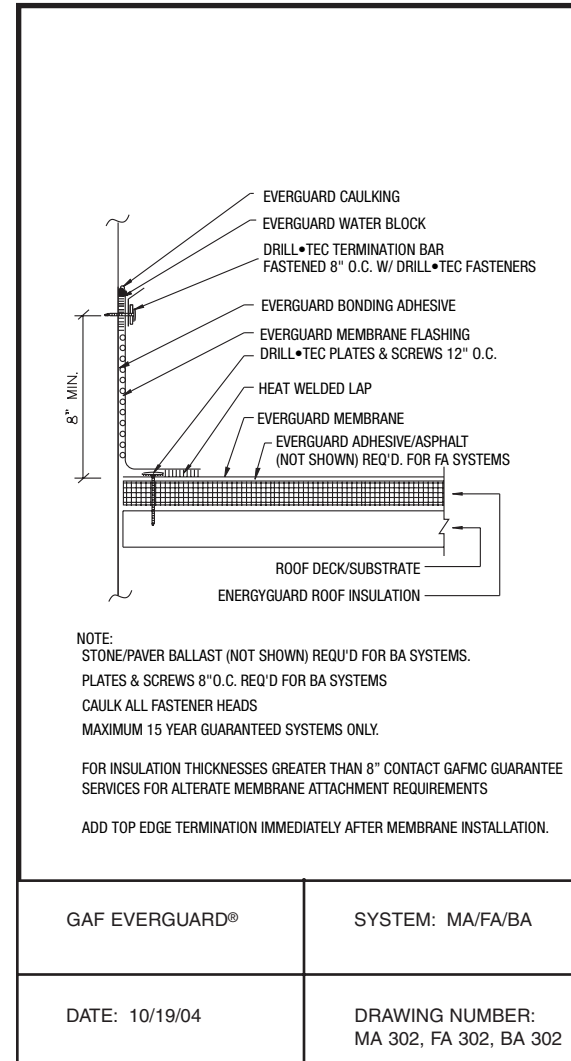
**TPO COVER TAPE OVERLAP AT
ROOF EDGE**



| | |
|----------------|---------------------------|
| GAF EVERGUARD® | SYSTEM: MA/FA/TRI |
| DATE: 10/19/04 | DRAWING NUMBER: EG-215 |

Roofing Details
TPO & PVC

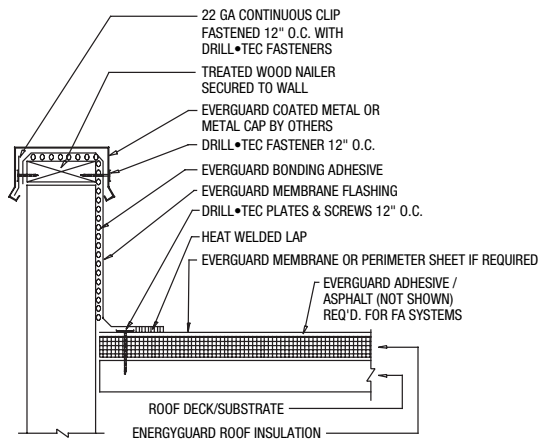
WALL FLASHING WITH TERMINATION BAR



Roofing Details

TPO & PVC

WALL FLASHING WITH COPING



NOTE:
PLATES & SCREWS 8" O.C. REQ'D FOR BA SYSTEMS

FOR INSULATION THICKNESSES GREATER THAN 8" CONTACT GAFMC GUARANTEE
SERVICES FOR ALTERATE MEMBRANE ATTACHMENT REQUIREMENTS

GAF EVERGUARD®

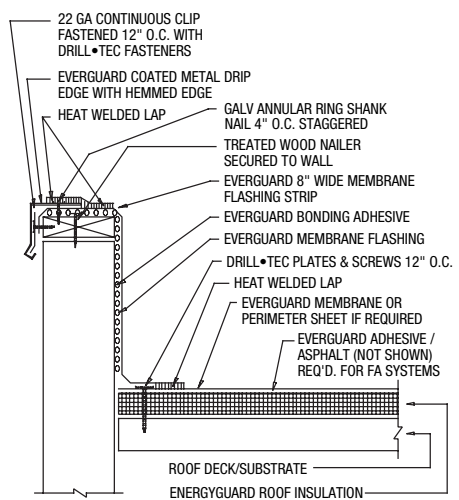
SYSTEM: MA/FA/BA

DATE: 10/19/04

DRAWING NUMBER:
MA 303, FA 303, BA 303

Roofing Details
TPO & PVC

WALL FLASHING WITH COATED METAL EDGE



NOTE:
STONE / PAVER BALLAST (NOT SHOWN) REQ'D FOR BA SYSTEMS
PLATES & SCREWS 8" O.C. REQ'D FOR BA SYSTEMS

FOR INSULATION THICKNESSES GREATER THAN 8" CONTACT GAFMC GUARANTEE
SERVICES FOR ALTERATE MEMBRANE ATTACHMENT REQUIREMENTS

NOTE: CONTINUOUS HOOK STRIP NEEDED ONLY IF FACE OF METAL EXCEEDS 4"

GAF EVERGUARD®

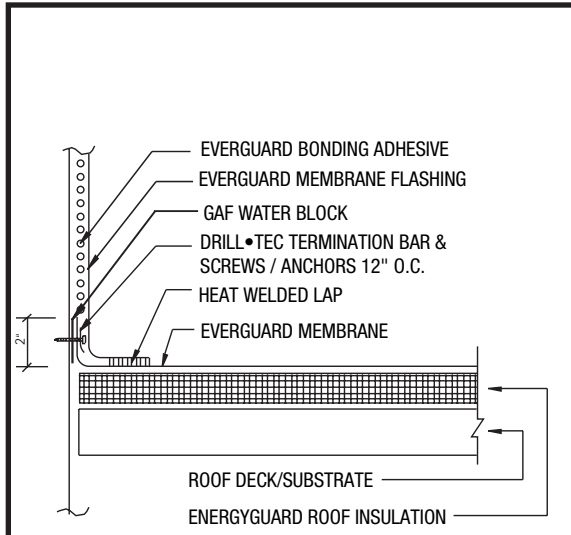
SYSTEM: MA/FA/BA

DATE: 10/19/04

DRAWING NUMBER:
MA 304, FA 304, BA 304

Roofing Details
TPO & PVC

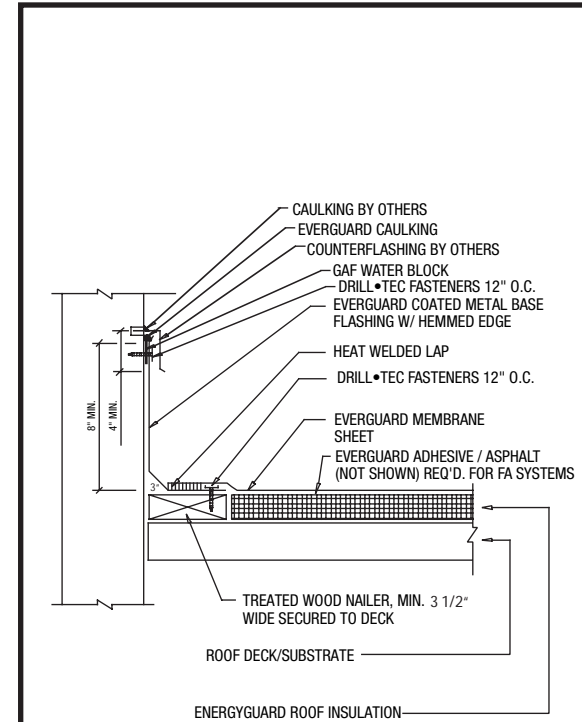
ALTERNATE WALL BASE TERMINATION



NOTE:
 ALTERNATIVE WALL FLASHING BASE TERMINATION
 SUITABLE FOR 301 THROUGH 307 IN LIEU OF
 DRILL•TEC PLATES AND SCREWS INTO ROOF DECK.
 SCREWS / ANCHORS 8" O.C. REQ'D FOR BA SYSTEMS.
 *REQUIRED ON BUILDINGS WITH HIGH INTERNAL AIR PRESSURES.

| | |
|----------------|---|
| GAF EVERGUARD® | SYSTEM: ALL |
| DATE: 10/19/04 | DRAWING NUMBER: MA 307, FA 307, BA 307, TRI 306 |

COATED METAL WALL FLASHING

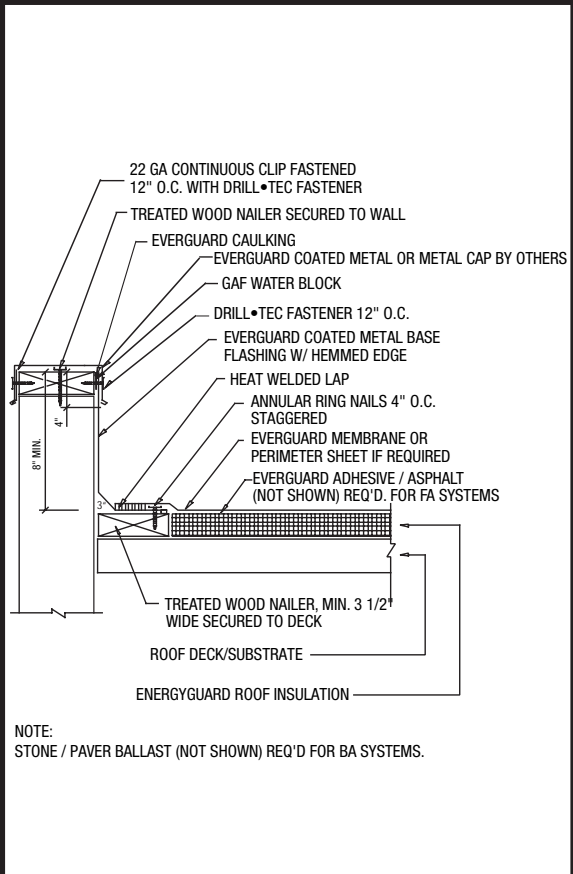


NOTE:
 STONE/PAVER BALLAST (NOT SHOWN) REQ'D FOR BA SYSTEMS.

| | |
|----------------|---|
| GAF EVERGUARD® | SYSTEM: MA/FA/BA |
| DATE: 10/19/04 | DRAWING NUMBER: MA 308, FA 308, BA 308 |

Roofing Details
 TPO & PVC

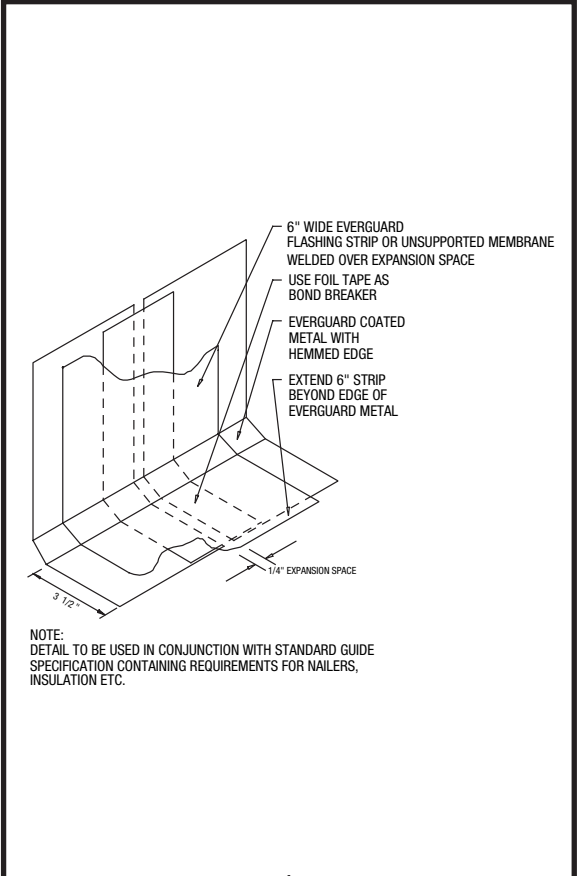
COATED METAL CAP FLASHING



| | |
|----------------|---|
| GAF EVERGUARD® | SYSTEM: MA/FA/BA |
| DATE: 10/19/04 | DRAWING NUMBER: MA 309, FA 309, BA 308 |

Roofing Details
 TPO & PVC

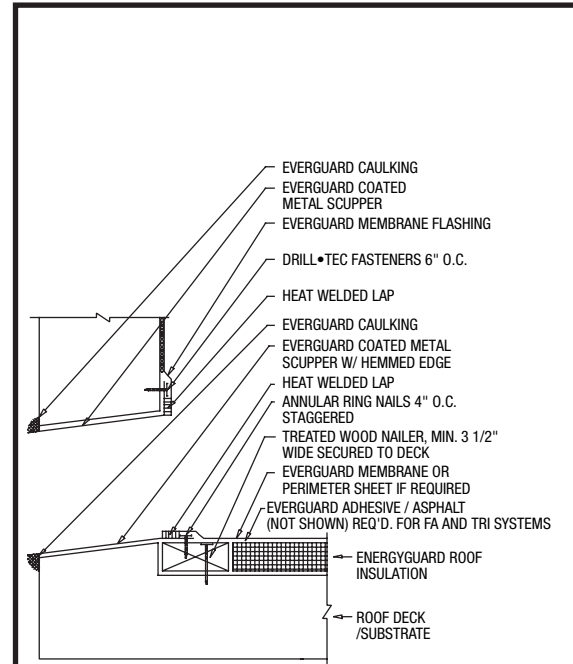
COATED METAL JOINT DETAIL



| | |
|----------------|---|
| GAF EVERGUARD® | SYSTEM: ALL |
| DATE: 10/19/04 | DRAWING NUMBER: MA 310, FA 310, BA 310, TRI 309 |

Roofing Details
TPO & PVC

COATED METAL WALL SCUPPER

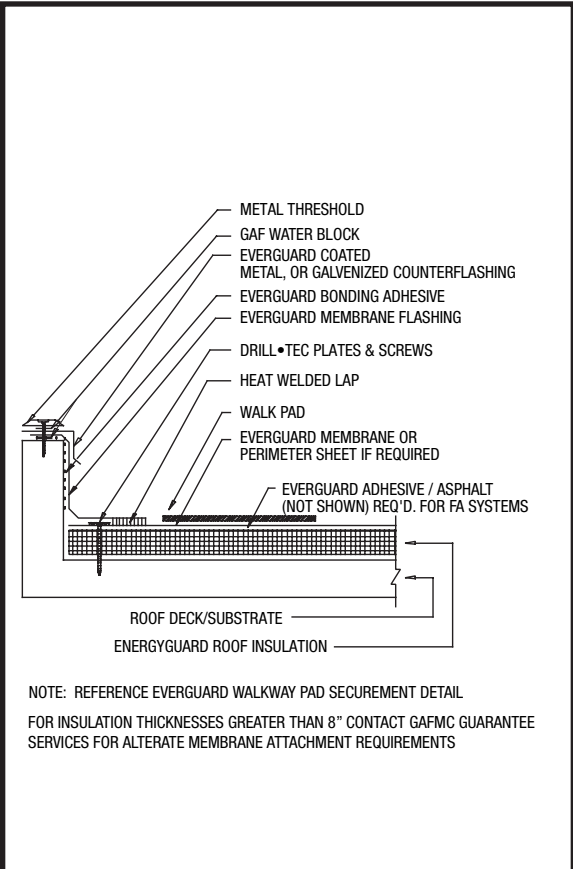


NOTE: REMEMBER TO INSTALL EVERGUARD UNREINFORCED OR PREMANUFACTURED OUTSIDE CORNERS TO THE SCUPPERS FOUR ROOF SIDE CORNERS

| | |
|----------------|---|
| GAF EVERGUARD® | SYSTEM: MA/FA/BA |
| DATE: 10/19/04 | DRAWING NUMBER: MA 311, FA 311, BA 311 |

Roofing Details
 TPO & PVC

THRESHOLD FLASHING

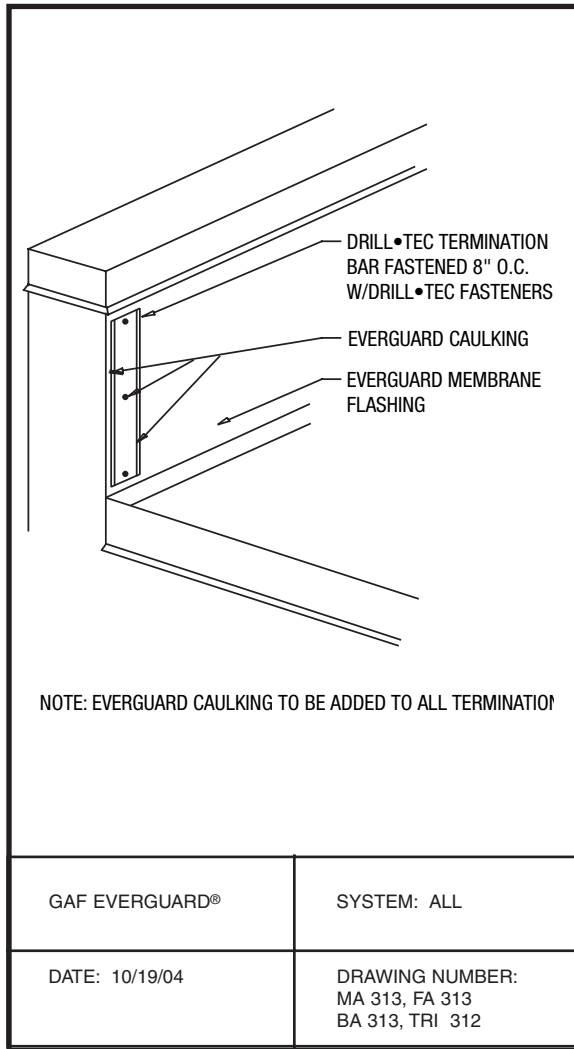


NOTE: REFERENCE EVERGUARD WALKWAY PAD SECUREMENT DETAIL
 FOR INSULATION THICKNESSES GREATER THAN 8" CONTACT GAFMC GUARANTEE SERVICES FOR ALTERATE MEMBRANE ATTACHMENT REQUIREMENTS

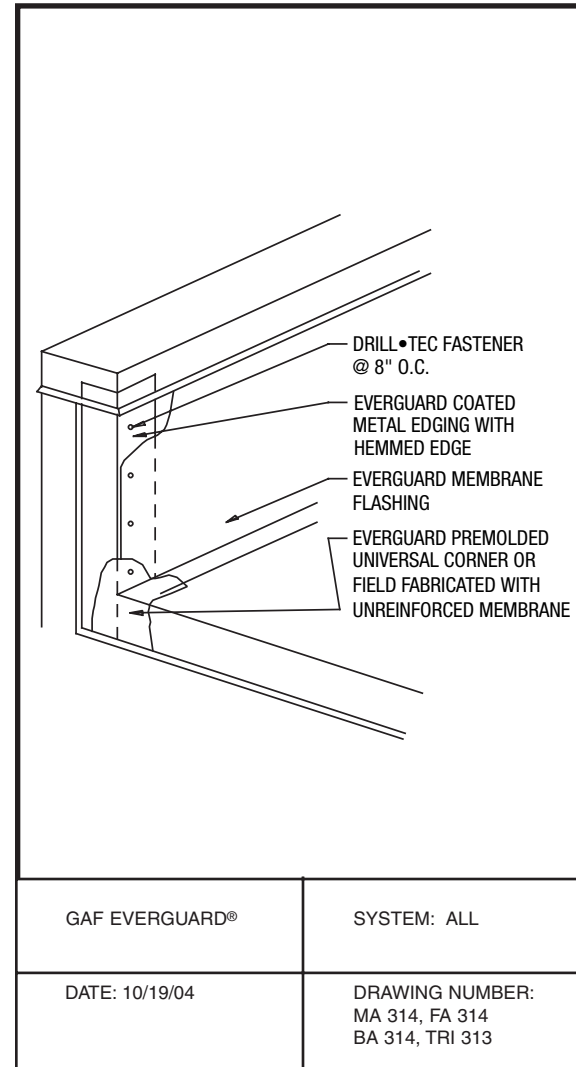
| | |
|----------------|-----------------------------------|
| GAF EVERGUARD® | SYSTEM: MA/FA |
| DATE: 10/19/04 | DRAWING NUMBER: MA 312, FA 312 |

Roofing Details
 TPO & PVC

**WALL FLASHING WITH
TERMINATION BAR**

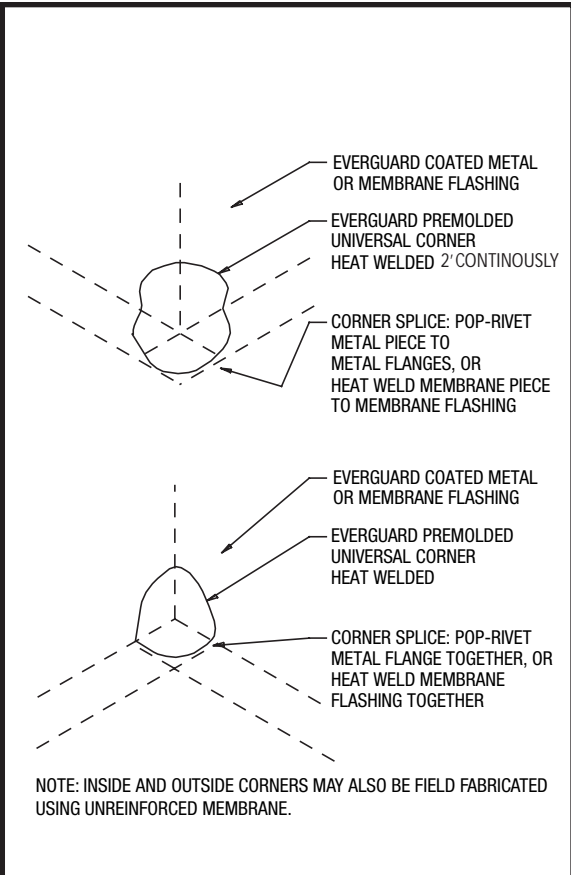


**WALL FLASHING WITH COATED
METAL EDGE**



Roofing Details
TPO & PVC

**WALL/CURB CORNER
REINFORCEMENT**



GAF EVERGUARD®

SYSTEM: ALL

DATE: 10/19/04

DRAWING NUMBER:
MA 315, FA 315
BA 315, TRI 314