

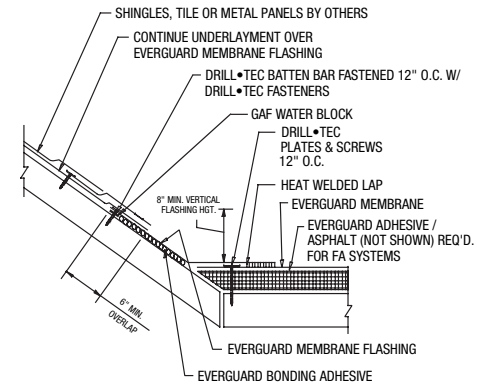
EverGuard® Fully Adhered Roofing Details

Diagrams



*Quality You Can Trust Since 1886...
From North America's Largest Roofing Manufacturer™*

TERMINATION AT SLOPED ROOF



NOTE :
 MINIMUM SLOPE IS 3" : 12"
 STONE /PAVER BALLAST (NOT SHOWN) REQ'D FOR BA SYSTEMS
 PLATES & SCREWS 8" O.C. REQ'D FOR BA SYSTEMS
 FOR INSULATION THICKNESSES GREATER THAN 8" CONTACT GAFMC GUARANTEE SERVICES FOR ALTERATE MEMBRANE ATTACHMENT REQUIREMENTS

GAF EVERGUARD®

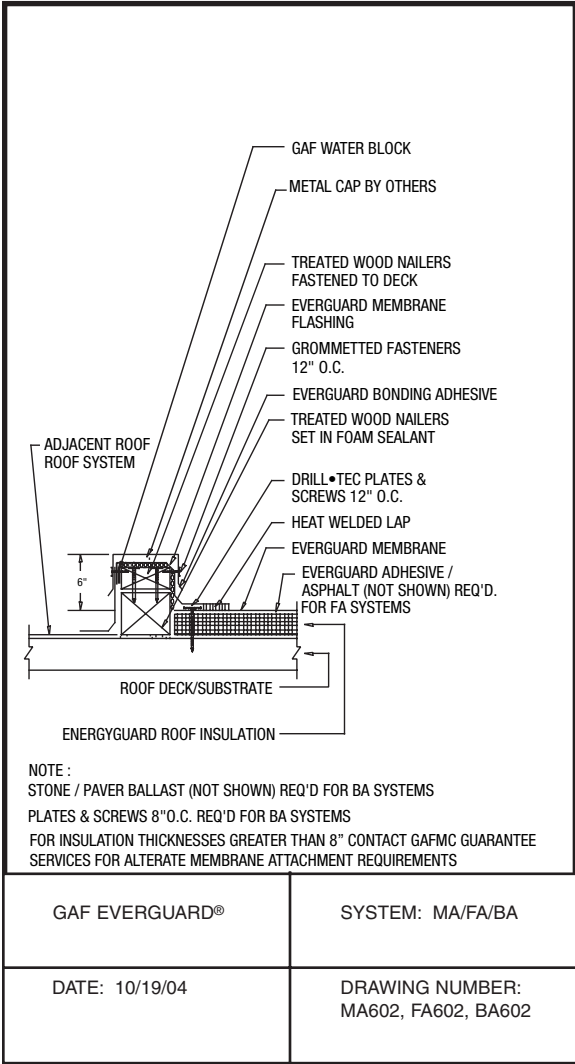
SYSTEM: MA/FA/BA

DATE: 10/19/04

DRAWING NUMBER:
 MA 601, FA 601, BA 601

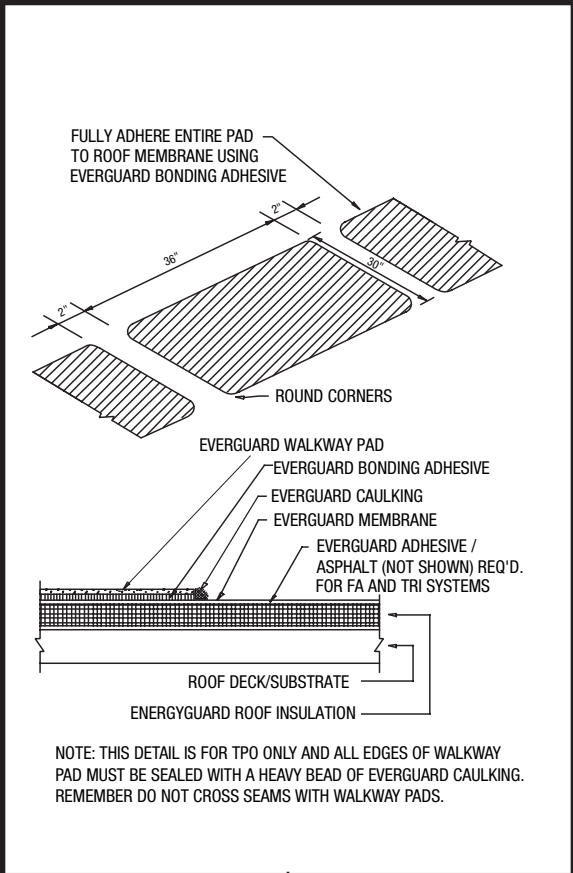
Roofing Details
 TPO & PVC

TERMINATION AT FLAT ROOF



Roofing Details
 TPO & PVC

ADHERED WALKWAY INSTALLATION

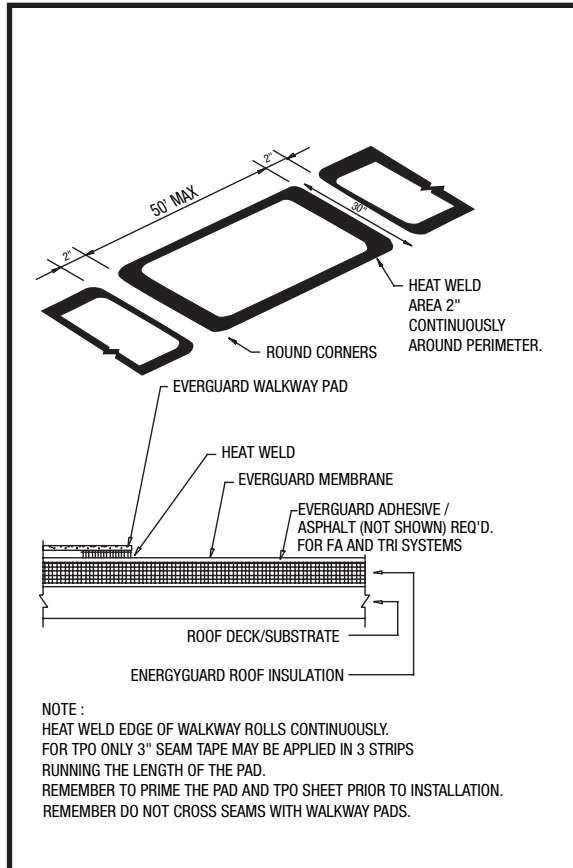


NOTE: THIS DETAIL IS FOR TPO ONLY AND ALL EDGES OF WALKWAY PAD MUST BE SEALED WITH A HEAVY BEAD OF EVERGUARD CAULKING. REMEMBER DO NOT CROSS SEAMS WITH WALKWAY PADS.

| | |
|----------------|--------------------------------------------|
| GAF EVERGUARD® | SYSTEM: MA/FA/TRI |
| DATE: 10/19/04 | DRAWING NUMBER: MA 603, FA 603, TRI 603 |

Roofing Details
TPO & PVC

HEAT WELDED WALKWAY INSTALLATION



GAF EVERGUARD®

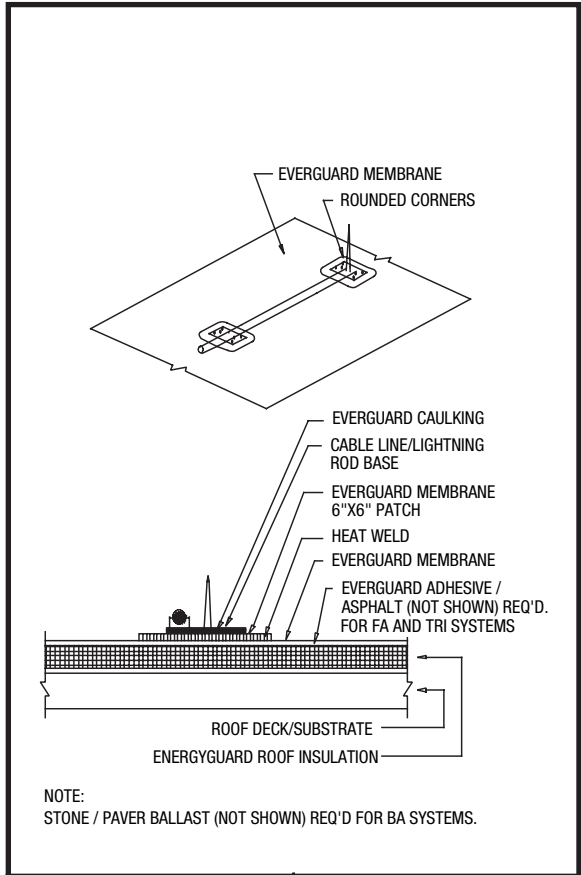
SYSTEM: MA/FA/TRI

DATE: 10/19/04

DRAWING NUMBER:
MA 604, FA 604, TRI 604

Roofing Details
TPO & PVC

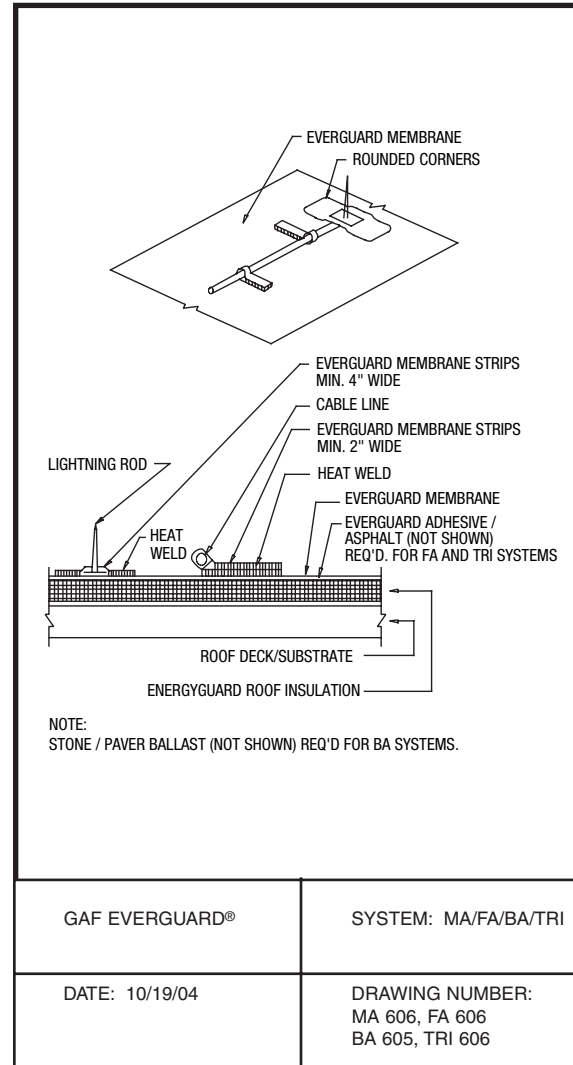
**ADHERED LIGHTNING SUPPRESSION
MOUNTING**



| | |
|-----------------|------------------------------------------------------|
| GAF EVERGUARD® | SYSTEM: MA/FA/BA/TRI |
| DATE: 010/19/04 | DRAWING NUMBER: MA 605, FA 605 BA 604, TRI 605 |

Roofing Details
TPO & PVC

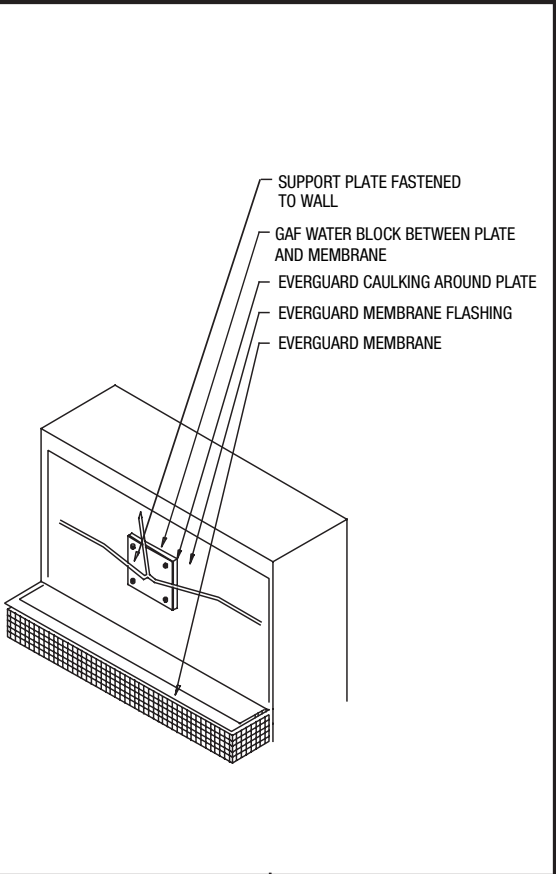
LOOPED LIGHTNING SUPPRESSION MOUNTING



Roofing Details

TPO & PVC

**FASTENED LIGHTNING
SUPPRESSION MOUNTING**



- SUPPORT PLATE FASTENED TO WALL
- GAF WATER BLOCK BETWEEN PLATE AND MEMBRANE
- EVERGUARD CAULKING AROUND PLATE
- EVERGUARD MEMBRANE FLASHING
- EVERGUARD MEMBRANE

GAF EVERGUARD®

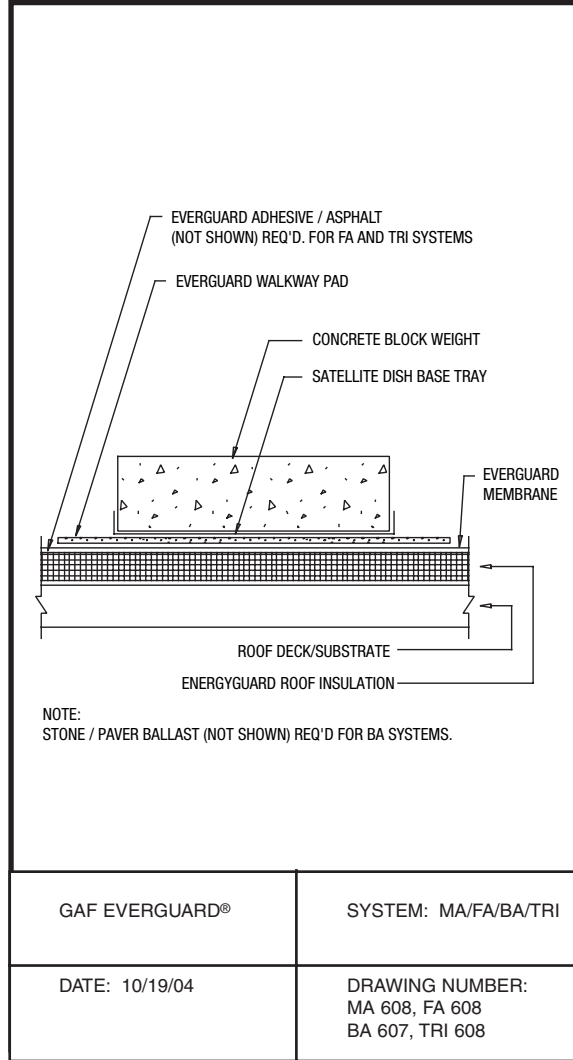
SYSTEM: ALL

DATE: 10/19/04

DRAWING NUMBER:
MA 607, FA 607
BA 606, TRI 607

Roofing Details
TPO & PVC

SATELLITE DISH MOUNTING



Roofing Details
TPO & PVC