

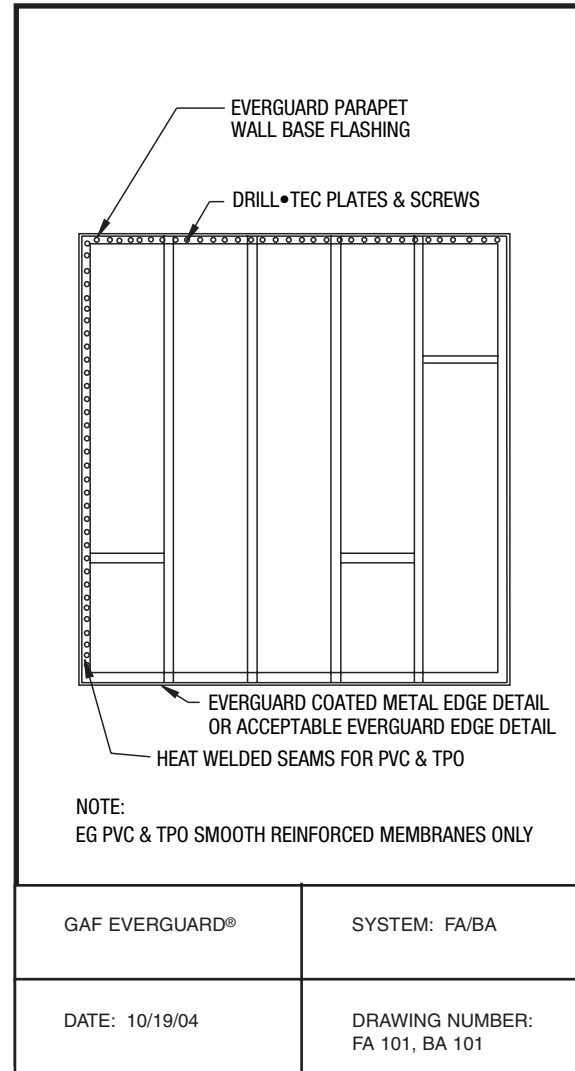
# EverGuard® Ballast Applied Roofing Details

## Diagrams



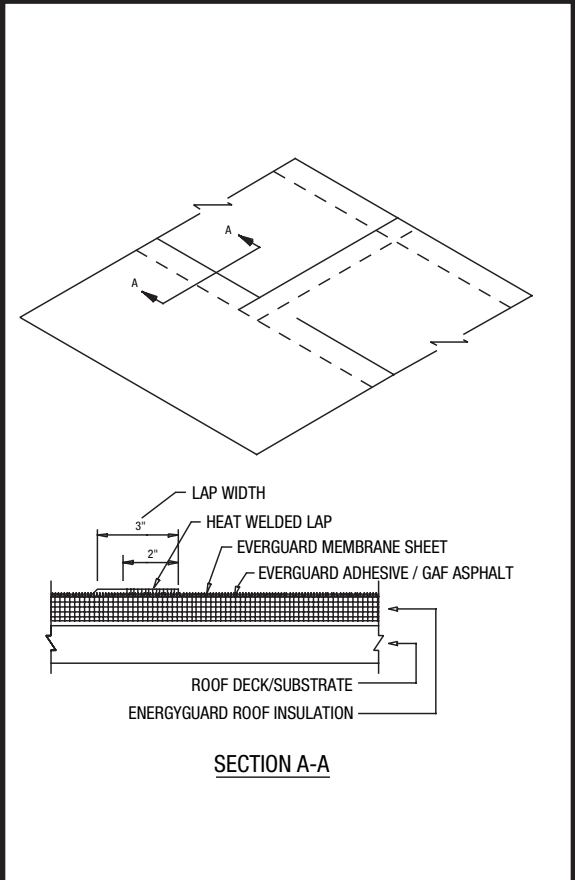
*Quality You Can Trust Since 1886...  
From North America's Largest Roofing Manufacturer™*

## ROOF MEMBRANE LAYOUT



**Roofing Details**  
TPO & PVC

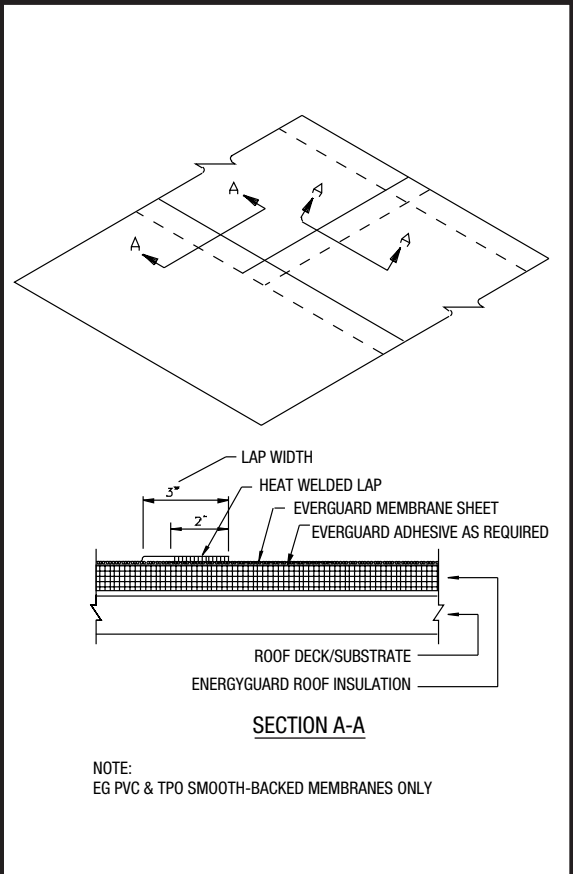
**SIDE LAP**



GAF EVERGUARD®	SYSTEM: FA/TRI/BA
DATE: 10/19/04	DRAWING NUMBER: FA 103, BA 102, TRI 103

**Roofing Details**  
TPO & PVC

**END/SIDE LAP**

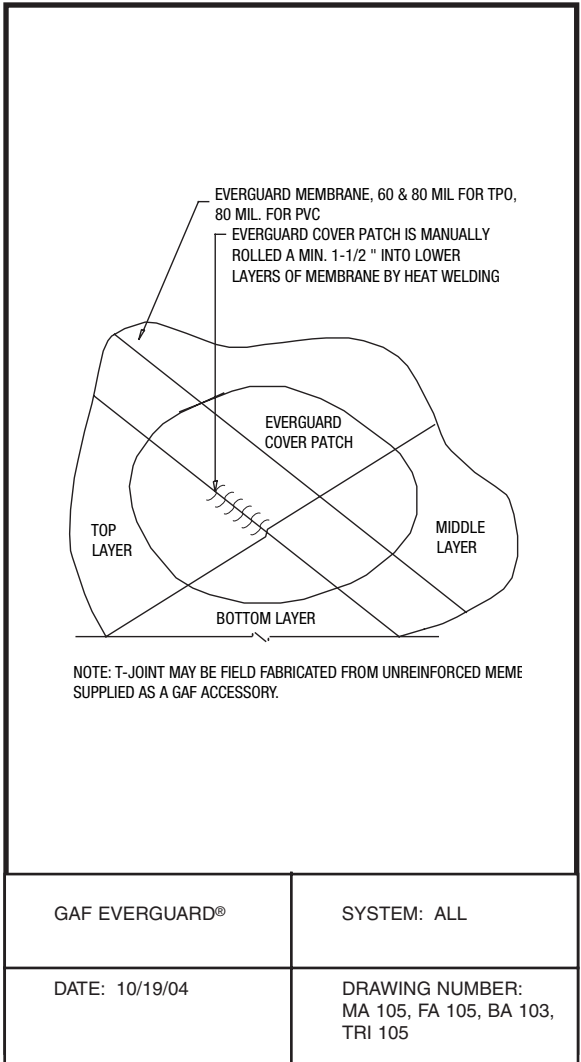


NOTE:  
EG PVC & TPO SMOOTH-BACKED MEMBRANES ONLY

GAF EVERGUARD®	SYSTEM: FA/BA
DATE: 10/19/04	DRAWING NUMBER: FA 104

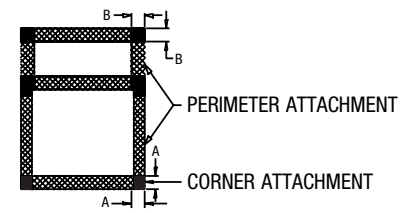
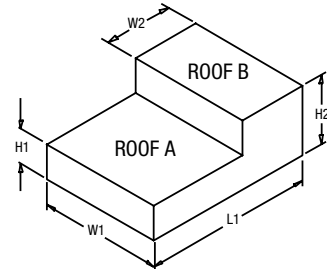
**Roofing Details**  
TPO & PVC

**T-JOINT COVER PATCH DETAIL**



**Roofing Details**  
TPO & PVC

### ROOF AREA ZONE LAYOUT

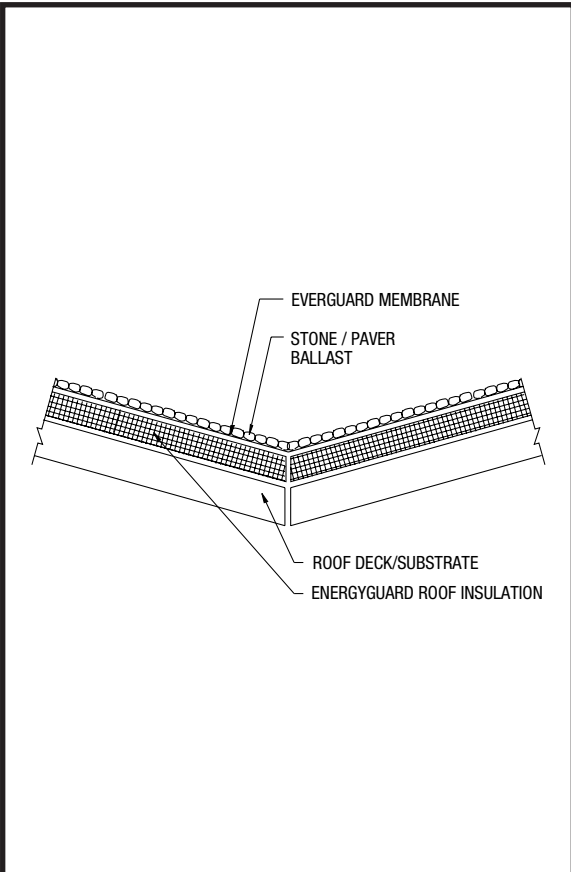


NOTES:  
 WINDSTORM RESISTANCE DESIGN AS REQUIRED BY SPEC. OR SHALL BE DETERMINED FROM FM PREVENTION DATA SHEET 1-29  
 WIDTH OF PERIMETER TREATMENT SHALL BE 10% OF THE BUILDING NARROWEST WIDTH OR 40% OF THE BUILDING EAVE HEIGHT, WHICHEVER IS LESS. FOR EXAMPLE ABOVE:  $B = 0.4H2$  OR  $0.1W2$   $A = 0.4H1$  OR  $0.1W1$

GAF EVERGUARD®	SYSTEM: ALL
DATE: 10/19/04	DRAWING NUMBER: MA 106, BA 104, FA 106, TRI 106

**Roofing Details**  
 TPO & PVC

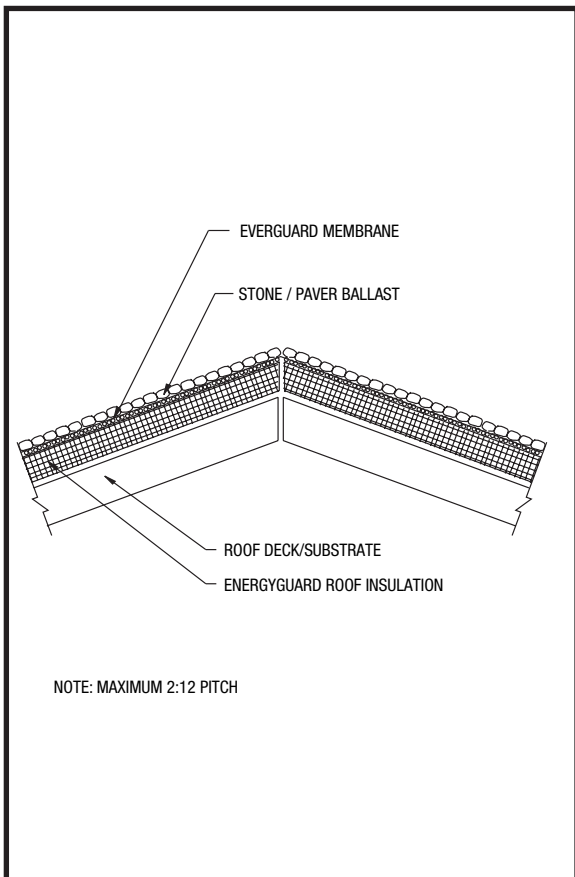
### VALLEY DETAIL



GAF EVERGUARD®	SYSTEM: BA
DATE: 10/19/04	DRAWING NUMBER: BA 106

**Roofing Details**  
TPO & PVC

### RIDGE FLASHING DETAIL



NOTE: MAXIMUM 2:12 PITCH

GAF EVERGUARD®	SYSTEM: BA
DATE: 10/19/04	DRAWING NUMBER: BA 107