

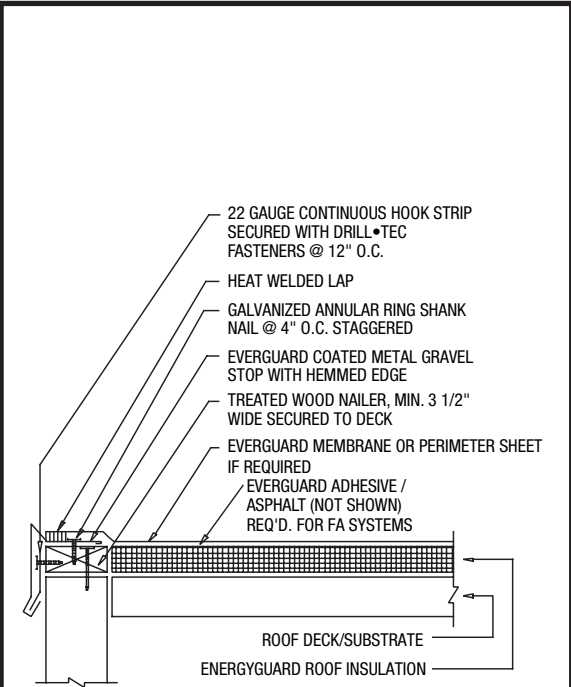
EverGuard® Ballast Applied Roofing Details

Diagrams



*Quality You Can Trust Since 1886...
From North America's Largest Roofing Manufacturer™*

COATED METAL ROOF EDGE

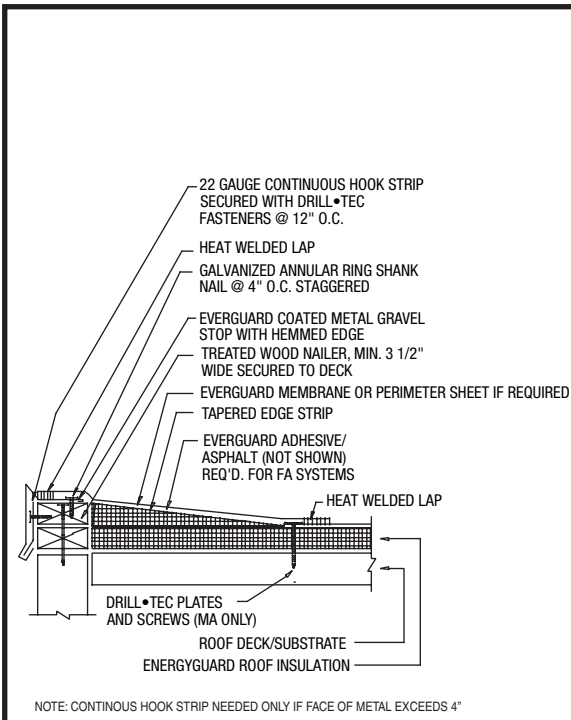


NOTE: CONTINUOUS HOOK STRIP NEEDED ONLY IF FACE OF METAL EXCEEDS 4"

GAF EVERGUARD®	SYSTEM: MA/FA/BA
DATE: 10/19/04	DRAWING NUMBER: MA 202, FA 201, BA 201

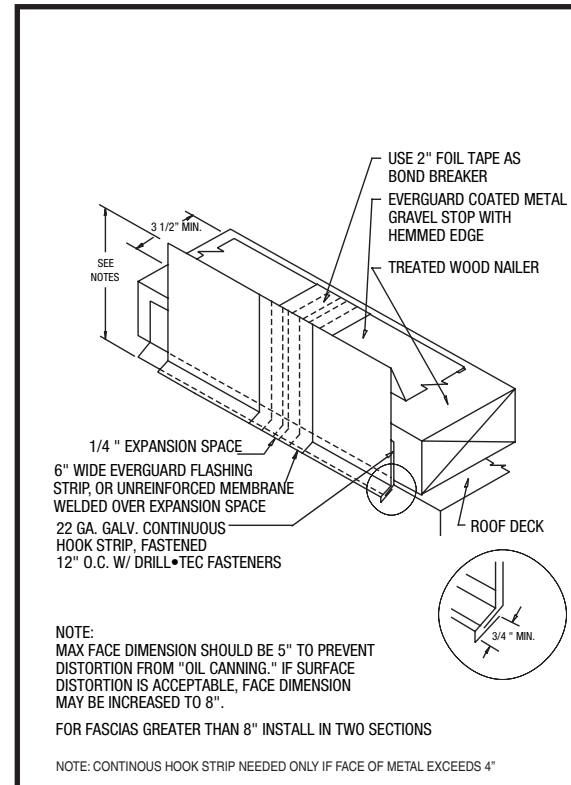
Roofing Details
 TPO & PVC

COATED METAL TAPERED EDGE



GAF EVERGUARD®	SYSTEM: MA/FA/BA
DATE: 10/19/04	DRAWING NUMBER: MA 203, FA 203, BA 203

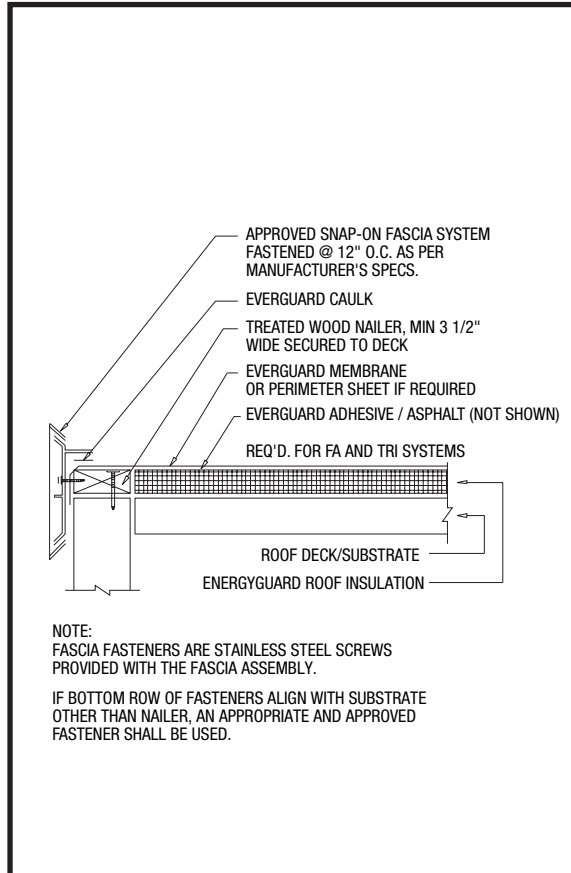
COATED METAL JOINT DETAIL



GAF EVERGUARD®	SYSTEM: ALL
DATE: 10/19/04	DRAWING NUMBER: MA 204, FA 204, BA 309, TRI 204

Roofing Details
TPO & PVC

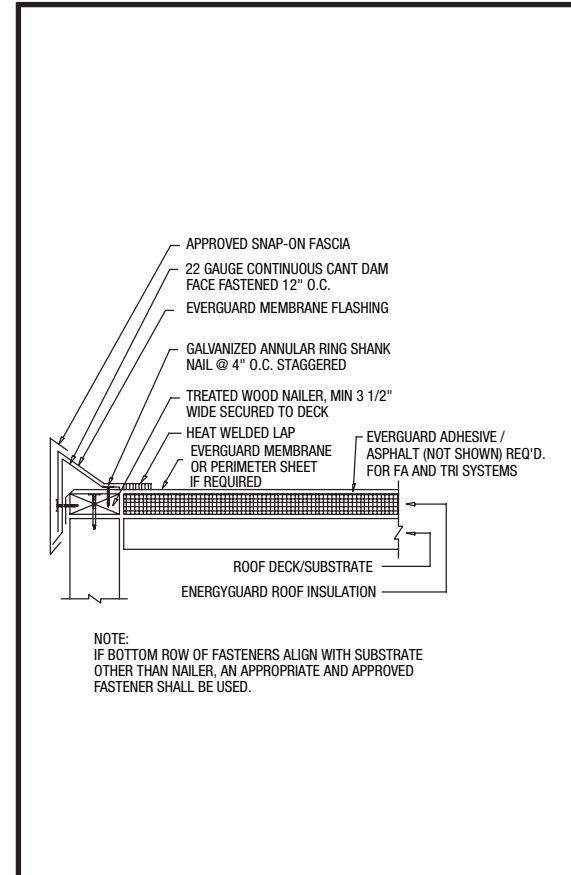
SNAP-ON FASCIA ROOF EDGE



NOTE:
 FASCIA FASTENERS ARE STAINLESS STEEL SCREWS PROVIDED WITH THE FASCIA ASSEMBLY.
 IF BOTTOM ROW OF FASTENERS ALIGN WITH SUBSTRATE OTHER THAN NAILER, AN APPROPRIATE AND APPROVED FASTENER SHALL BE USED.

GAF EVERGUARD®	SYSTEM: MA/FA/BA/CA
DATE: 10/19/04	DRAWING NUMBER: MA 205, FA 205, BA 205, TRI 205

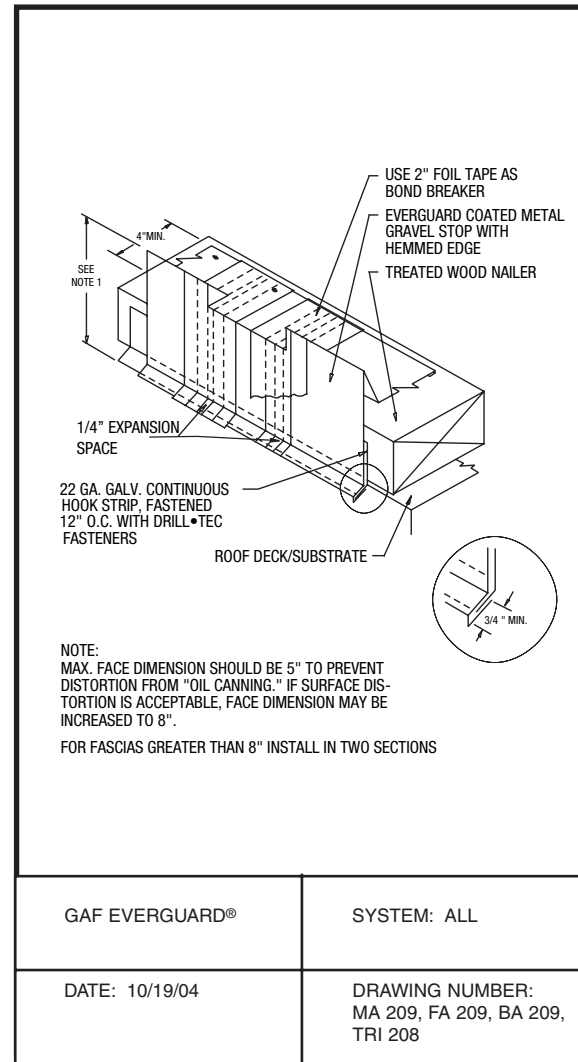
SNAP-ON FASCIA ROOF EDGE



NOTE:
 IF BOTTOM ROW OF FASTENERS ALIGN WITH SUBSTRATE OTHER THAN NAILER, AN APPROPRIATE AND APPROVED FASTENER SHALL BE USED.

GAF EVERGUARD®	SYSTEM: MA/FA/BA/TRI
DATE: 10/19/04	DRAWING NUMBER: MA 206, FA 206, BA 206, TRI 206

COATED METAL EDGE SCUPPER



Roofing Details
 TPO & PVC