

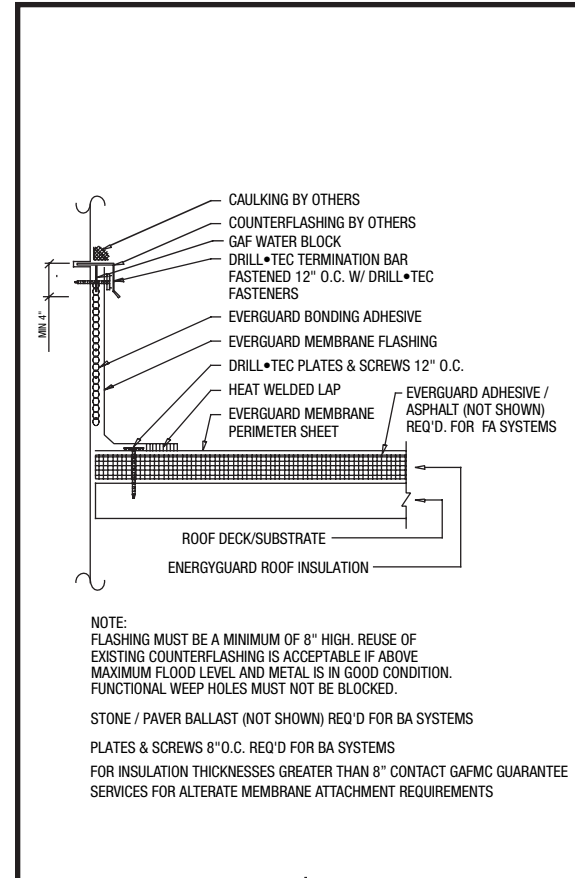
EverGuard® Ballast Applied Roofing Details

Diagrams



*Quality You Can Trust Since 1886...
From North America's Largest Roofing Manufacturer™*

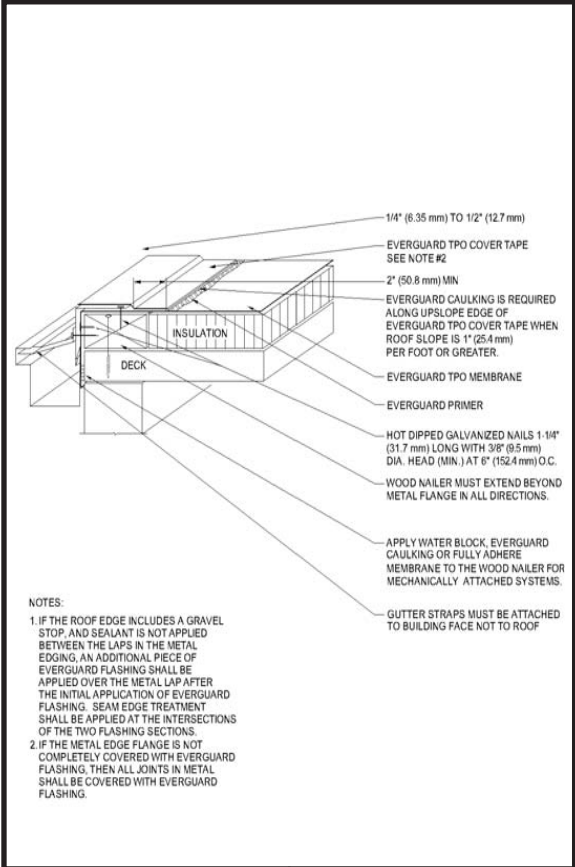
WALL FLASHING WITH COUNTERFLASHING



GAF EVERGUARD®	SYSTEM: MA/FA/BA
DATE: 10/19/04	DRAWING NUMBER: MA 301, FA 301, BA 301

Roofing Details
 TPO & PVC

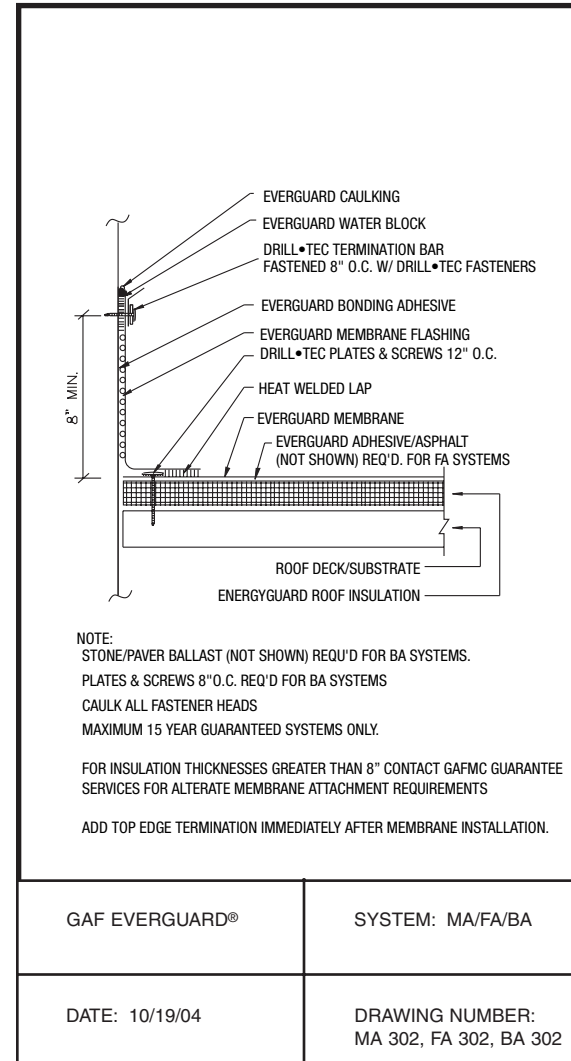
GUTTER EDGE WITH TPO COVER TAPE



GAF EVERGUARD®	SYSTEM: BA
DATE: 10/19/04	DRAWING NUMBER: EG-214

Roofing Details
 TPO & PVC

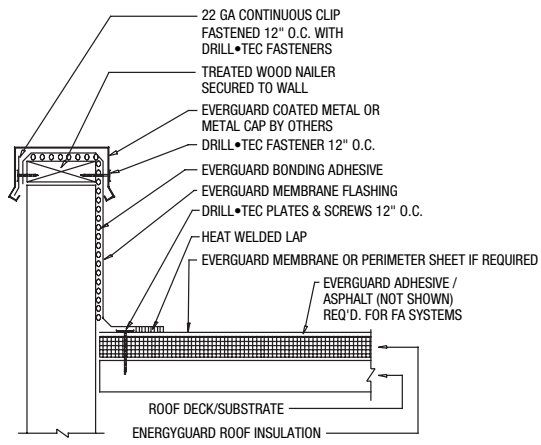
WALL FLASHING WITH TERMINATION BAR



Roofing Details

TPO & PVC

WALL FLASHING WITH COPING



NOTE:
PLATES & SCREWS 8" O.C. REQ'D FOR BA SYSTEMS

FOR INSULATION THICKNESSES GREATER THAN 8" CONTACT GAFMC GUARANTEE SERVICES FOR ALTERATE MEMBRANE ATTACHMENT REQUIREMENTS

GAF EVERGUARD®

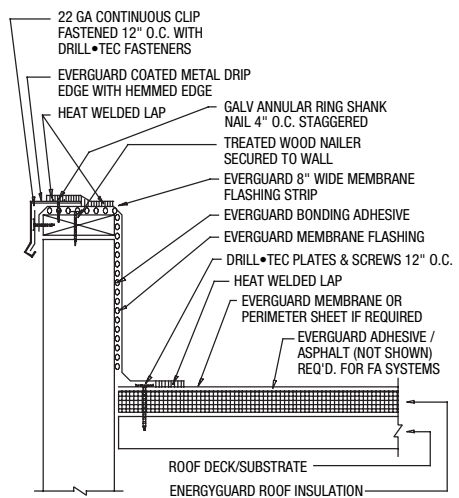
SYSTEM: MA/FA/BA

DATE: 10/19/04

DRAWING NUMBER:
MA 303, FA 303, BA 303

Roofing Details
TPO & PVC

WALL FLASHING WITH COATED METAL EDGE



NOTE:
STONE / PAVER BALLAST (NOT SHOWN) REQ'D FOR BA SYSTEMS
PLATES & SCREWS 8" O.C. REQ'D FOR BA SYSTEMS

FOR INSULATION THICKNESSES GREATER THAN 8" CONTACT GAFMC GUARANTEE
SERVICES FOR ALTERATE MEMBRANE ATTACHMENT REQUIREMENTS

NOTE: CONTINUOUS HOOK STRIP NEEDED ONLY IF FACE OF METAL EXCEEDS 4"

GAF EVERGUARD®

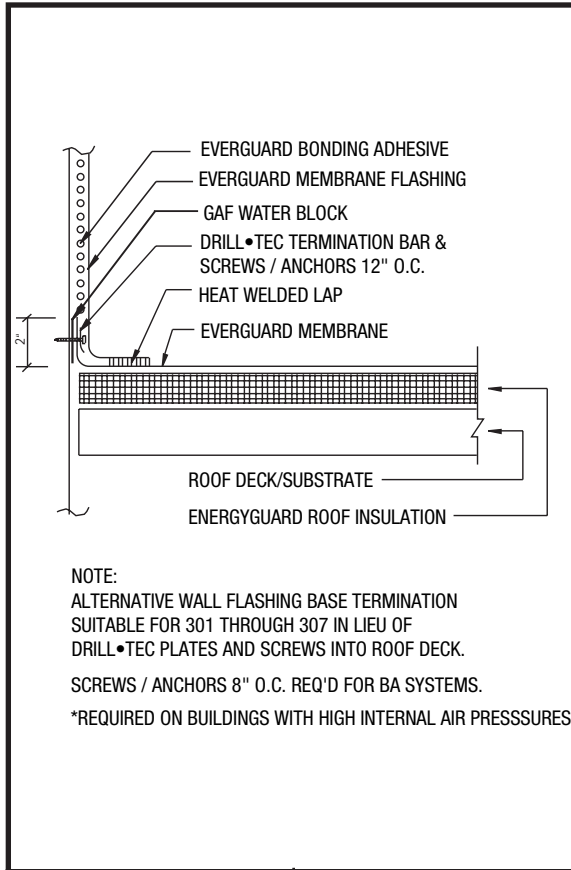
SYSTEM: MA/FA/BA

DATE: 10/19/04

DRAWING NUMBER:
MA 304, FA 304, BA 304

Roofing Details
TPO & PVC

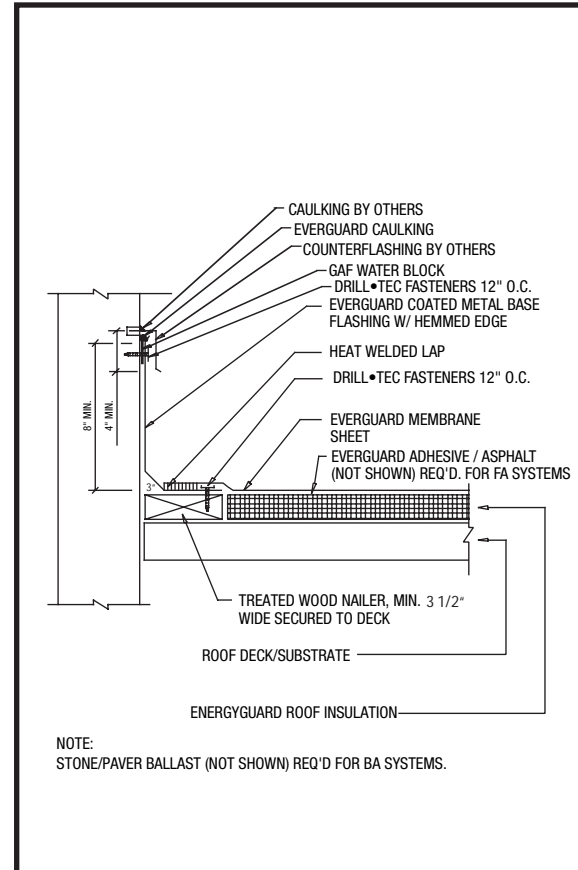
ALTERNATE WALL BASE TERMINATION



NOTE:
 ALTERNATIVE WALL FLASHING BASE TERMINATION
 SUITABLE FOR 301 THROUGH 307 IN LIEU OF
 DRILL•TEC PLATES AND SCREWS INTO ROOF DECK.
 SCREWS / ANCHORS 8" O.C. REQ'D FOR BA SYSTEMS.
 *REQUIRED ON BUILDINGS WITH HIGH INTERNAL AIR PRESSURES.

GAF EVERGUARD®	SYSTEM: ALL
DATE: 10/19/04	DRAWING NUMBER: MA 307, FA 307, BA 307, TRI 306

COATED METAL WALL FLASHING

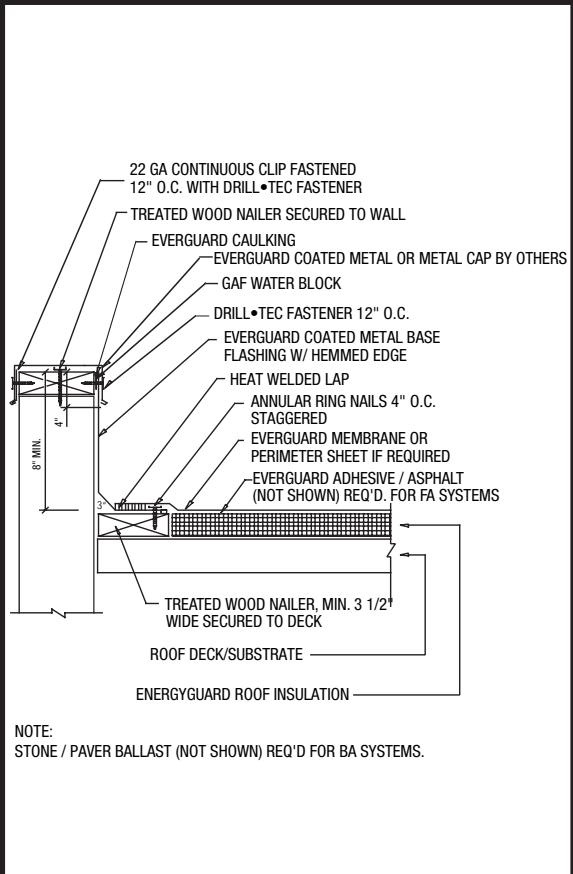


NOTE:
 STONE/PAVER BALLAST (NOT SHOWN) REQ'D FOR BA SYSTEMS.

GAF EVERGUARD®	SYSTEM: MA/FA/BA
DATE: 10/19/04	DRAWING NUMBER: MA 308, FA 308, BA 308

Roofing Details
 TPO & PVC

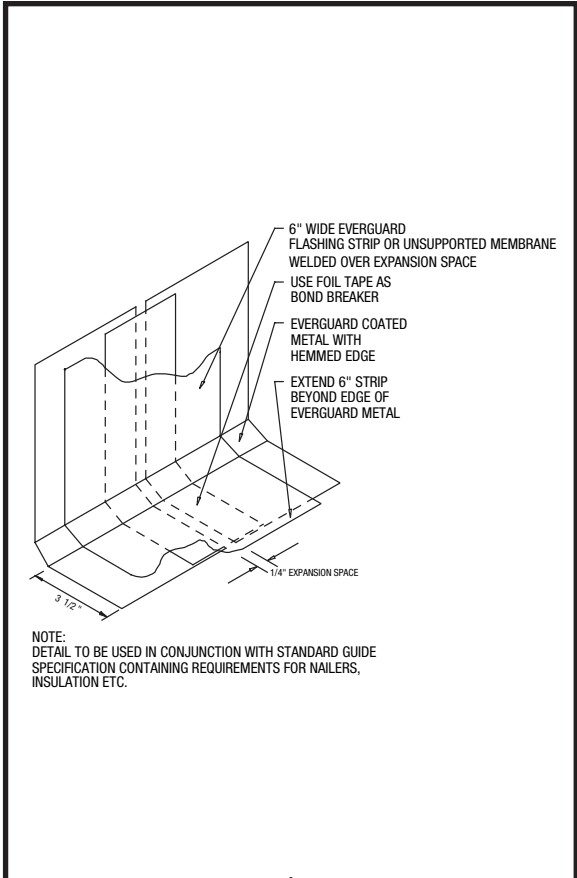
COATED METAL CAP FLASHING



GAF EVERGUARD®	SYSTEM: MA/FA/BA
DATE: 10/19/04	DRAWING NUMBER: MA 309, FA 309, BA 308

Roofing Details
 TPO & PVC

COATED METAL JOINT DETAIL

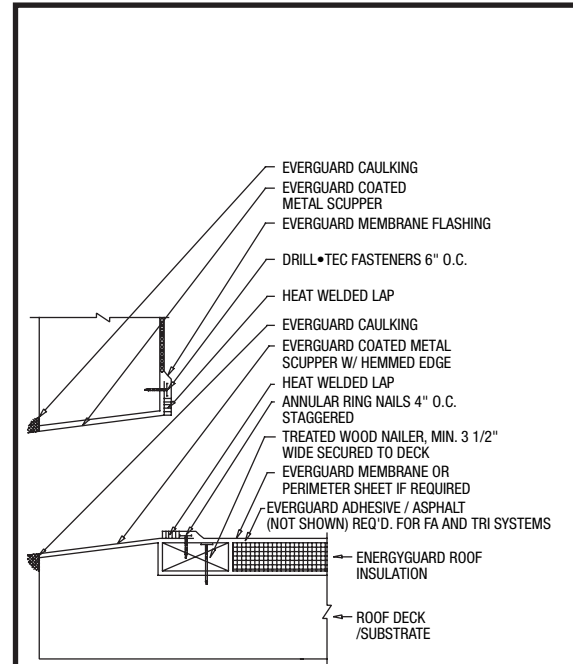


NOTE:
 DETAIL TO BE USED IN CONJUNCTION WITH STANDARD GUIDE SPECIFICATION CONTAINING REQUIREMENTS FOR NAILERS, INSULATION ETC.

GAF EVERGUARD®	SYSTEM: ALL
DATE: 10/19/04	DRAWING NUMBER: MA 310, FA 310, BA 310, TRI 309

Roofing Details
 TPO & PVC

COATED METAL WALL SCUPPER

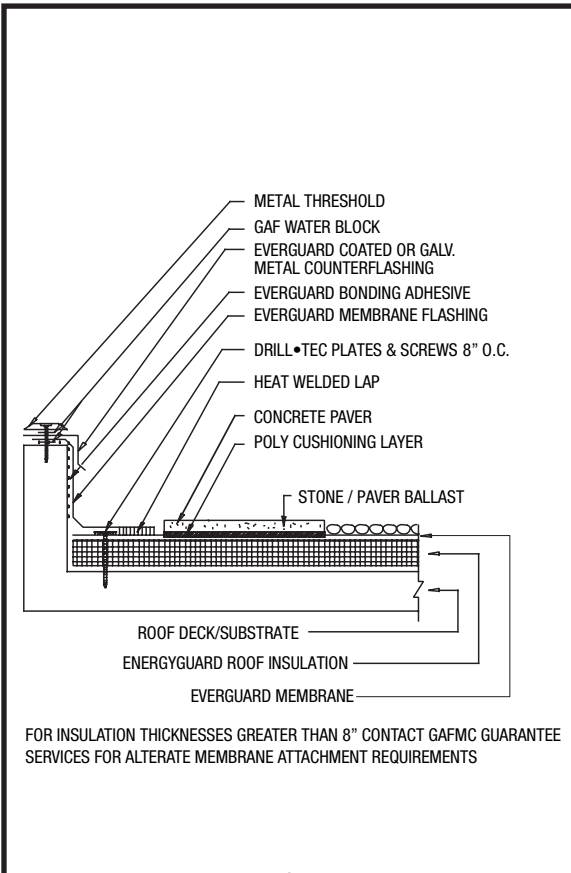


NOTE: REMEMBER TO INSTALL EVERGUARD UNREINFORCED OR PREMANUFACTURED OUTSIDE CORNERS TO THE SCUPPERS FOUR ROOF SIDE CORNERS

GAF EVERGUARD®	SYSTEM: MA/FA/BA
DATE: 10/19/04	DRAWING NUMBER: MA 311, FA 311, BA 311

Roofing Details
 TPO & PVC

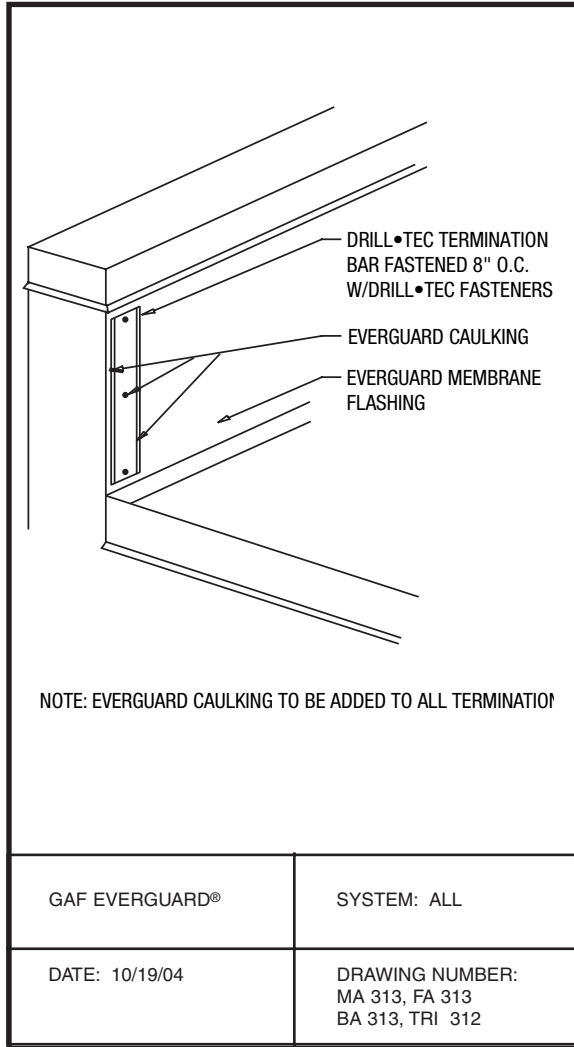
THRESHOLD FLASHING



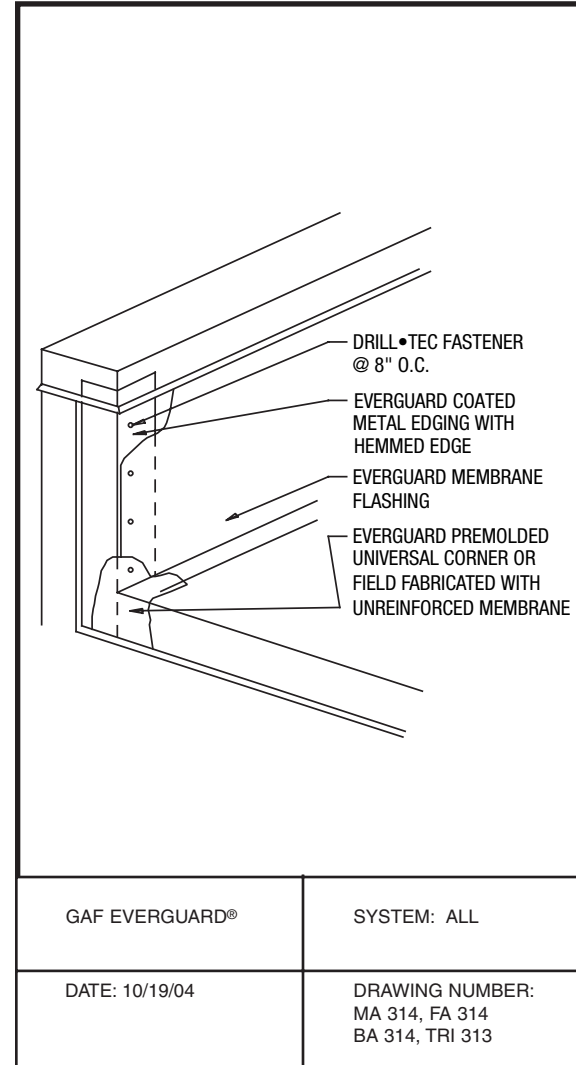
GAF EVERGUARD®	SYSTEM: BA
DATE: 10/19/04	DRAWING NUMBER: BA 312

Roofing Details
TPO & PVC

**WALL FLASHING WITH
TERMINATION BAR**

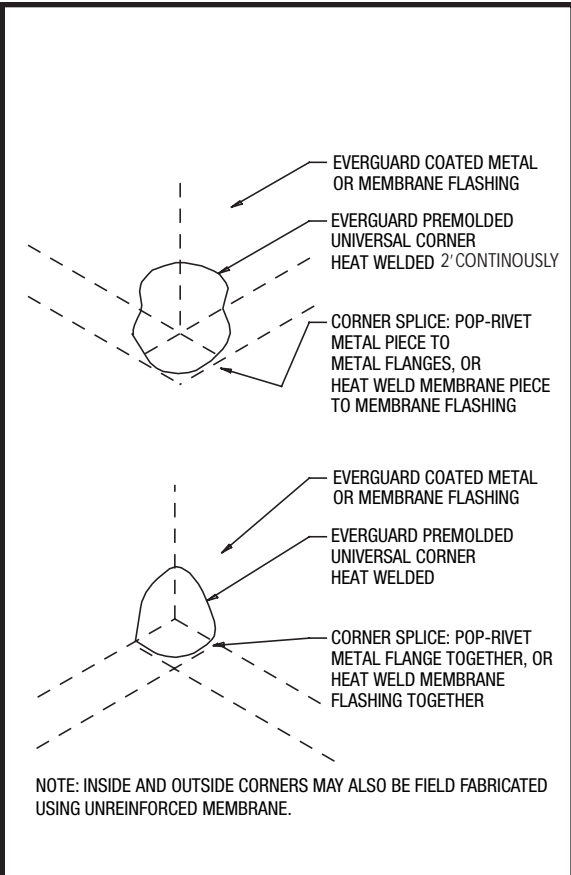


**WALL FLASHING WITH COATED
METAL EDGE**



Roofing Details
TPO & PVC

**WALL/CURB CORNER
REINFORCEMENT**



GAF EVERGUARD®	SYSTEM: ALL
DATE: 10/19/04	DRAWING NUMBER: MA 315, FA 315 BA 315, TRI 314