

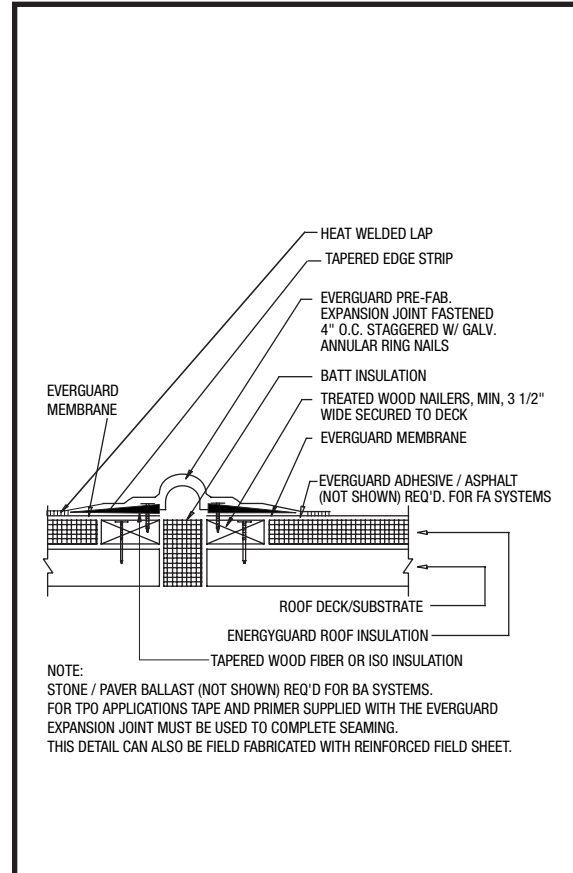
# EverGuard® Ballast Applied Roofing Details

## Diagrams



*Quality You Can Trust Since 1886...  
From North America's Largest Roofing Manufacturer™*

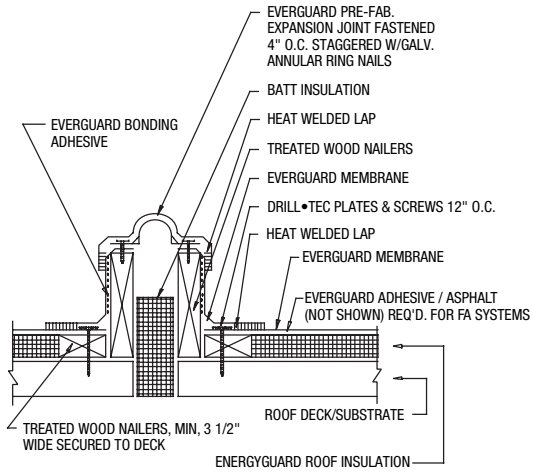
### EXPANSION JOINT-FLAT TYPE



GAF EVERGUARD®	SYSTEM: MA/FA/BA
DATE: 10/19/04	DRAWING NUMBER: MA 401, FA 401, BA 401

**Roofing Details**  
 TPO & PVC

## EXPANSION JOINT – CURB TYPE



NOTE:  
 STONE / PAVER BALLAST (NOT SHOWN) REQ'D FOR BA SYSTEMS.  
 PLATES & SCREWS 8"O.C. REQ'D FOR BA SYSTEMS  
 FOR TPO APPLICATIONS TAPE AND PRIMER SUPPLIED WITH THE EVERGUARD  
 EXPANSION JOINT MUST BE USED TO COMPLETE SEAMING OF THE VERTICAL SEAM.  
 THIS DETAIL CAN ALSO BE FIELD FABRICATED WITH REINFORCED FIELD SHEET.

GAF EVERGUARD®

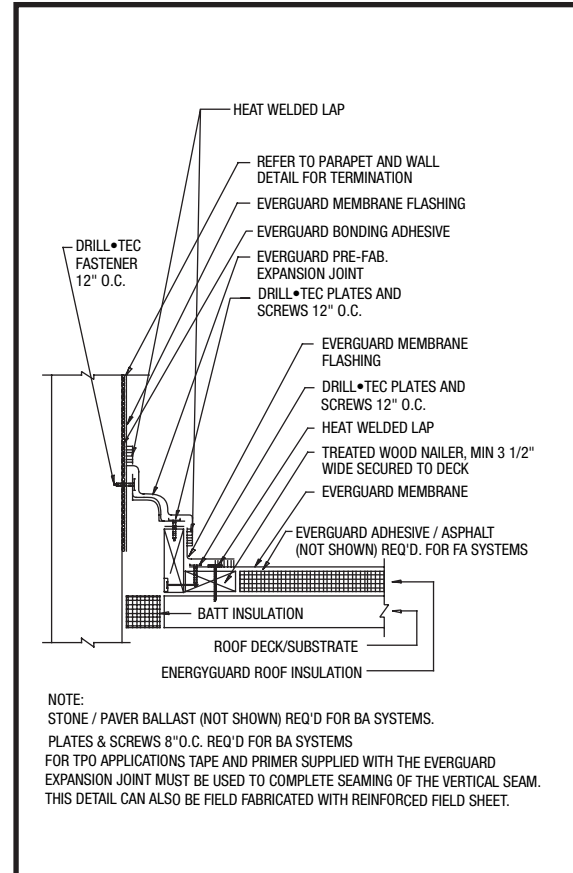
SYSTEM: MA/FA/BA

DATE: 10/19/04

DRAWING NUMBER:  
 MA 402, FA 402, BA 402

**Roofing Details**  
 TPO & PVC

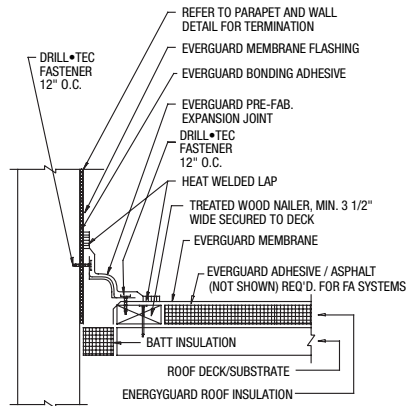
**WALL EXPANSION JOINT – CURB TYPE**



GAF EVERGUARD®	SYSTEM: MA/FA/BA
DATE: 10/19/04	DRAWING NUMBER: MA 404, FA 404, BA 404

**Roofing Details**  
 TPO & PVC

## WALL EXPANSION JOINT – FLAT TYPE



NOTE:  
 STONE / PAVER BALLAST (NOT SHOWN) REQ'D FOR BA SYSTEMS.  
 EVERGUARD ADHESIVE / FOR TPO APPLICATIONS TAPE AND PRIMER SUPPLIED WITH THE EVERGUARD  
 EXPANSION JOINT MUST BE USED TO COMPLETE SEAMING OF THE VERTICAL SEAM.  
 THIS DETAIL CAN ALSO BE FIELD FABRICATED WITH REINFORCED FIELD SHEET.

GAF EVERGUARD®

SYSTEM: MA/FA/BA

DATE: 10/19/04

DRAWING NUMBER:  
 MA 403, FA 403, BA 403