

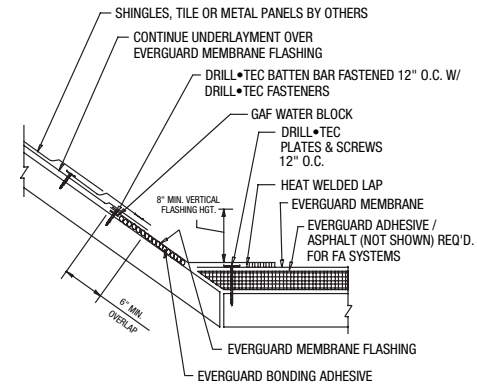
EverGuard® Ballast Applied Roofing Details

Diagrams



*Quality You Can Trust Since 1886...
From North America's Largest Roofing Manufacturer™*

TERMINATION AT SLOPED ROOF



NOTE :
 MINIMUM SLOPE IS 3" : 12"
 STONE /PAVER BALLAST (NOT SHOWN) REQ'D FOR BA SYSTEMS
 PLATES & SCREWS 8"O.C. REQ'D FOR BA SYSTEMS
 FOR INSULATION THICKNESSES GREATER THAN 8" CONTACT GAFMC GUARANTEE SERVICES FOR ALTERATE MEMBRANE ATTACHMENT REQUIREMENTS

GAF EVERGUARD®

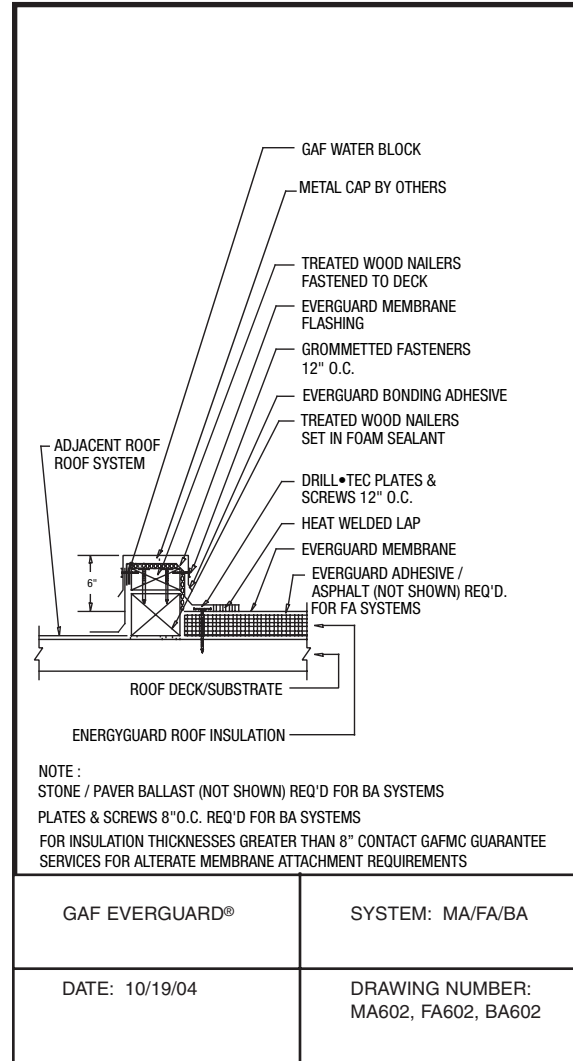
SYSTEM: MA/FA/BA

DATE: 10/19/04

DRAWING NUMBER:
 MA 601, FA 601, BA 601

Roofing Details
 TPO & PVC

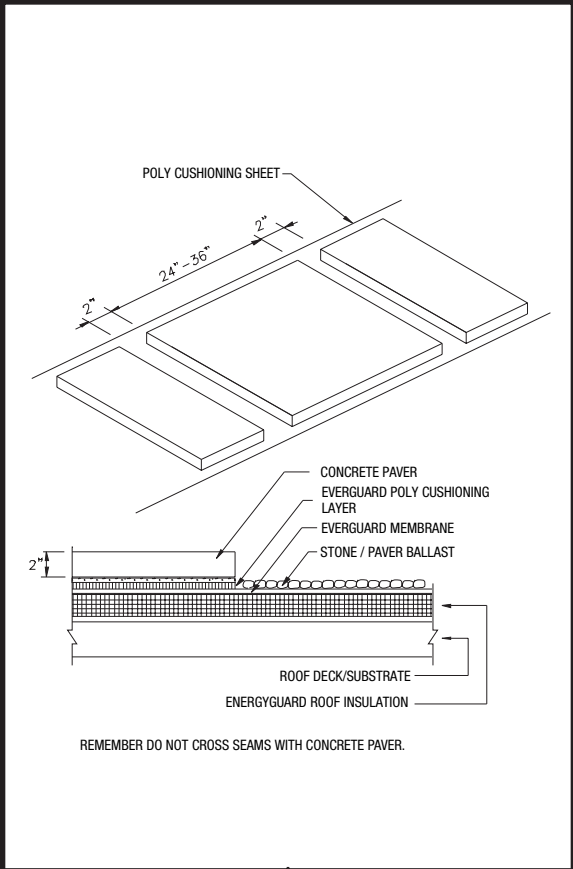
TERMINATION AT FLAT ROOF



Roofing Details

TPO & PVC

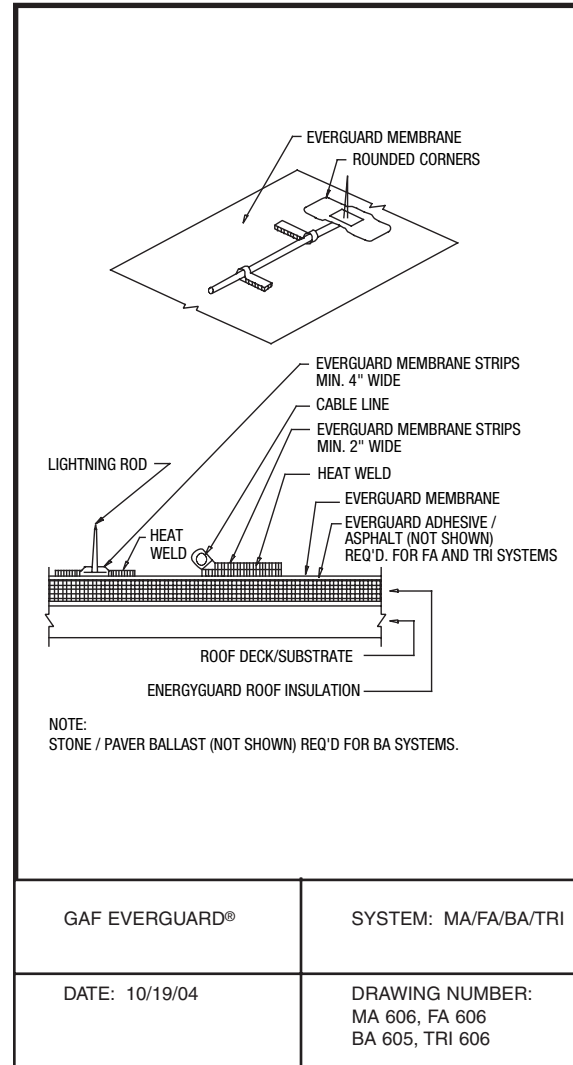
PAVER WALKWAY INSTALLATION



GAF EVERGUARD®	SYSTEM: BA
DATE: 10/19/04	DRAWING NUMBER: BA 603

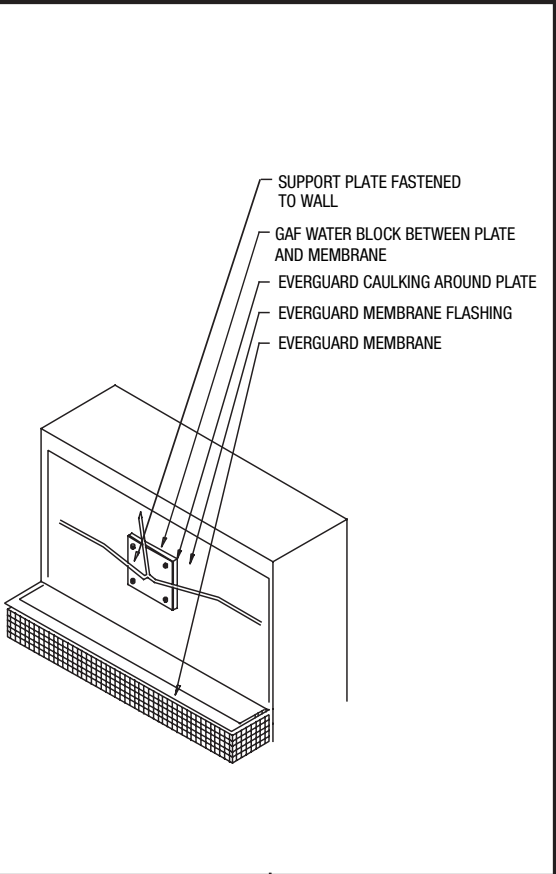
Roofing Details
 TPO & PVC

LOOPED LIGHTNING SUPPRESSION MOUNTING



Roofing Details
TPO & PVC

**FASTENED LIGHTNING
SUPPRESSION MOUNTING**



GAF EVERGUARD®

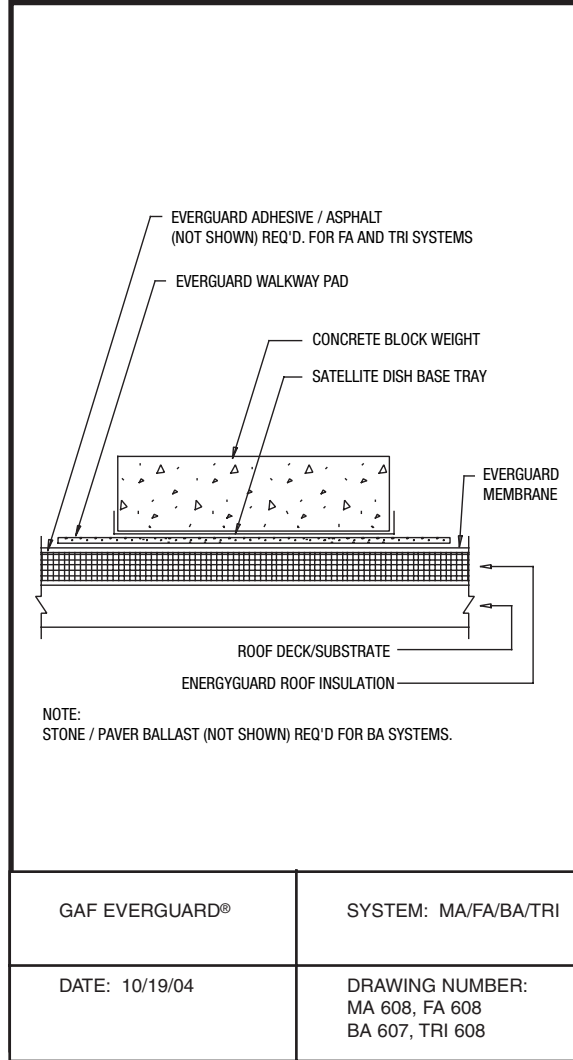
SYSTEM: ALL

DATE: 10/19/04

DRAWING NUMBER:
MA 607, FA 607
BA 606, TRI 607

Roofing Details
TPO & PVC

SATELLITE DISH MOUNTING



Roofing Details
TPO & PVC