

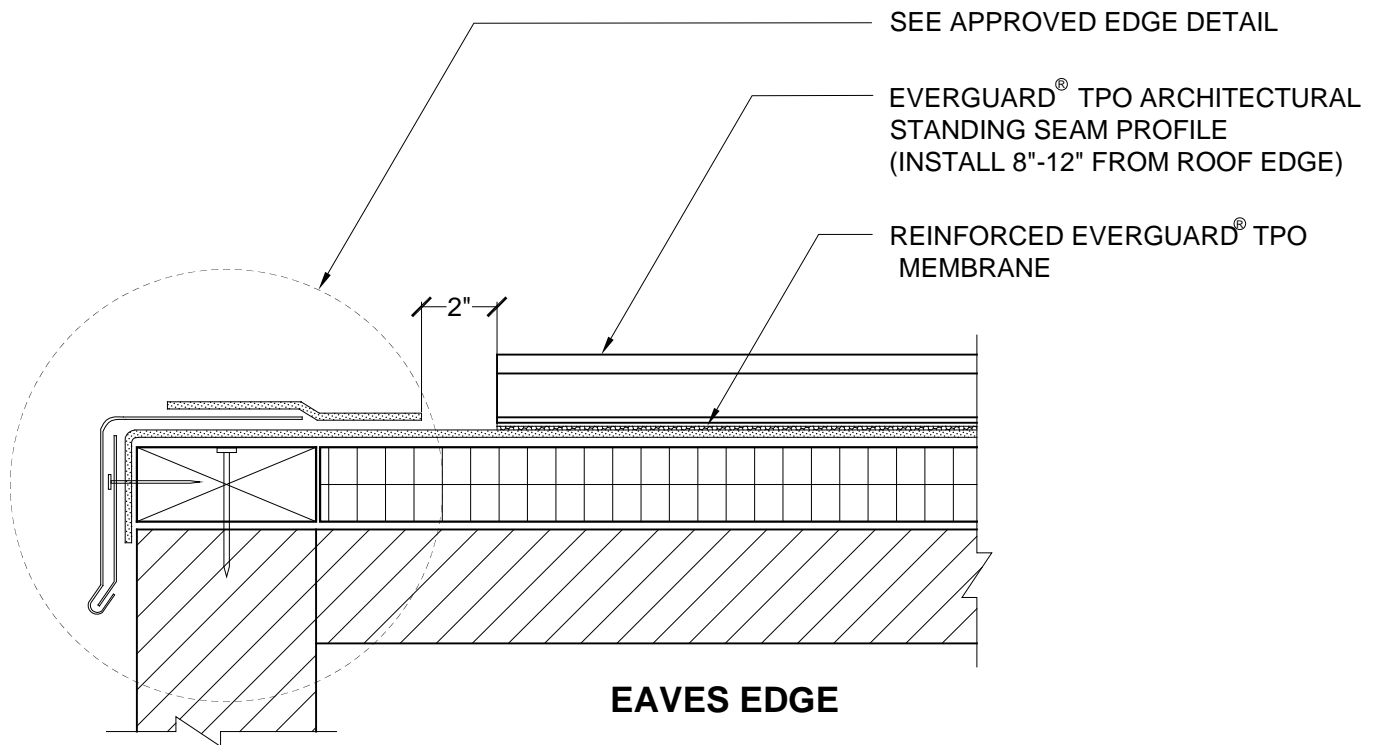
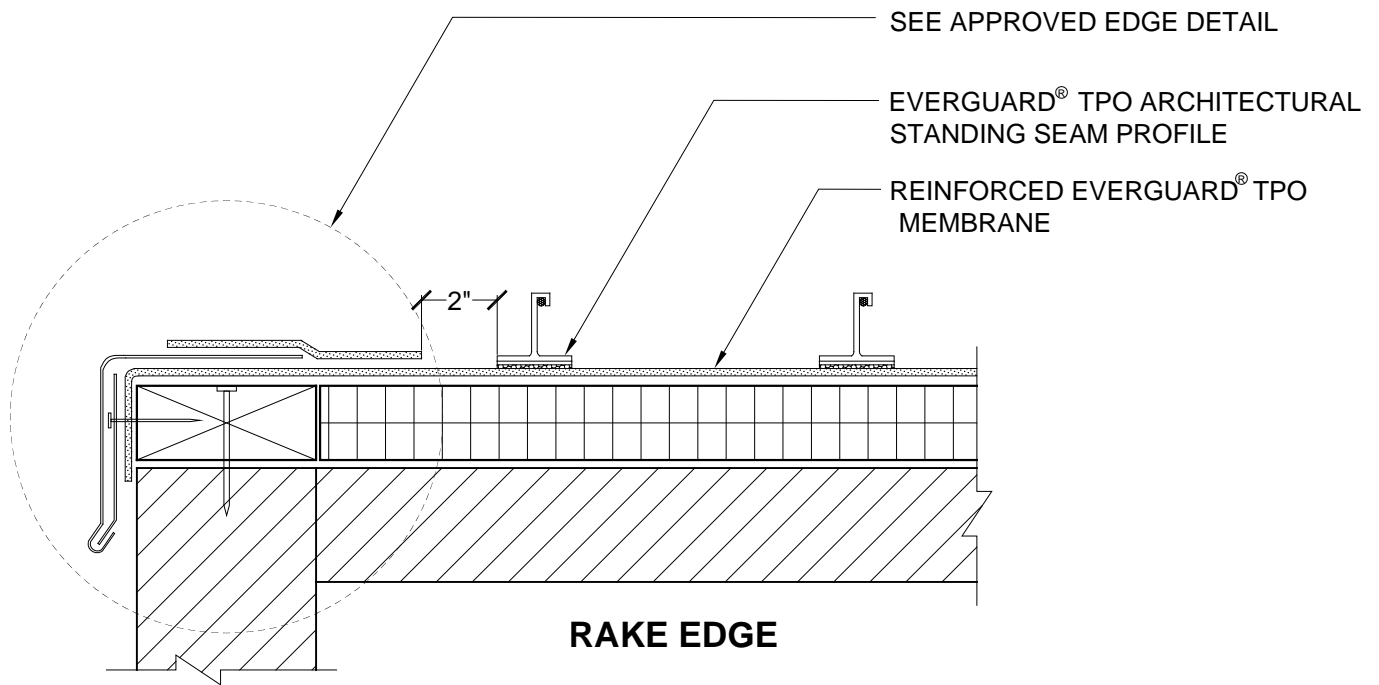
EverGuard®  
Rake and Eave Edge Detail  
SSP 002

Diagram

Updated: 7/09



*Quality You Can Trust Since 1886...  
From North America's Largest Roofing Manufacturer™*



**NOTE:**

1. EVERGUARD® COATED METAL IS AVAILABLE IN MATCHING COLORS TO FIELD MEMBRANE AND STANDING SEAM PROFILE IF NEEDED REFER TO EVERGUARD EDGE DETAILS - 200 SERIES
2. WHITE COVER TAPE MAY BE USED WITH A MAXIMUM 15 YEAR WARRANTY.

 <b>GAF</b> <small>GAF MATERIALS CORPORATION www.gaf.com</small>	 <b>EverGuard</b> <small>SINGLE-PLY ROOFING SYSTEMS</small>	<b>RAKE &amp; EAVE EDGE DETAIL</b>	DRAWING #	SYSTEM
			002	SSP
ARCHITECTURAL STANDING SEAM PROFILE SERIES		TPO ONLY	SCALE	ISSUE/ REVISION DATE
			N.T.S.	7-01-09