

EverGuard®  
Valley and Ridge Detail  
SSP 004

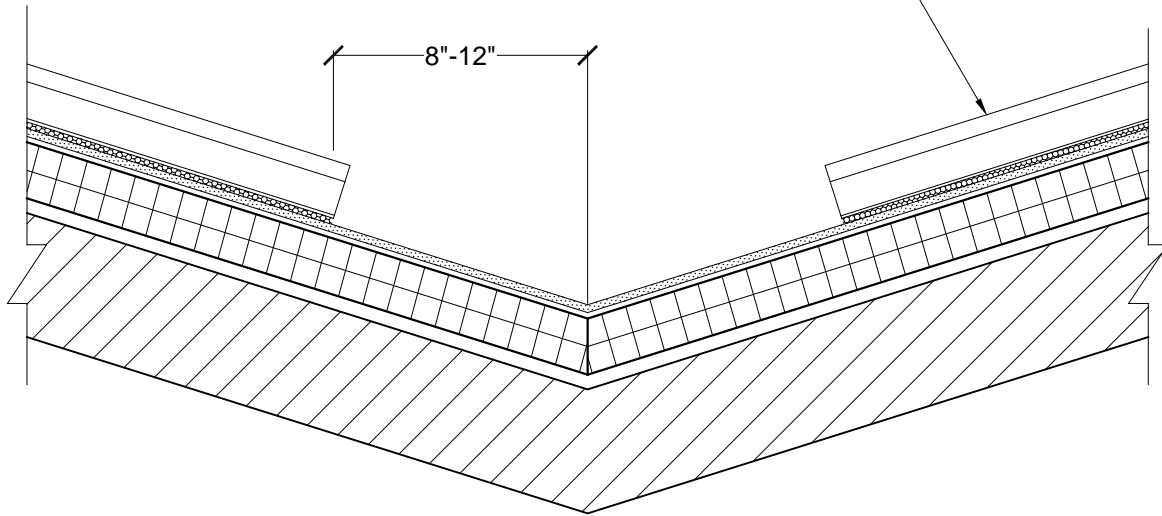
Diagram

Updated: 7/09

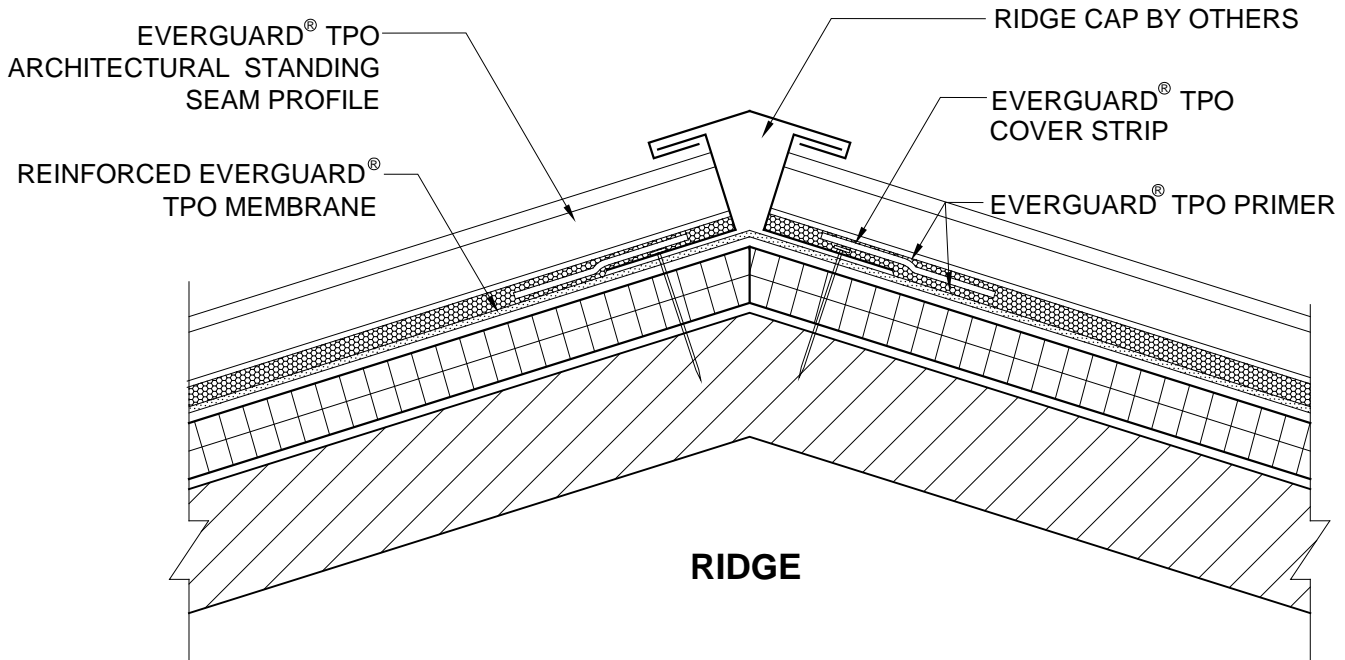


*Quality You Can Trust Since 1886...  
From North America's Largest Roofing Manufacturer™*

EVERGUARD® TPO ARCHITECTURAL  
STANDING SEAM PROFILE



**VALLEY**



**RIDGE**

**NOTE:**

1. EVERGUARD® COATED METAL IS AVAILABLE IN MATCHING COLORS TO FIELD MEMBRANE AND STANDING SEAM PROFILE IF NEEDED
2. WHITE COVER TAPE MAY BE USED WITH A MAXIMUM 15 YEAR WARRANTY.



ARCHITECTURAL  
STANDING SEAM  
PROFILE SERIES

**VALLEY & RIDGE DETAIL**

TPO ONLY

DRAWING #  
**004**

SCALE  
N.T.S.

SYSTEM  
**SSP**

ISSUE/ REVISION DATE  
7-01-09