

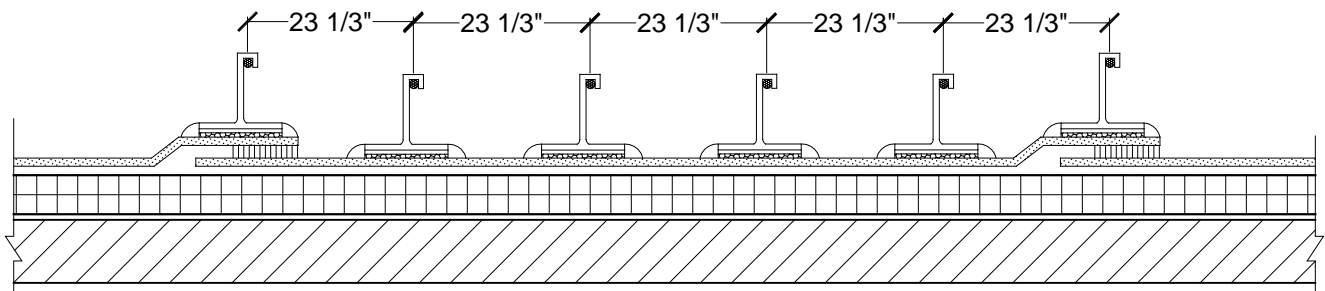
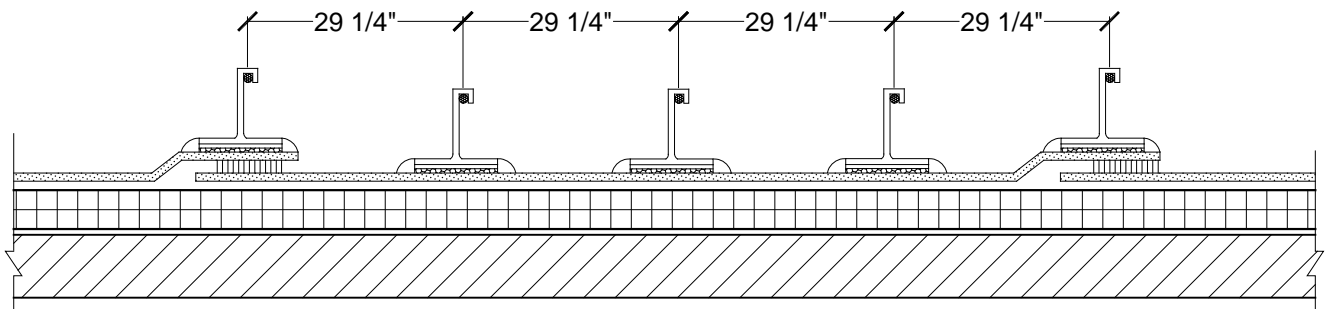
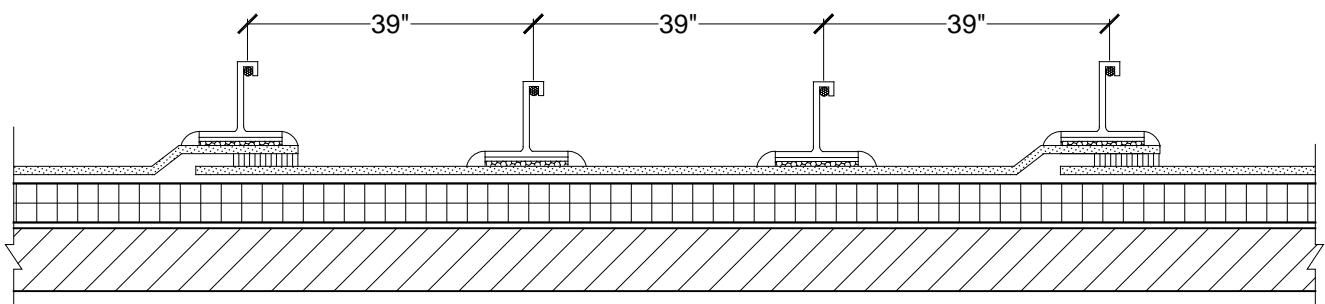
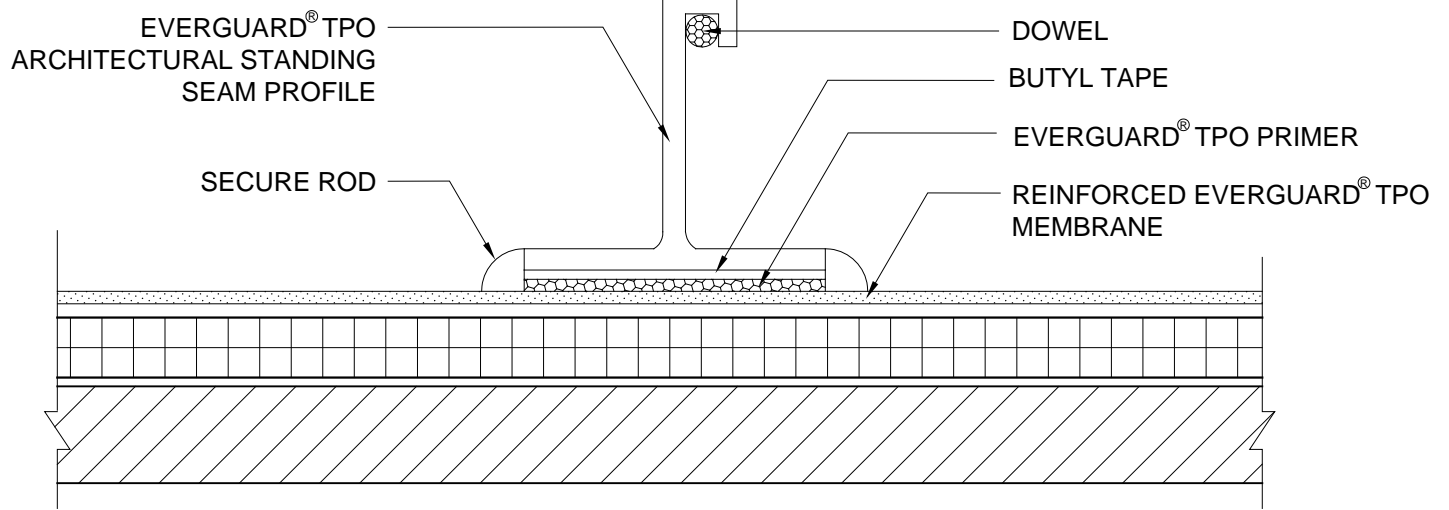
EverGuard®
Profile and Spacing Detail
SSP 005

Diagram

Updated: 7/09



*Quality You Can Trust Since 1886...
From North America's Largest Roofing Manufacturer™*



NOTE: 1. IF TPO SHEETS RUN PARALLEL WITH EAVE, PROFILES MAY CROSS OVER TPO SEAMS.



ARCHITECTURAL
STANDING SEAM
PROFILE SERIES

PROFILE & SPACING DETAIL

TPO ONLY

DRAWING #

005

SCALE

N.T.S.

SYSTEM

SSP

ISSUE/ REVISION DATE

7-01-09