

EverGuard®  
Lower Profile Securement  
SSP 006

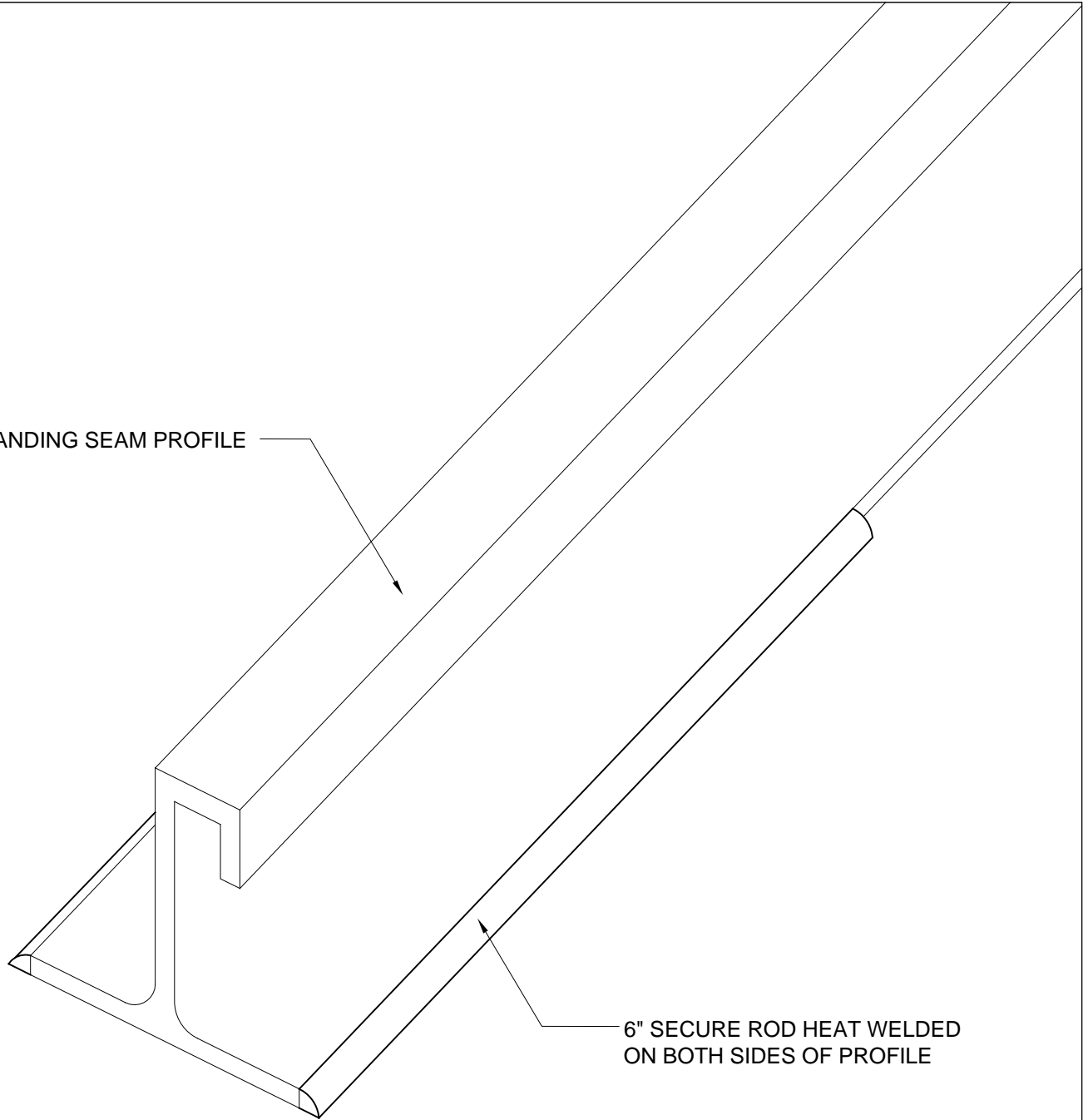
Diagram

Updated: 7/09



*Quality You Can Trust Since 1886...  
From North America's Largest Roofing Manufacturer™*

STANDING SEAM PROFILE



6" SECURE ROD HEAT WELDED  
ON BOTH SIDES OF PROFILE

**NOTE:**

1. BOTTOM OF PROFILE ALWAYS SECURED WITH 6" SECURE ROD OR CONTINUOUS SECURE ROD IF EXTENDED WARRANTY NEEDED



ARCHITECTURAL  
STANDING SEAM  
PROFILE SERIES

## LOWER PROFILE SECUREMENT

TPO ONLY

DRAWING #

006

SCALE

N.T.S.

SYSTEM

SSP

ISSUE/ REVISION DATE

7-01-09